

## Cooker hob S4000 Induction

Induction Hobs

Code: 7334 240



### DETAILS

Coloring Black

Edge/Installation Type Bevelled Edge - for flush-mount or over-mount installation

Material Ceramic glass

Dimensions 1100x350 mm

Base size 120cm

Heating element Four zones

Built-in hole [View technical data sheet](#)

Width 110 cm

Total power 7.400 W

Left Ø 210 mm-2.050 (2.500)\* (3.700)\*\* W

---

Centre-left Ø 210 mm-2.050 (2.500)\* (3.700)\*\* W

---

Centre-right Ø 180 mm-1.850 (2.300)\* (3.000)\*\* W

---

Right Ø 180 mm-1.850 (2.300)\* (3.000)\*\* W

---

Power settings 9 power settings per zone + double Powerboost

---

Safety Safety equipment

---

Type Induction Hob

---

Type of commands Touch Control

---

Notes: \* Powerboost  
\*\* Double Powerboost

---

## FEATURES

**Double powerboost** Two further levels of power up to 3700 W, to be used on a single zone or distributed over the entire Bridge extended area (where available).

---

**Pot detector** All induction cooker hobs detect the pot resting on them, but they also calculate the area they cover. This system allows the energy to be used even more efficiently. Moreover, the plates switch off automatically when the pot is removed.

---

**End-of-cooking programming** All operations are programmed by means of the touch-control on the glass itself. Each cooking plate is capable of independent programming, and thus the possibility to set different cooking times.

---

Timer Independent timer from the end-of-cooking function.

---

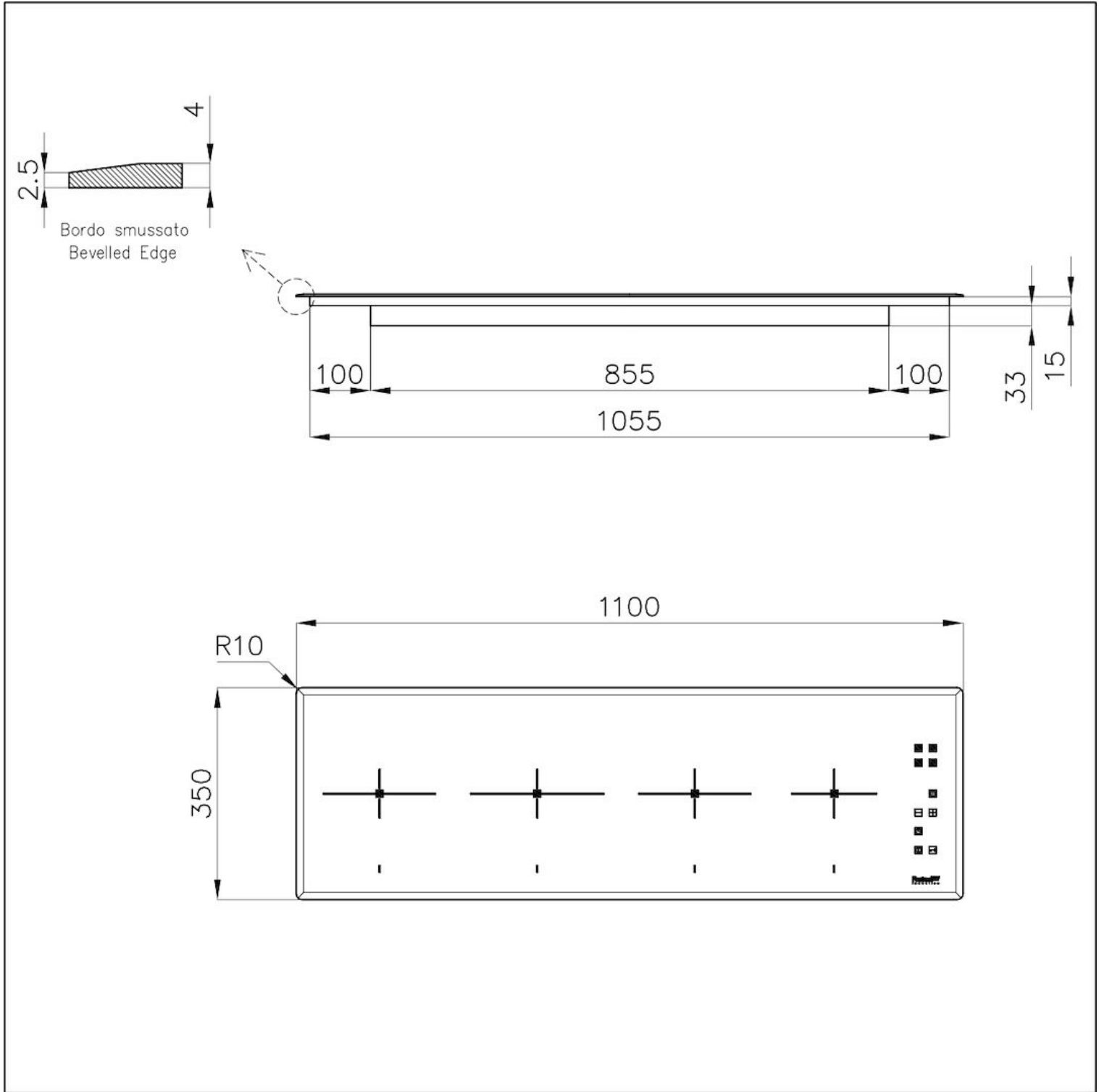
Smart fan system Correct ventilation is essential for the induction hob to function in the best possible way. The Foster system automatically regulates the amount of ventilation to suit the temperatures reached.

---

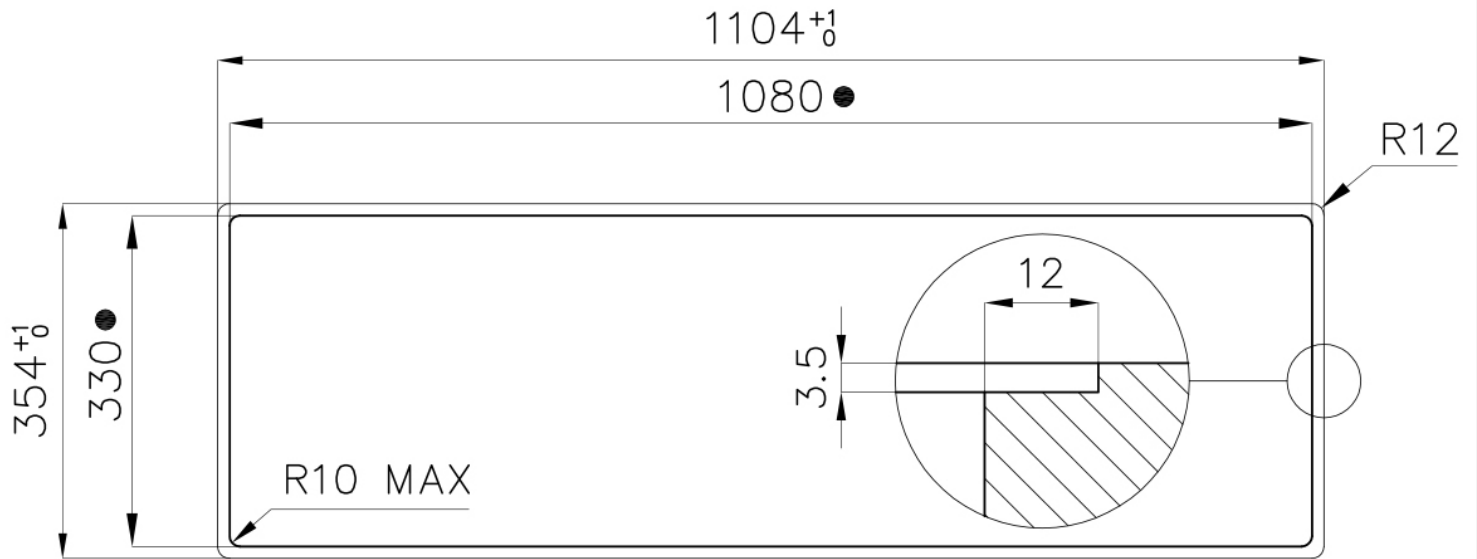
Safety All electric cooker hobs feature the most modern and sophisticated safety protections: Centralised power-off function; Child-proof safety lock; Residual heat warning lights. Induction models feature the following functions: Safety System that turn off the hob in the absence of the pot; Overflow detector that automatically turns off the plate in case of liquid overflow; Automatic deactivation to prevent accidents caused by forgetfulness.

---

## TECHNICAL DATA

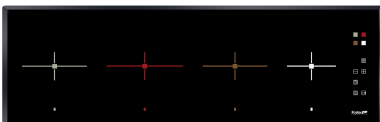


Cut out size  
Dimensioni per foratura top



- Built-in cut out for FTS – Foratura per installazione FTS

## GALLERY



## OPTIONAL ACCESSORIES



Induction Pro - Cookware set -  
8pcs

## RECOMMENDED PAIRINGS



Hood Ghost 120 Filotop



Sink Milanello workstation