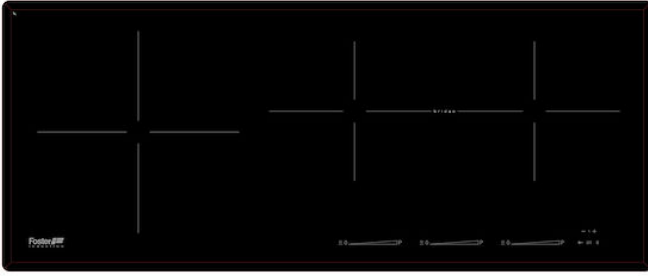


Cooker hob S4000 Induction Bridge

Induction Hobs

Code: 7330 255



DETAILS

Coloring Black

Edge/Installation Type Bevelled Edge - for flush-mount or over-mount installation

Material Ceramic glass

Dimensions 840x350 mm

Base size 90cm

Heating element Three zones

Built-in hole [View technical data sheet](#)

Width 84 cm

Total power 7.400 W

Left \varnothing 260 mm - 2.600 (3.600)* (3.700)** W

Centre 180x220 mm - 2.100 (2.600)* (3.700)** W

Right 180x220 mm - 2.100 (2.600)* (3.700)** W

Power settings 9 power settings per zone + double Powerboost

Safety Safety equipment

Type Induction Hob

Type of commands Touch Control

Notes: * Powerboost
** Double Powerboost

FEATURES

Double powerboost Two further levels of power up to 3700 W, to be used on a single zone or distributed over the entire Bridge extended area (where available).

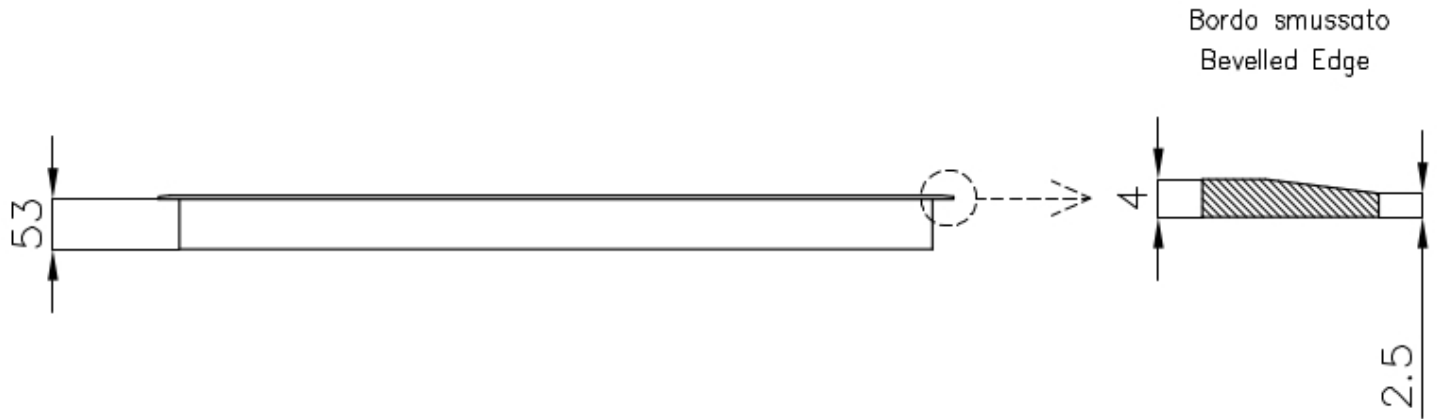
Pot detector All induction cooker hobs detect the pot resting on them, but they also calculate the area they cover. This system allows the energy to be used even more efficiently. Moreover, the plates switch off automatically when the pot is removed.

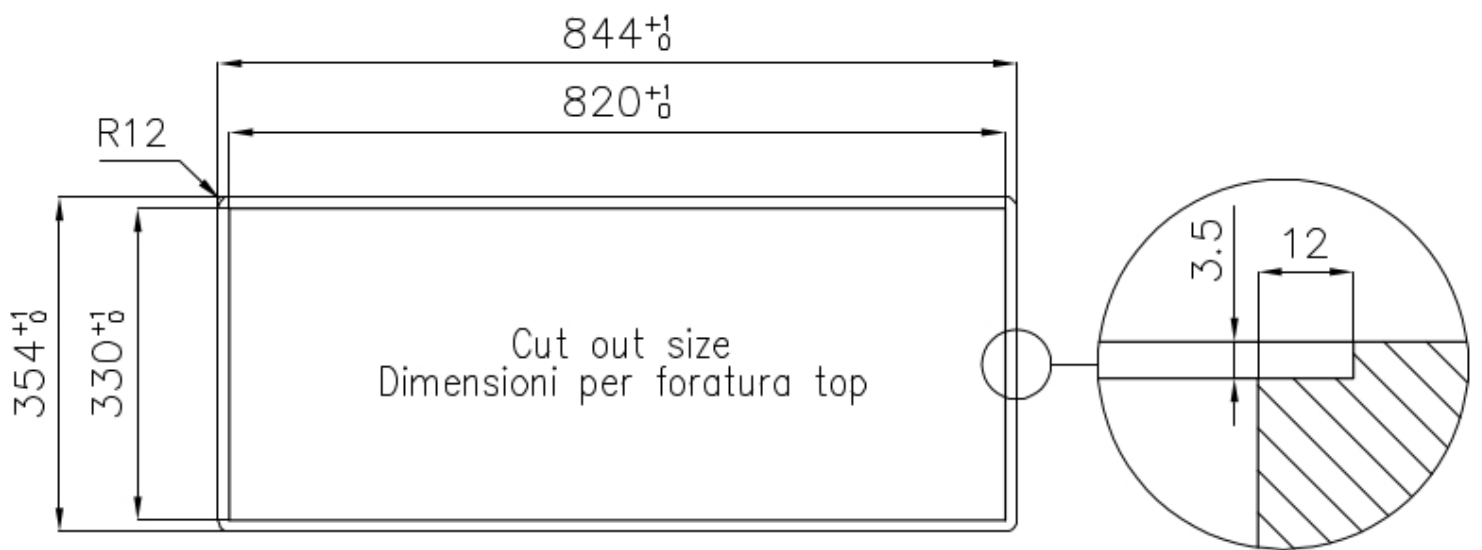
End-of-cooking programming All operations are programmed by means of the touch-control on the glass itself. Each cooking plate is capable of independent programming, and thus the possibility to set different cooking times.

Timer Independent timer from the end-of-cooking function.

Slider commands	The Slider control allows for extremely quick temperature setting: with a light touch of the finger you may select the desired power level on the TOUCH display.
T-chef function	It's a function that allows to set particular temperatures (42 °C, 70 °C, 84 °C) and keep them constant during cooking. Elaborate preparations can be easily obtained, with chef-like results. Cooking in a bain-marie, without the aid of a double container for the water, custard or cream sauce will thus always be perfect. By setting the temperature close to boiling, liquids will immediately reach the requested temperature, increasing speed and performance.
POT SPEED TEST	This feature tests your pots, grading them from 0 to 3 for efficiency and heating speed.
Intelligent Pot Localization	It recognizes which zone the pan is placed on and automatically activates the relative controls for power adjustment.
Go&stop function	This device initially turns on the plates at maximum power until the selected temperature has been reached.
Recall	This feature allows you to call back the last settings selected in the previous cooking.
Pause	Useful function that allows you to distract your attention from cooking, interrupting and restoring the settings immediately.
Smart fan system	Correct ventilation is essential for the induction hob to function in the best possible way. The Foster system automatically regulates the amount of ventilation to suit the temperatures reached.
Safety	All electric cooker hobs feature the most modern and sophisticated safety protections: Centralised power-off function; Child-proof safety lock; Residual heat warning lights. Induction models feature the following functions: Safety System that turn off the hob in the absence of the pot; Overflow detector that automatically turns off the plate in case of liquid overflow; Automatic deactivation to prevent accidents caused by forgetfulness.
Bridge zone	The new hobs with Bridge function allow to associate two zones forming a single extended cooking zone for pots of large size, or for more than one cooking simultaneously, with maximum flexibility in pot positioning. With the additional Double Booster feature provided by all Bridge hobs, the exceptional 3700 W power can be concentrated on a single plate or made available uniformly over the enlarged area.
AUTOMATIC BRIDGE	When a pot invades 2 different zones, it activates the Bridge function automatically.

TECHNICAL DATA





Built-in cut out for FTS:
Foratura per installazione FTS:
810 x 330

GALLERY



OPTIONAL ACCESSORIES



Induction Pro - Cookware set -
8pcs