

Cooker hob S4000 Domino Induction

Induction Hobs

Code: 7325 455



DETAILS

Coloring Black

Edge/Installation Type Standard (8 mm Edge)

Material Stainless steel + ceramic glass

Supply Single-phase: 230 V; 1P + N; 50.60 Hz

Temperature control Electronic 50 - 220 °C

Dimensions 380x520 mm

Base size 45cm

Full description Induction hob Teppanyaki - straight edge for sopratop installation

Heating element Two zones

Built-in hole [View technical data sheet](#)

Width 38 cm

Cooking plate Satin steel

Total power 2.800 W

Up 1.400 W

Down 1.400 W

Power settings 9 power settings per zone

Safety Safety equipment

Type Induction Hob

Type of commands Touch Control

Cooking zones 2 independent zones

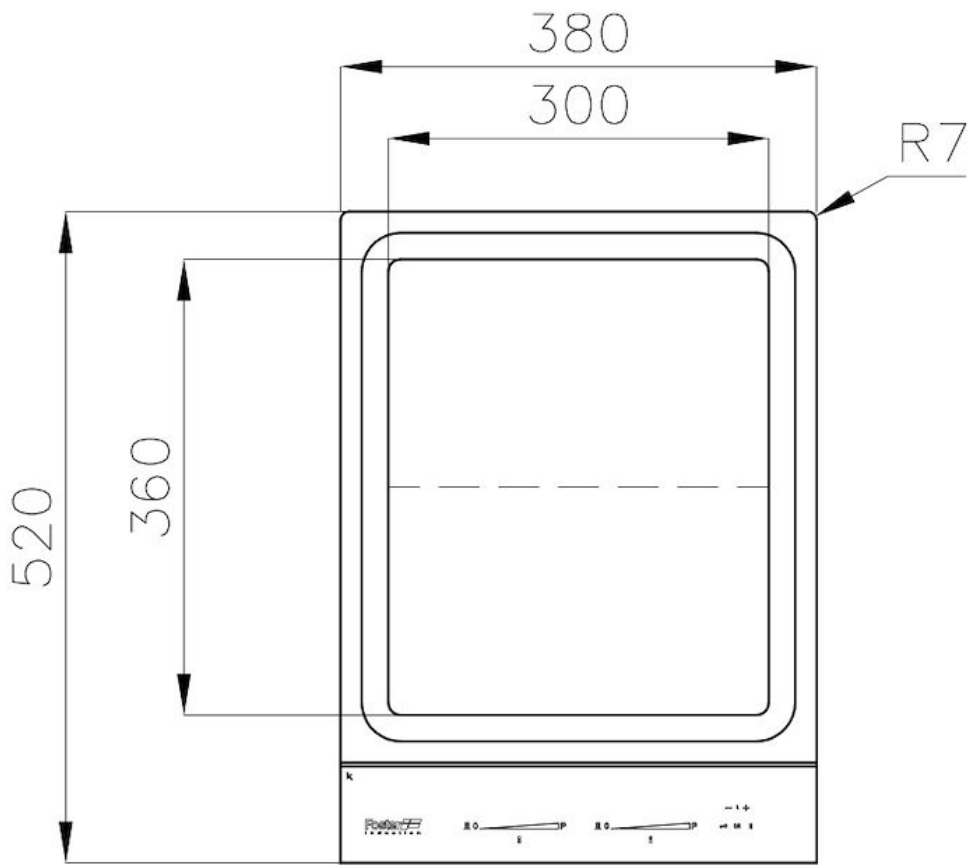
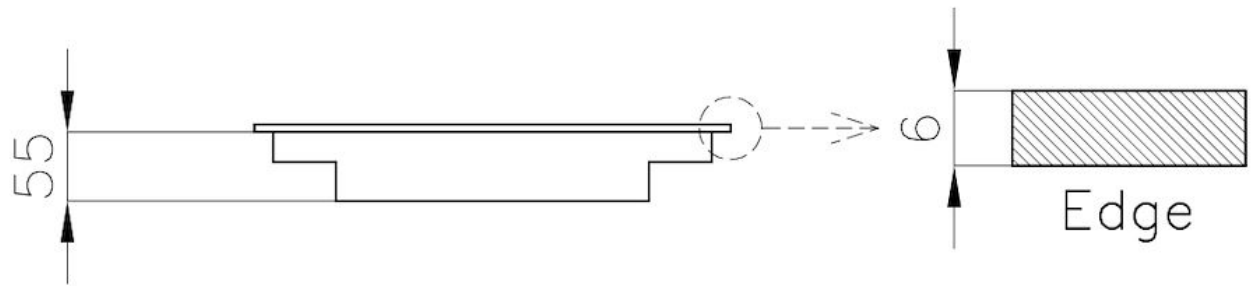
Notes: Pre-set temperatures for cleaning the product, for optimal cooking of fish recipes, and for perfect meat cooking.

FEATURES

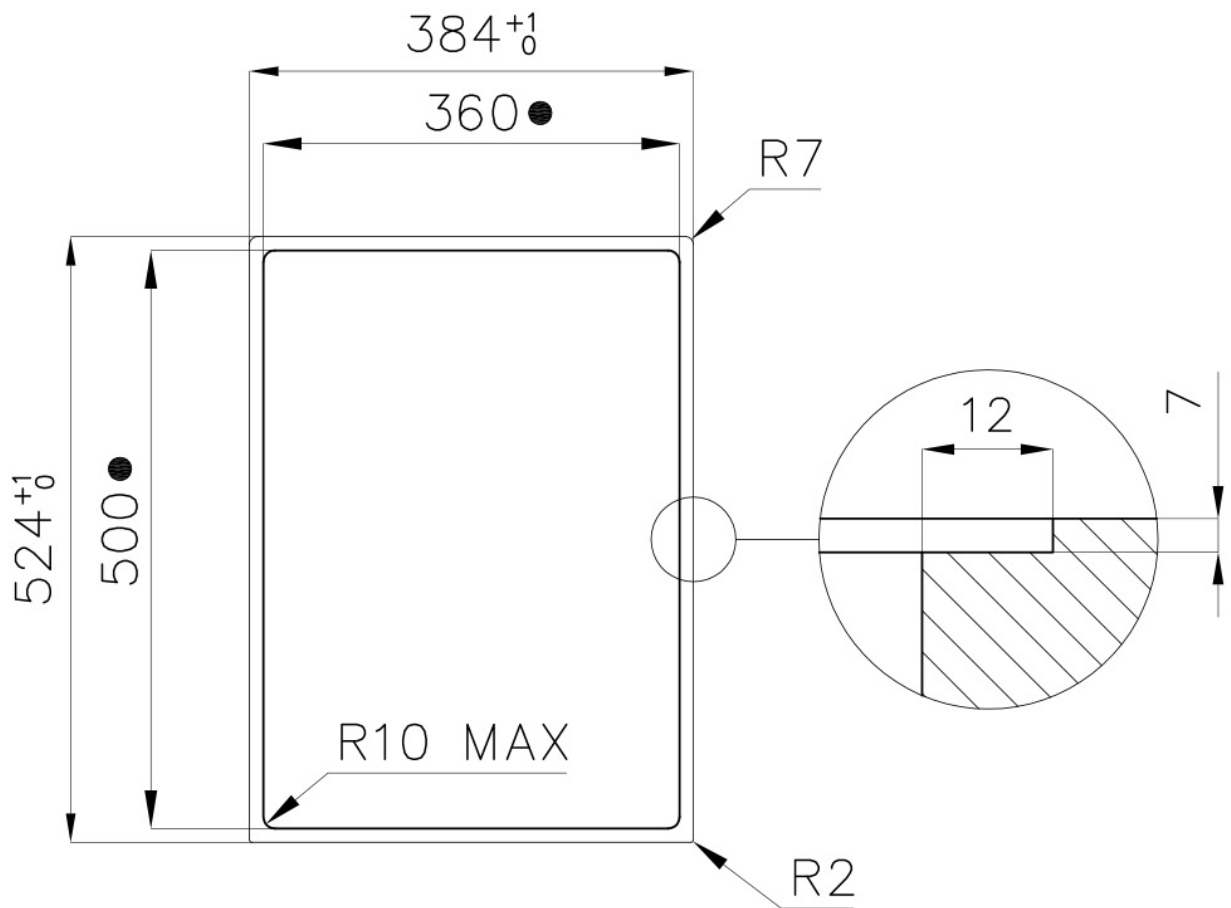
Bridge zone The new hobs with Bridge function allow to associate two zones forming a single extended cooking zone for pots of large size, or for more than one cooking simultaneously, with maximum flexibility in pot positioning. With the additional Double Booster feature provided by all Bridge hobs, the exceptional 3700 W power can be concentrated on a single plate or made available uniformly over the enlarged area.

Recall	This feature allows you to call back the last settings selected in the previous cooking.
End-of-cooking programming	All operations are programmed by means of the touch-control on the glass itself. Each cooking plate is capable of independent programming, and thus the possibility to set different cooking times.
Timer	Independent timer from the end-of-cooking function.
Slider commands	The Slider control allows for extremely quick temperature setting: with a light touch of the finger you may select the desired power level on the TOUCH display.
Smart fan system	Correct ventilation is essential for the induction hob to function in the best possible way. The Foster system automatically regulates the amount of ventilation to suit the temperatures reached.
Pause	Useful function that allows you to distract your attention from cooking, interrupting and restoring the settings immediately.
Safety	All electric cooker hobs feature the most modern and sophisticated safety protections: Centralised power-off function; Child-proof safety lock; Residual heat warning lights. Induction models feature the following functions: Safety System that turn off the hob in the absence of the pot; Overflow detector that automatically turns off the plate in case of liquid overflow; Automatic deactivation to prevent accidents caused by forgetfulness.

TECHNICAL DATA



Cut out size
Dimensioni per foratura top



- Built-in cut out for FTS – Foratura per installazione FTS

GALLERY

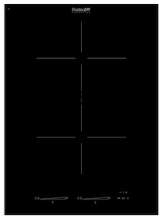


OPTIONAL ACCESSORIES



Spacer for Domino elements

RECOMMENDED PAIRINGS



Cooker hob S4000 Domino
Induction



Hood S4000 Domino Ghost



Sink S4001 Filotop