

Cooker hob S4000 Domino Induction 7325 445

Cooker hobs

Code: 7325 445



DETAILS

Coloring Black

Material Stainless steel + ceramic glass

Supply Single-phase: 230 V; 1P + N; 50.60 Hz

Edge/Installation Type Standard (8 mm Edge)

Temperature control electronic 120 - 220 °C

Dimensions 380x520 mm

Base size 38cm

Full description Induction hob Teppanyaki - straight edge for sopratop installation

Heating element Two zones

Built-in hole	View technical data sheet (for all Flush-mount / Top-mount models and Under-mount models)
Cooking plate	Satin steel
Total power	2.800 W
Up	1.400 W
Down	1.400 W
Power settings	9 power settings per zone
Safety	Safety equipment
Type	Induction Hob
Type of commands	Touch Control
Cooking zones	2 independent zones

FEATURES

End-of-cooking programming	All operations are programmed by means of the touch-control on the glass itself. Each cooking plate is capable of independent programming, and thus the possibility to set different cooking times.
Timer	Independent timer from the end-of-cooking function.
Slider commands	The Slider control allows for extremely quick temperature setting: with a light touch of the finger you may select the desired power level on the TOUCH display.

Smart fan system

Correct ventilation is essential for the induction hob to function in the best possible way. The Foster system automatically regulates the amount of ventilation to suit the temperatures reached.

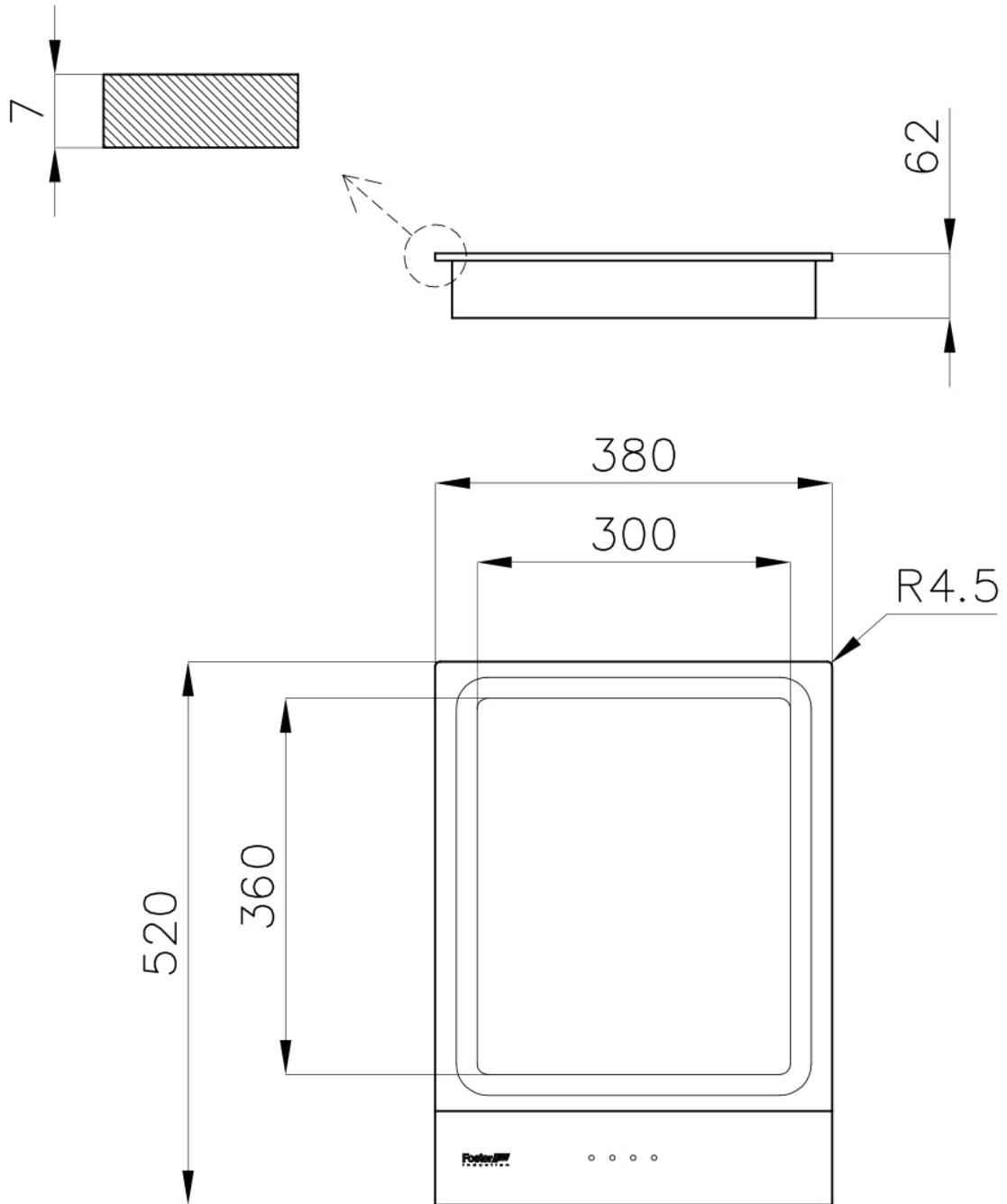
Pause

Useful function that allows you to distract your attention from cooking, interrupting and restoring the settings immediately.

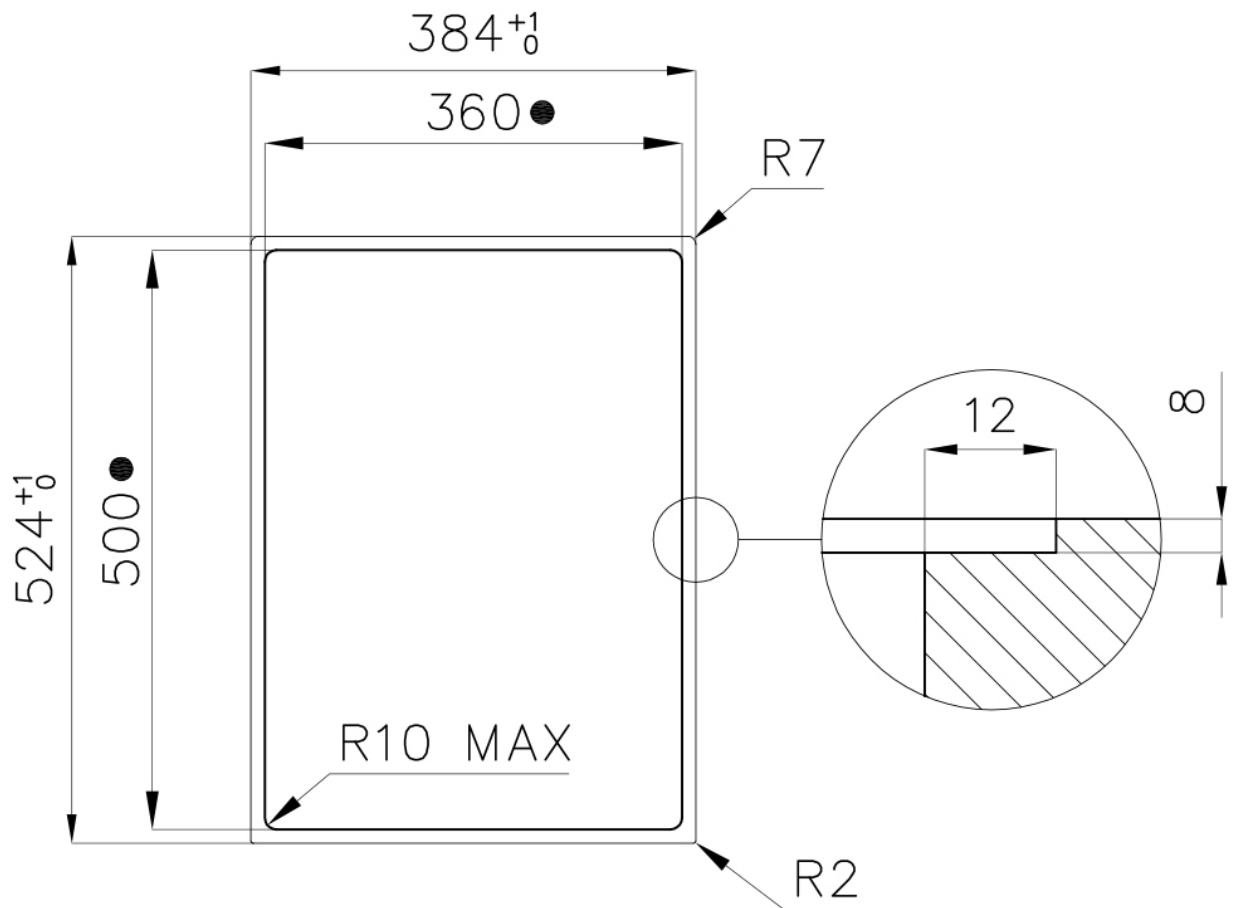
Safety

All electric cooker hobs feature the most modern and sophisticated safety protections: Centralised power-off function; Child-proof safety lock; Residual heat warning lights. Induction models feature the following functions: Safety System that turn off the hob in the absence of the pot; Overflow detector that automatically turns off the plate in case of liquid overflow; Automatic deactivation to prevent accidents caused by forgetfulness.

TECHNICAL DATA



Cut out size
Dimensioni per foratura top



- Built-in cut out for FTS – Foratura per installazione FTS

OPTIONAL ACCESSORIES



Spacer for Domino elements
8320 000

RECOMMENDED PAIRINGS



Hood S4000 Domino Ghost 2451
000



Sink S4001 Pilotop - 3365 050