

Cooker hob S4000 Domino

Gas hobs

Code: 7276 032



DETAILS

Edge/Installation Type Q4 (4 mm Edge)

Finish Foster brushed

Material AISI 304 stainless steel

Texture Brushed in line

Supply 220-240 V; 50/60 Hz

Dimensions 380x520 mm

Base size 45cm

Heating element two burners

Built-in hole 360x480 mm

Grids Cast iron grids and enamelled burner covers

Width 38 cm

Total power 2.750 W

Auxiliary 1.000 W

Semirapid 1.750 W

Safety Safety valve with quick-acting thermocouple

Ignition Electric ignition under knob

Gas type Tested for installation with natural gas, LPG nozzle set included.

Type Gas Hob

EQUIPMENT

1 x Cast iron pot support 9601
742

FEATURES

Aeo burners The AEO burners guarantee up to 25% energy saving compared to standard burners. All models are designed with The Dual burner with 2 independent crowns, controlled by a single knob, delivers from 1 to 5KW, a power that can only be found in professional models.

Cast iron grids

Cast-iron is the ideal material for an hob grid, this due to the manifold properties characterising it: high heat capacity that improves cooking performance; high weight and stability that improve safety; sturdiness that preserves the hob's original aspect over time; easy cleaning.

Safe cooking

All Foster cooker hobs are equipped with safety valves. They shut off the gas supply very quickly if the flame accidentally goes out.

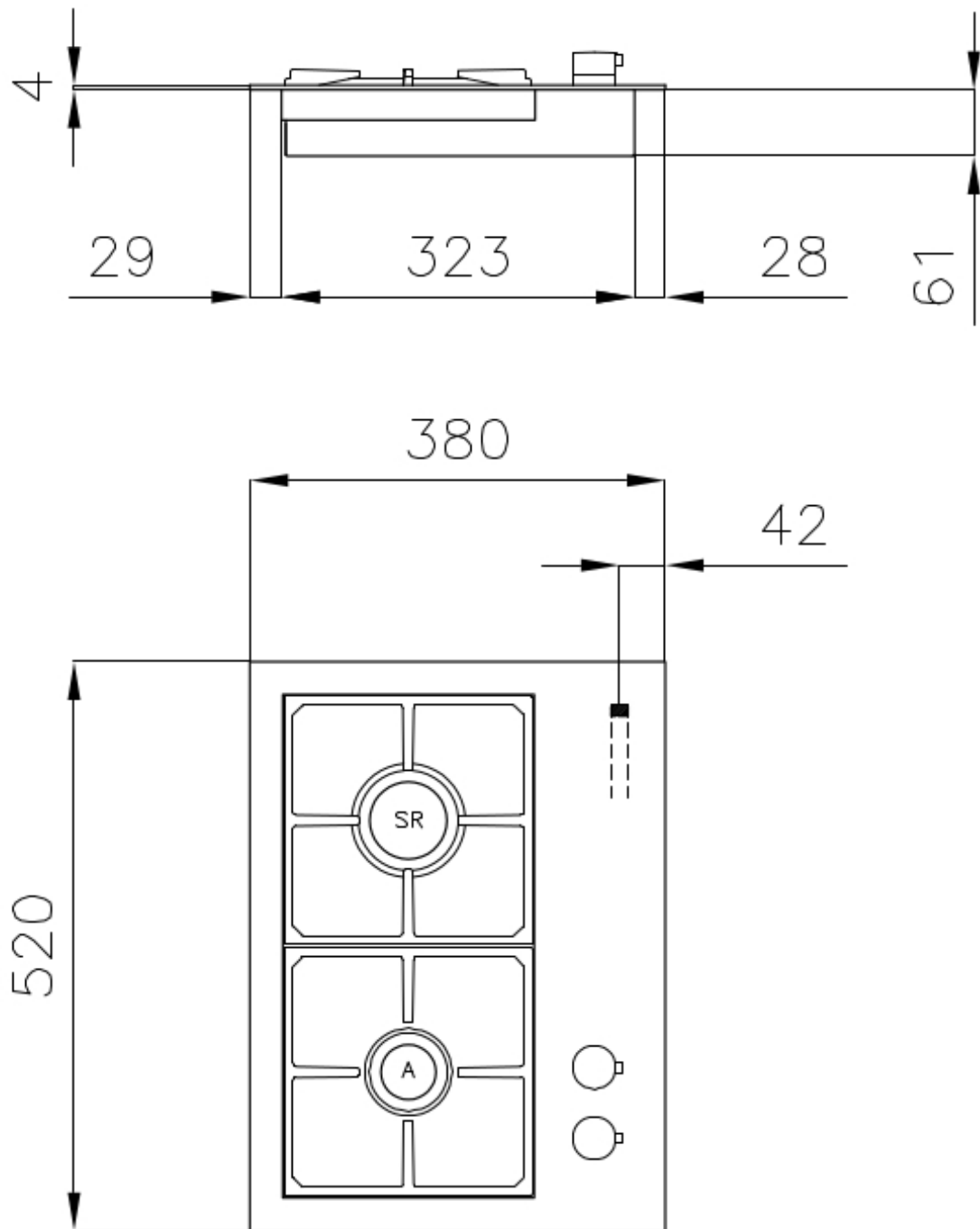
Ultra-flat hob

Design meets functionality in the the ultra-flat models. Elegant grids that form a generously sized overall surface.

Under-knob ignition

The utmost freedom of movement with electronic under-knob ignition, a common feature of all models that allows a one-hand ignition of the burner.

TECHNICAL DATA



GALLERY

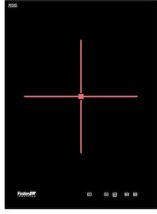


EQUIPMENT



Cast iron pot support

RECOMMENDED PAIRINGS



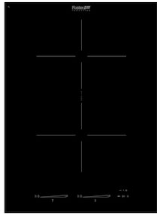
Cooker hob S4000 Domino Induction



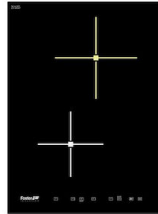
Cooker hob S4000 Domino Induction



Cooker hob S4000 Domino Induction



Cooker hob S4000 Domino Induction



Cooker hob S4000 Domino Induction



Hood S4000 Domino Ghost Induction



Sink KE Q4



Spacer for Domino elements