

## Cooker hob Professionale

Gas hobs

Code: 7246 062



### DETAILS

Edge/Installation Type	Flat Edge
Finish	Foster brushed
Material	AISI 304 stainless steel
Texture	Brushed in line
Supply	220-240 V; 50/60 Hz
Dimensions	873x513 mm
Base size	90cm
Heating element	Five burners
Built-in hole	840x480 mm

Grids Cast iron grids and enamelled burner covers

---

Width 87 cm

---

Total power 10.700 W

---

Auxiliary 1.000 W

---

Semirapid 2x1.750 W

---

Rapid 2.700 W

---

Triple crown 3.500 W

---

Safety Safety valve with quick-acting thermocouple

---

Ignition Electric ignition under knob

---

Gas type Tested for installation with natural gas, LPG nozzle set included.

---

Type Gas Hob

---

## FEATURES

**Cast iron grids** Cast-iron is the ideal material for an hob grid, this due to the manifold properties characterising it: high heat capacity that improves cooking performance; high weight and stability that improve safety; sturdiness that preserves the hob's original aspect over time; easy cleaning.

---

**Safe cooking** All Foster cooker hobs are equipped with safety valves. They shut off the gas supply very quickly if the flame accidentally goes out.

---

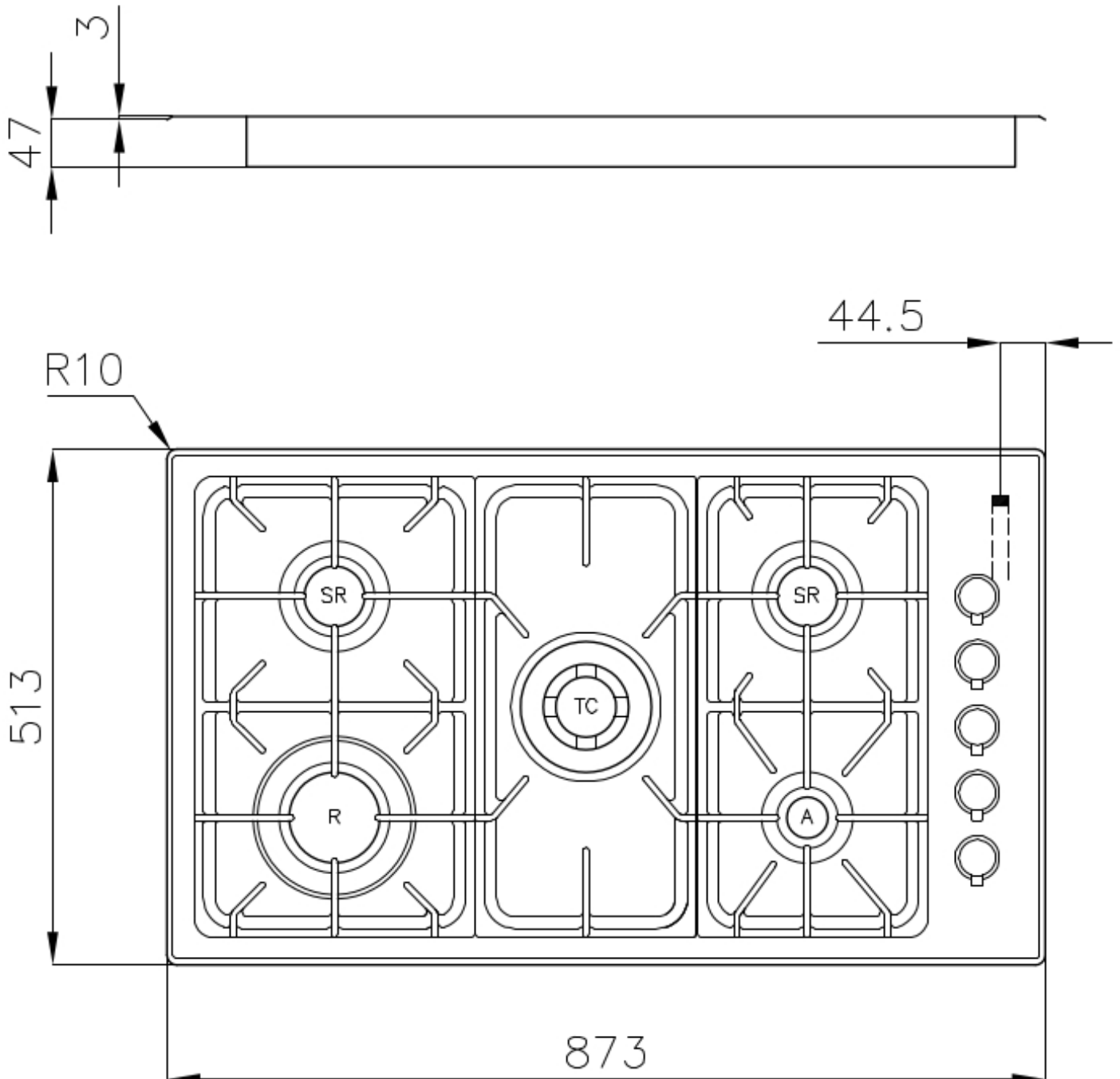
## Special burners

Many Foster hobs are equipped with special burners, with two or three rings of fire that greatly increase the power delivered and the heated surface. In the DUAL models the two fire crowns also have independent ignition, making these burners perfect for both intensive and delicate cooking.

## Under-knob ignition

The utmost freedom of movement with electronic under-knob ignition, a common feature of all models that allows a one-hand ignition of the burner.

## TECHNICAL DATA



## GALLERY



## OPTIONAL ACCESSORIES



Cast iron wok support

## RECOMMENDED PAIRINGS



Hood Florence



Sink Master