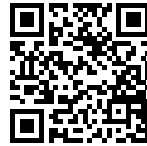


## Cooker hob Professionale

Gas hobs

Code: 7243 062



### DETAILS

Edge/Installation Type Flush-mount | Top-mount

---

Finish Foster brushed

---

Material AISI 304 stainless steel

---

Texture Brushed in line

---

Supply 220-240 V; 50/60 Hz

---

Dimensions 603x513 mm

---

Base size 60cm

---

Heating element Four burners

---

Built-in hole [View technical data sheet](#)

---

Grids Cast iron grids and enamelled burner covers

---

Width 60 cm

---

Total power 8.000 W

---

Auxiliary 1.000 W

---

Semirapid 2x1.750 W

---

Triple crown 3.500 W

---

Safety Safety valve with quick-acting thermocouple

---

Ignition Electric ignition under knob

---

Gas type Tested for installation with natural gas, LPG nozzle set included.

---

Type Gas Hob

---

## FEATURES

**Cast iron grids** Cast-iron is the ideal material for an hob grid, this due to the manifold properties characterising it: high heat capacity that improves cooking performance; high weight and stability that improve safety; sturdiness that preserves the hob's original aspect over time; easy cleaning.

---

**Safe cooking** All Foster cooker hobs are equipped with safety valves. They shut off the gas supply very quickly if the flame accidentally goes out.

---

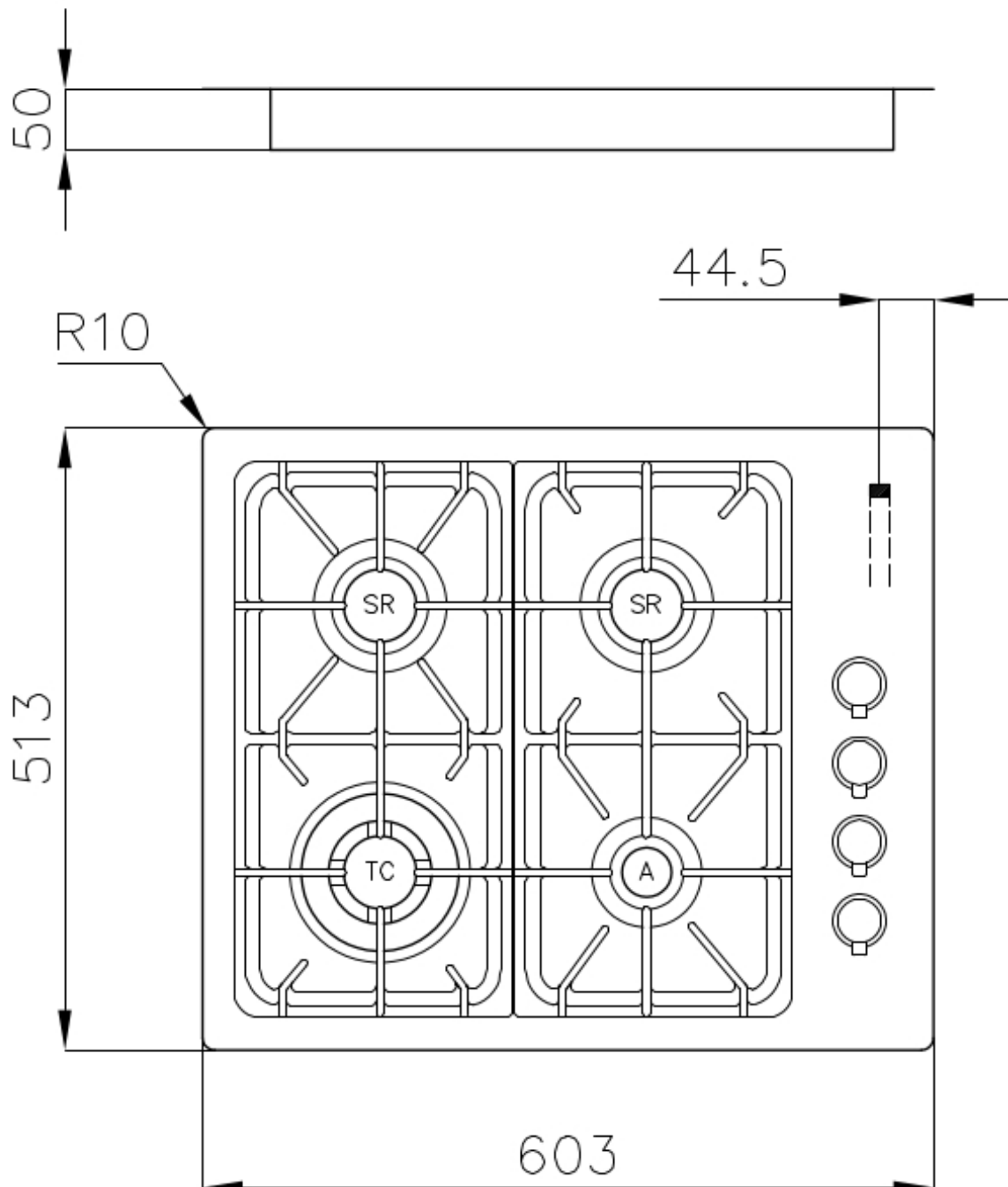
## Special burners

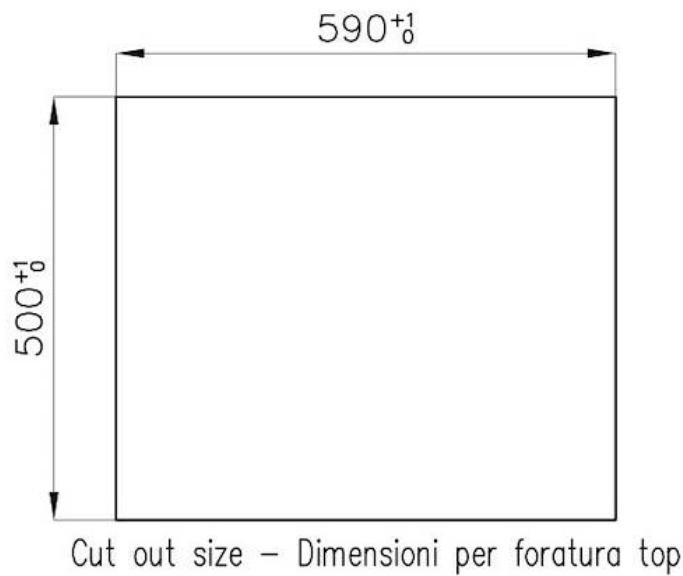
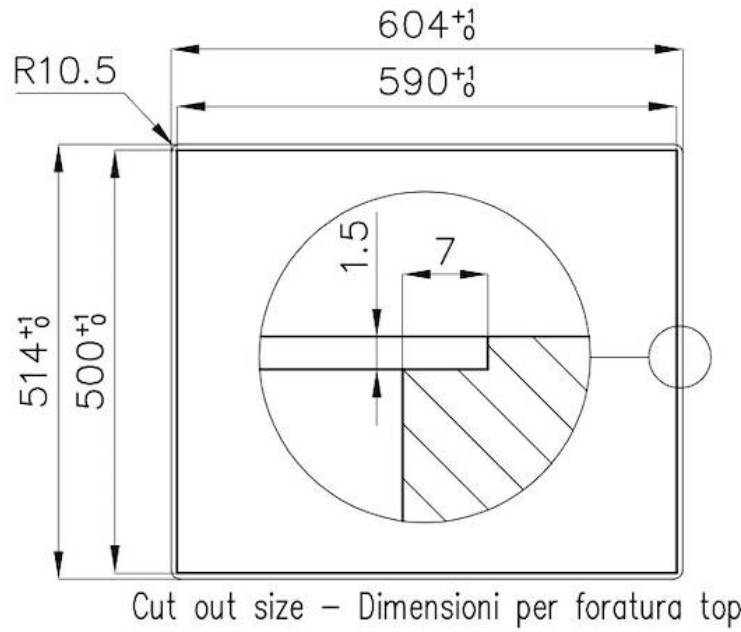
Many Foster hobs are equipped with special burners, with two or three rings of fire that greatly increase the power delivered and the heated surface. In the DUAL models the two fire crowns also have independent ignition, making these burners perfect for both intensive and delicate cooking.

## Under-knob ignition

The utmost freedom of movement with electronic under-knob ignition, a common feature of all models that allows a one-hand ignition of the burner.

## TECHNICAL DATA





## GALLERY



## OPTIONAL ACCESSORIES



Cast iron wok support

## RECOMMENDED PAIRINGS



Hood Florence



Sink Master