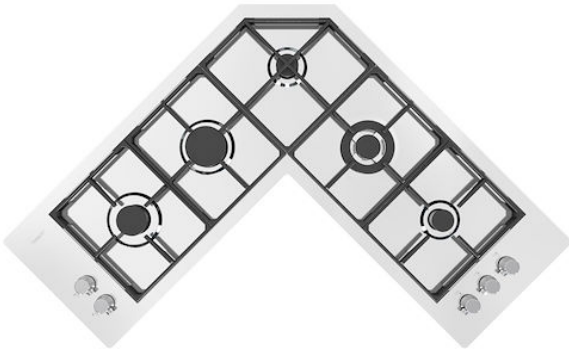


Cooker hob Quadra Angolare

Gas hobs

Code: 7238 042



DETAILS

Edge/Installation Type Flush-mount | Top-mount

Finish Foster brushed

Material AISI 304 stainless steel

Texture Brushed in line

Supply 220-240 V; 50/60 Hz

Dimensions 972x972 mm

Base size 97cm

Full description FILOTOP Edge - for flush-mount (FT) or over-mount (FTS) installation

Heating element Five burners

| | |
|---------------|--|
| Built-in hole | View technical data sheet |
| Grids | Cast iron grids and enamelled burner covers |
| Total power | 9.950 W |
| Auxiliary | 2x1.000 W |
| Semirapid | 1.750 W |
| Rapid | 2.700 W |
| Triple crown | 3.500 W |
| Safety | Safety valve with quick-acting thermocouple |
| Ignition | Electric ignition under knob |
| Gas type | Tested for installation with natural gas, LPG nozzle set included. |
| Type | Gas Hob |

FEATURES

| | |
|-----------------|--|
| Cast iron grids | Cast-iron is the ideal material for an hob grid, this due to the manifold properties characterising it: high heat capacity that improves cooking performance; high weight and stability that improve safety; sturdiness that preserves the hob's original aspect over time; easy cleaning. |
| Safe cooking | All Foster cooker hobs are equipped with safety valves. They shut off the gas supply very quickly if the flame accidentally goes out. |

Special burners

Many Foster hobs are equipped with special burners, with two or three rings of fire that greatly increase the power delivered and the heated surface. In the DUAL models the two fire crowns also have independent ignition, making these burners perfect for both intensive and delicate cooking.

Ultra-flat hob

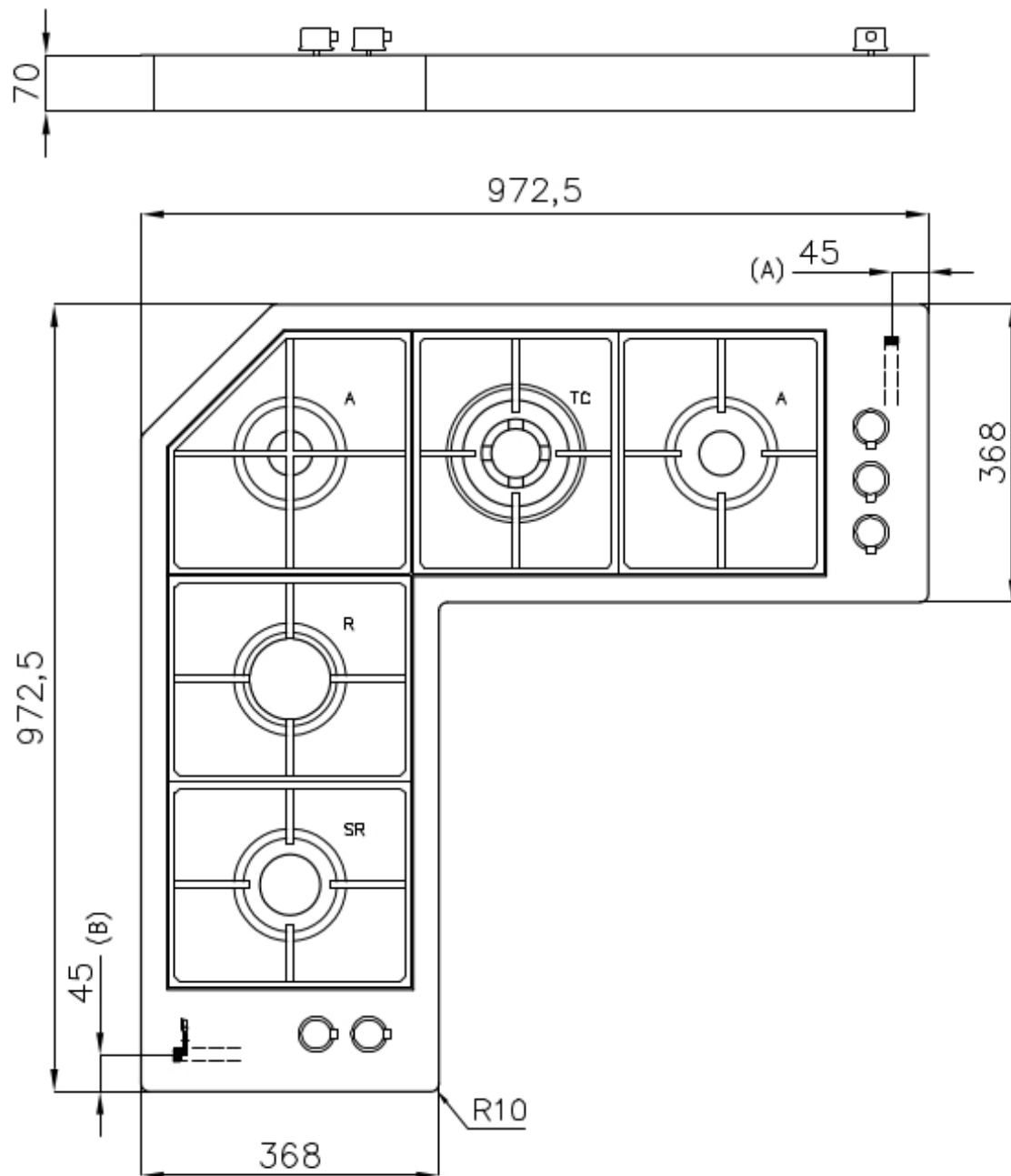
Design meets functionality in the the ultra-flat models. Elegant grids that form a generously sized overall surface.

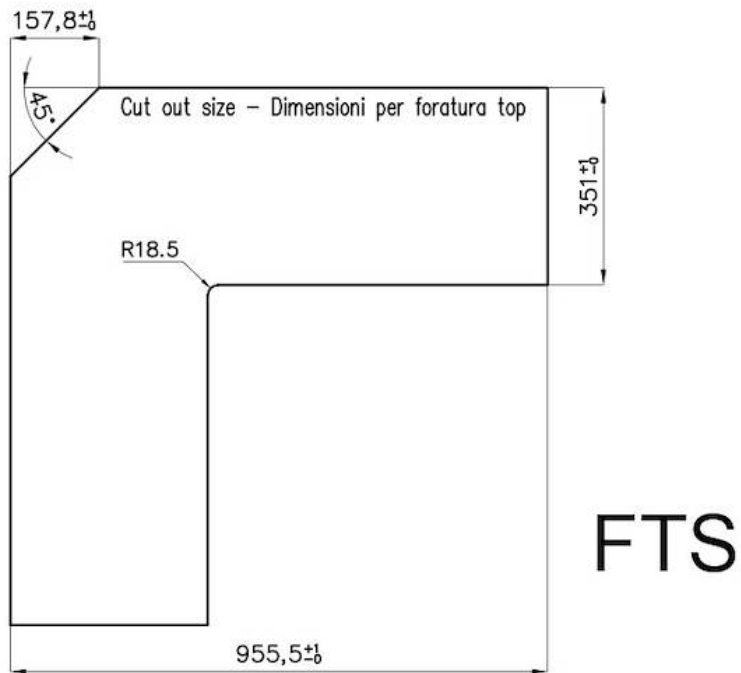
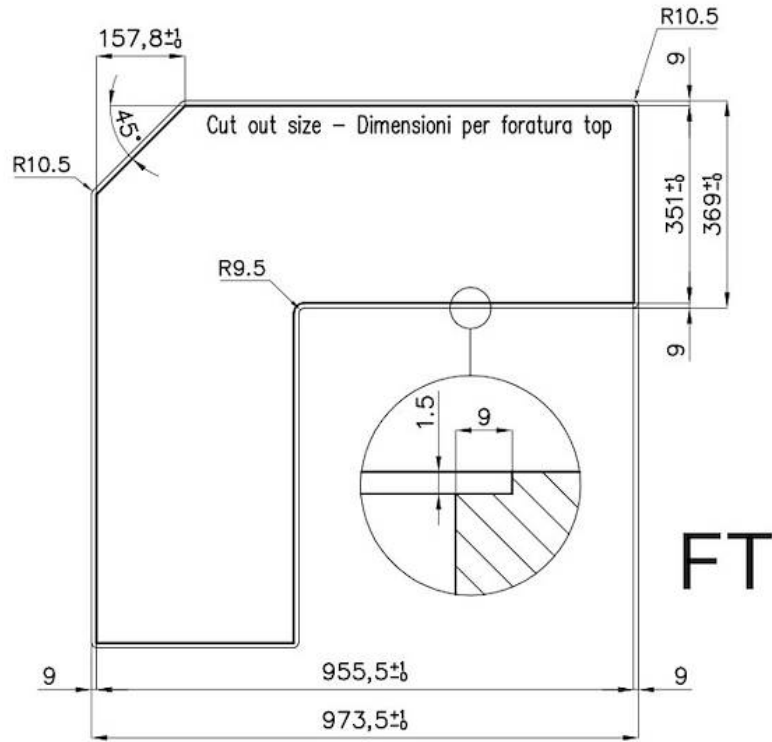
Under-knob ignition

The utmost freedom of movement with electronic under-knob ignition, a common feature of all models that allows a one-hand ignition of the burner.

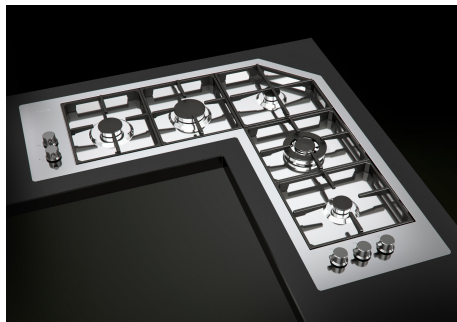
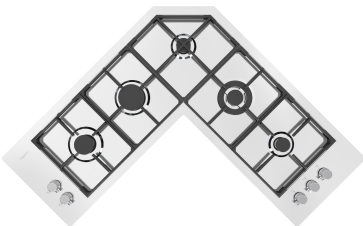
TECHNICAL DATA

Connection to the gas network must be made via both inputs (A) and (B)
L'allacciamento alla rete del gas deve essere effettuato tramite entrambi gli ingressi (A) e (B)





GALLERY



OPTIONAL ACCESSORIES



Cast iron wok support

RECOMMENDED PAIRINGS



Hood Pitagora



Sink Stripe