

## Oven (Gas) KE

Ovens and Coordinated Products

Code: 7193 047



### COOKING PROGRAMS

Lower-level cooking                      Suitable for heating foodstuffs.

---

Electric grill                                To quickly gratin the surface of the food.

---

Rotisserie                                  Through the Rotisserie function, any type of meat can be perfectly grilled.

---

### DETAILS

Material                                      Stainless steel + glass

---

Texture                                      Satin Finish ANTI-TOUCH

---

Supply                                      220-240 V 50/60 Hz

---

Energy class                              A

---

Dimensions 90x60 cm

---

Standard fittings 1 dripping pan, 1 grill and 1 rotisserie

---

Cooking chamber finish Easy Clean enamel

---

Lighting Independent oven's light

---

Number of door glasses 3 glasses

---

Programming End of cooking timer

---

Type of cooling Tangential ventilation

---

Oven type Ventilated gas oven

---

Type of commands Knobs

---

Volume 91Lt

---

## FEATURES

**A energy class** A range totally in Class A ++, A + and A. An important result that proves the high quality, aimed at optimizing performance and savings.

---

**XXL capacity** The cooking chamber has a volume of over 70 liters, much greater than that of standard ovens.

---

**Anti-touch finish** The steel parts of the door, thanks to the special protection, are perfectly smooth and protected from fingerprints, while maintaining the elegance of the satin finish.

---

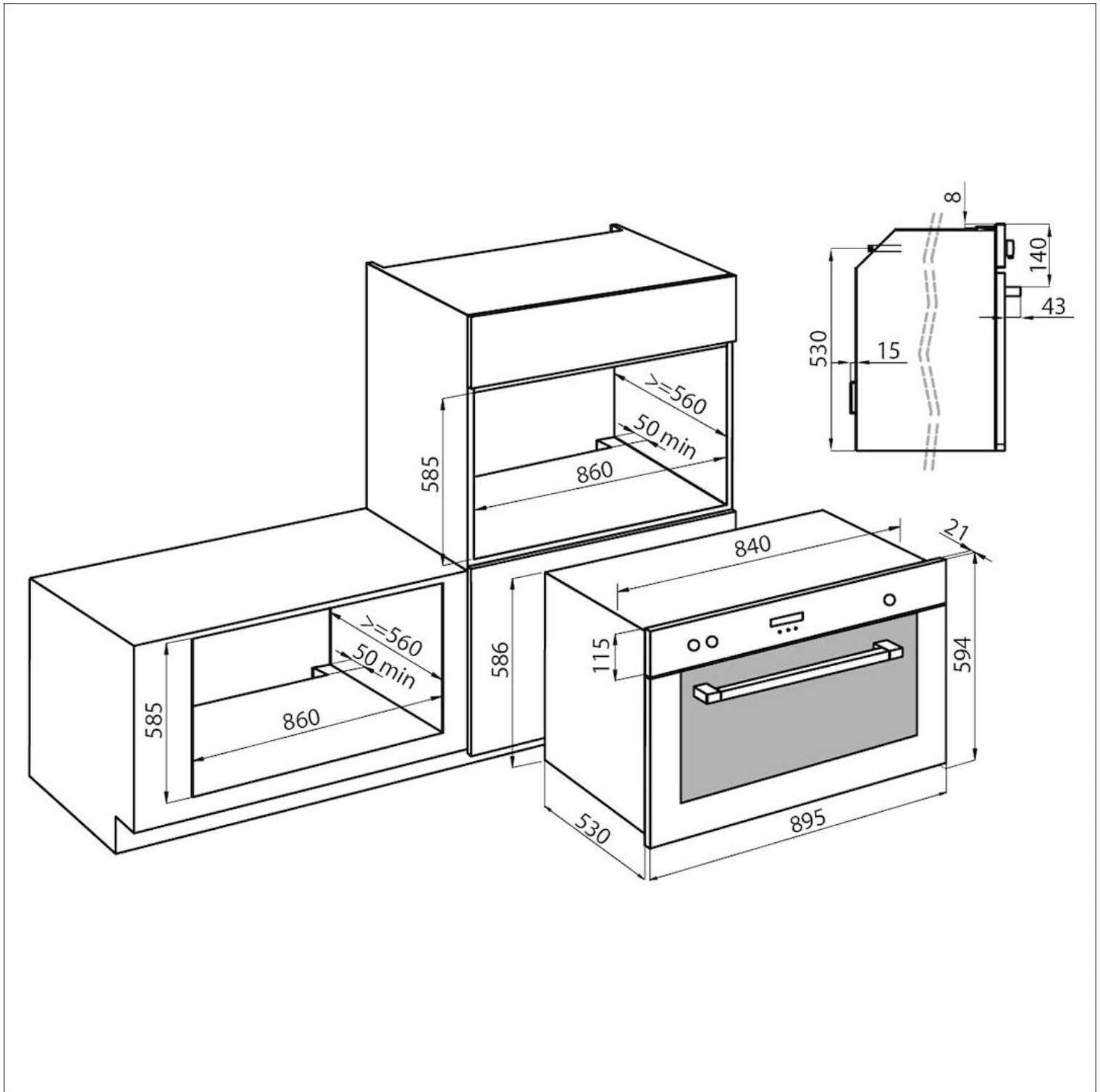
## Easy clean enamelling

The Easy-Clean enamelling makes the internal oven surfaces and accessories non-adhesive, while the limited porosity ensures durability and easy cleaning.

## Tangential fan

A special ventilation creates a flow of air between the cooking chamber and framework, thereby reducing the temperature of the external surfaces. As consequence, the oven does not expose furniture to temperature shock.

## TECHNICAL DATA



## GALLERY

