

Oven KS

Ovens and Coordinated Products

Code: 7151 010



COOKING PROGRAMS

Microwave cooking Ideal for cooking or rapidly heating vegetables, rice, fish, meat and liquids. different power levels are available.

Grill To quickly gratin the surface of the food.

Microwave + grill A combined cooking method that is ideal for lasagne, potatoes, roasts and pies.

Thawing It allows you to defrost foods in a third of the time through the uniform distribution of air at room temperature.

preset programs Programs for heating, cooking, defrosting + cooking of various types of food are selectable.

DETAILS

Material Stainless steel + glass

Texture Satin Finish ANTI-TOUCH

Supply 230V - 50Hz

Dimensions 60x38 cm

Standard fittings 1 grill - 1 turntable

Cooking chamber finish Stainless steel

Number of door glasses 2 glasses

Power absorbed by the microwave 900 W (5 livelli potenza) + Grill 1000 W

Programming Electronic programming

Oven type Microwave + grill

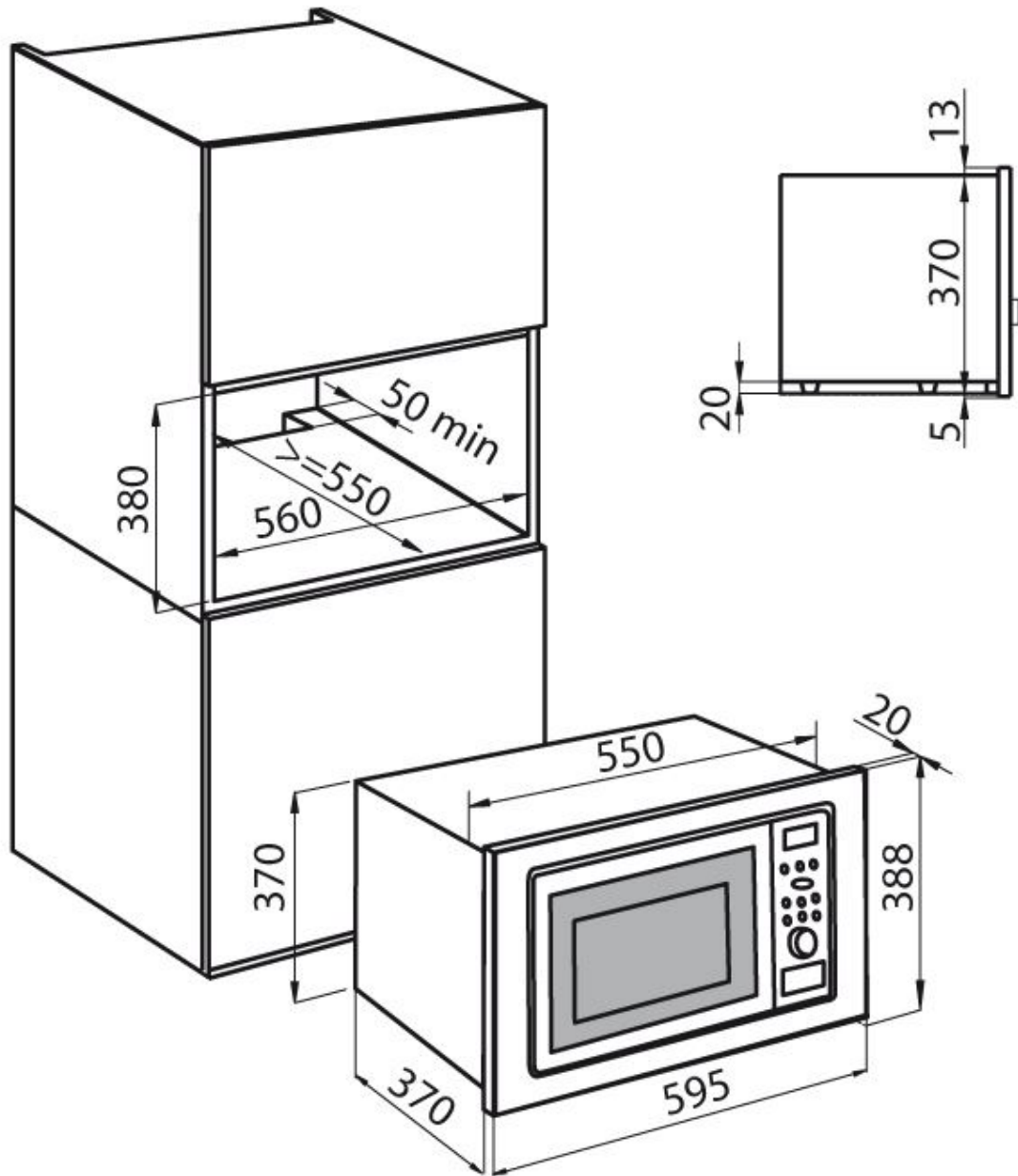
Type of commands Knobs

Volume 25Lt

FEATURES

Anti-touch finish The steel parts of the door, thanks to the special protection, are perfectly smooth and protected from fingerprints, while maintaining the elegance of the satin finish.

TECHNICAL DATA



GALLERY

