

Oven KE 7141 043

Ovens and Coordinated Products

Code: 7141 043



COOKING PROGRAMS

Lower-level cooking	Suitable for heating foodstuffs.
Double Grill	Heat is generated by the upper grill only: ideal for toasting, cooking au gratin and browning foodstuffs and also suitable for meat, fish and pasta.
Lower-level cooking + grill	To complete static cooking and to cook au gratin simultaneously.
Ventilated grill	The combined action of the fan and grill produces rapid and thorough cooking of thick foodstuffs.
Fast pre-heating function	This function turns on the heating elements and a flow of hot air raises the temperature to 200°C within a very short time.
ECO Ventilated Cooking	Program with low energy consumption, ideal for heating and for foods that need gentle and progressive cooking.
Thawing	It allows you to defrost foods in a third of the time through the uniform distribution of air at room temperature.

DETAILS

Material Stainless steel + glass

Texture Satin Finish ANTI-TOUCH

Supply 220-240V 50-60Hz

Energy class A

Dimensions 60x60 cm

Standard fittings 1 baking tray and 1 dripping pan with EasyClean XXL enamel - 1 stainless steel grill

Cooking chamber finish Easy Clean enamel

Guides 1 Telescopic guide

Number of door glasses 3 glasses

Programming Electronic start-end cooking program

Type of cooling Tangential ventilation

Safety Grill resistance protection

Oven type Multifunction oven

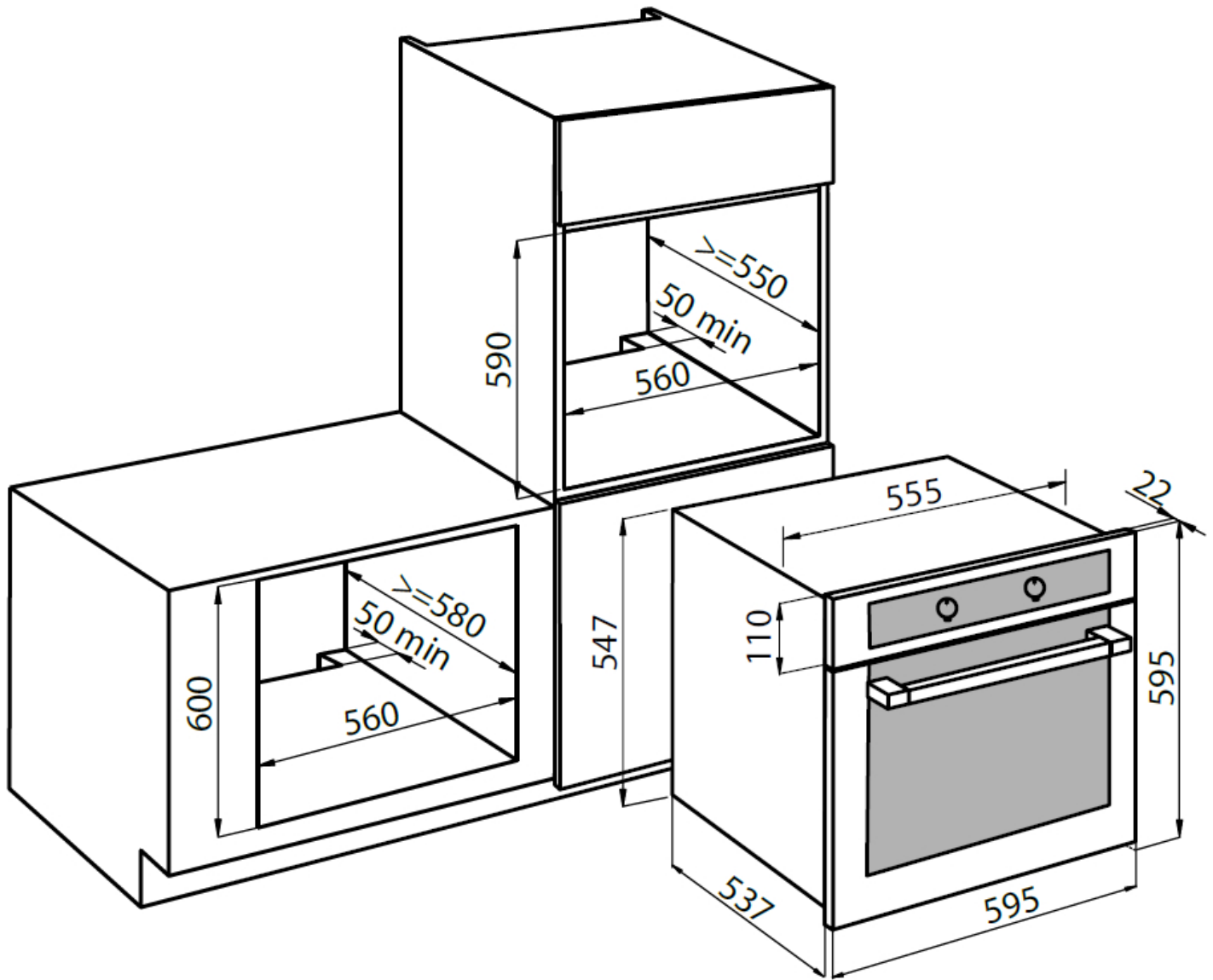
Type of commands Knobs

Volume 70Lt

FEATURES

A energy class	A range totally in Class A ++, A + and A. An important result that proves the high quality, aimed at optimizing performance and savings.
XL capacity	The cooking chamber has a volume of over 70 liters, higher than that of standard ovens.
Soft closing door	The door's hinges automatically slow down in the final part of their movement, to achieve a delicate and silent closing.
telescopic guides	The guides on which run pans and grids favor a better distribution of space and make it easier to extract the dishes.
Triple glass	The door is equipped with a multiple glass door. This device ensures low temperatures of external surfaces and lower heat loss.
Full glass door	The inside of the oven door constitutes a single smooth glass surface making it practical for cleaning purposes.
Easy clean enamelling	The Easy-Clean enamelling makes the internal oven surfaces and accessories non-adhesive, while the limited porosity ensures durability and easy cleaning.
Tangential fan	A special ventilation creates a flow of air between the cooking chamber and framework, thereby reducing the temperature of the external surfaces. As consequence, the oven does not expose furniture to temperature shock.
Anti-touch finish	The steel parts of the door, thanks to the special protection, are perfectly smooth and protected from fingerprints, while maintaining the elegance of the satin finish.

TECHNICAL DATA



GALLERY

