



Type of commands

Touch Control

---

Volume

24 Lt

---

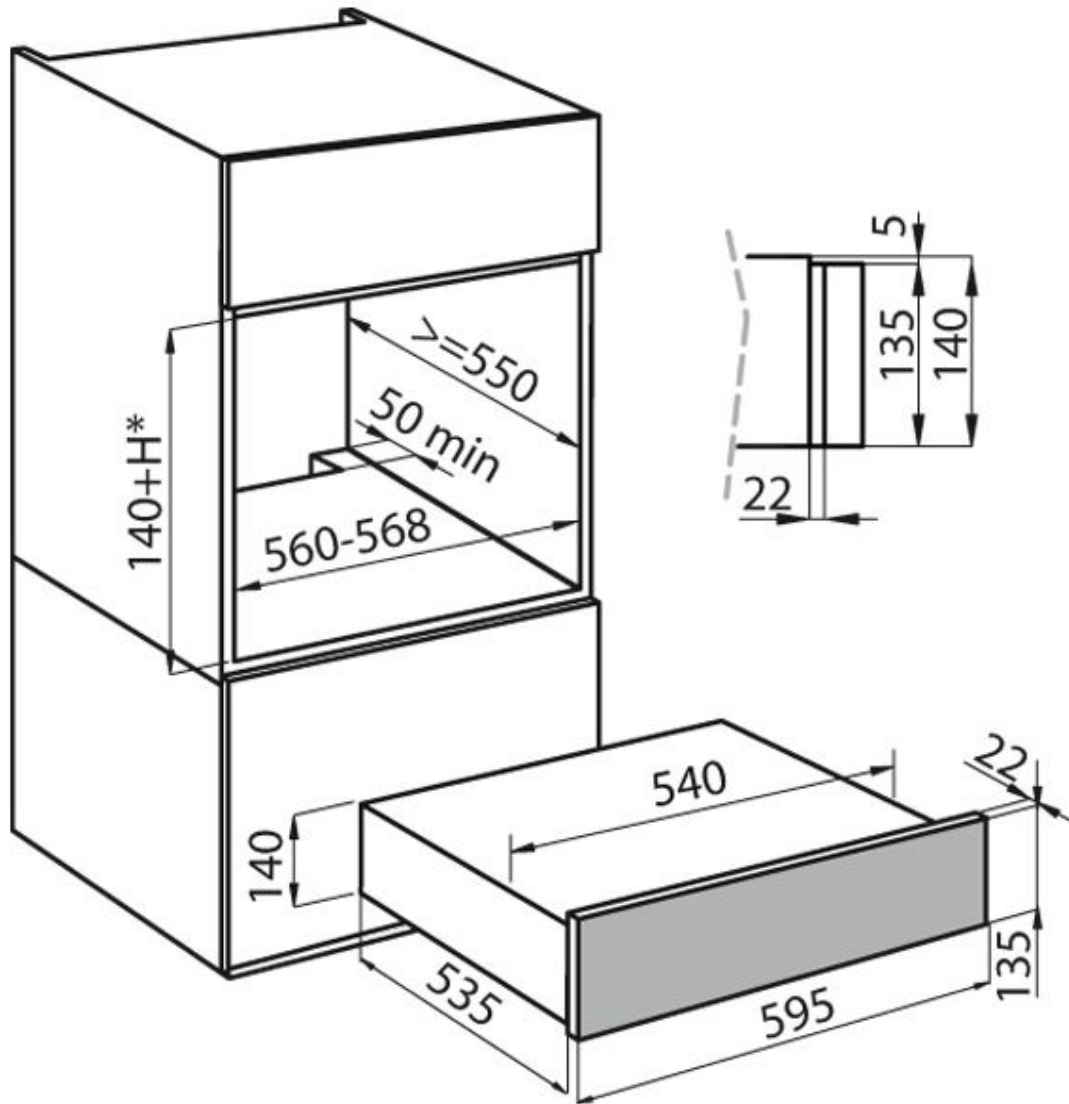
## FEATURES

Anti-touch finish

The steel parts of the door, thanks to the special protection, are perfectly smooth and protected from fingerprints, while maintaining the elegance of the satin finish.

---

## TECHNICAL DATA



## GALLERY

