

Cooker hob Elettra

Gas hobs

Code: 7068 042



DETAILS

Edge/Installation Type Standard (8 mm Edge)

Finish Foster brushed

Material AISI 304 stainless steel

Texture Brushed in line

Supply 220-240 V; 50/60 Hz

Dimensions 590x500 mm

Base size 60cm

Heating element Four burners

Built-in hole 560x480 mm

Grids Cast iron grids and enamelled burner covers

Width 56 cm

Total power 7.200 W

Auxiliary 1.000 W

Semirapid 2x1.750 W

Rapid 2.700 W

Safety Safety valve with quick-acting thermocouple

Ignition Electric ignition under knob

Gas type Tested for installation with natural gas, LPG nozzle set included.

Type Gas Hob

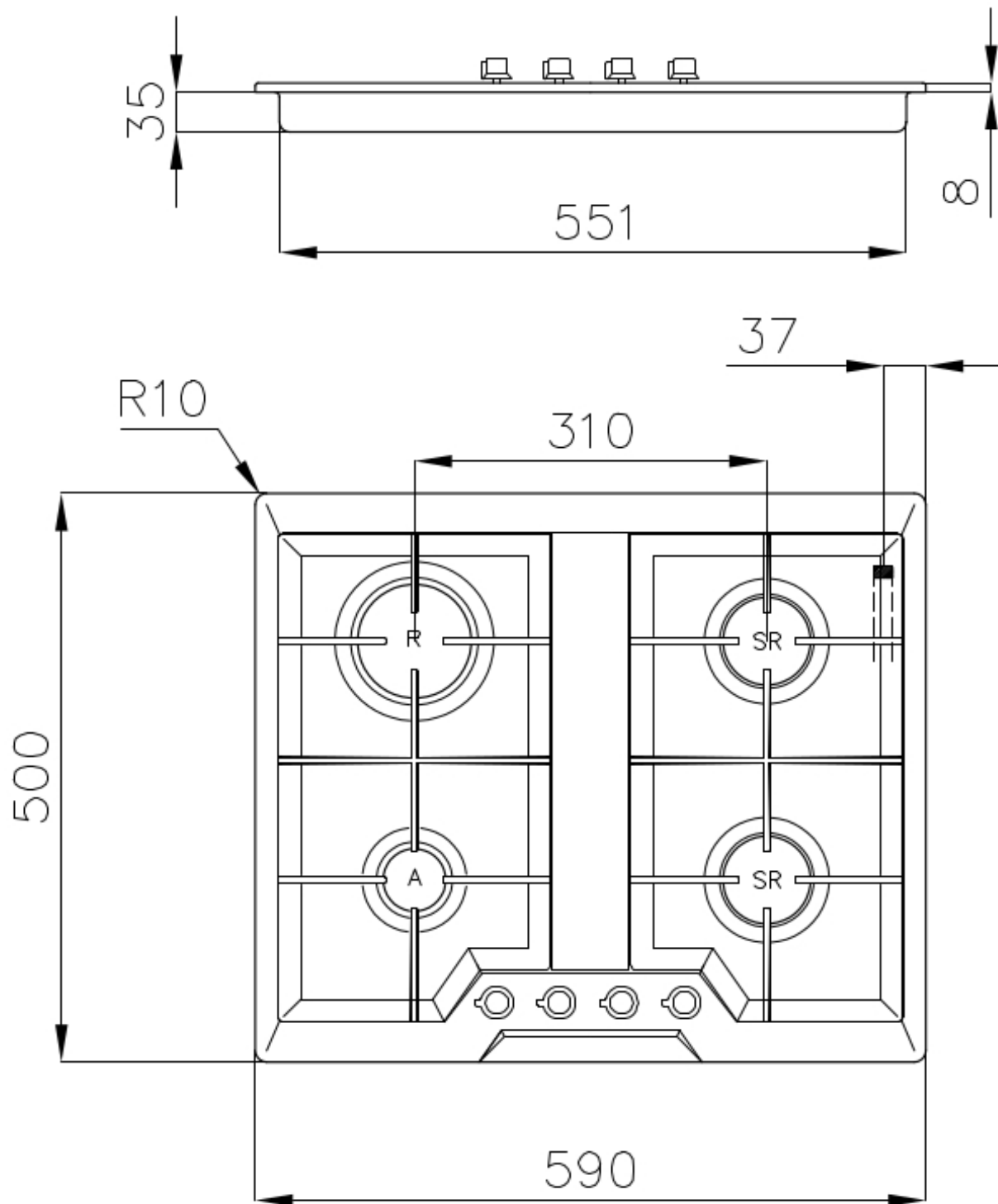
FEATURES

Cast iron grids Cast-iron is the ideal material for an hob grid, this due to the manifold properties characterising it: high heat capacity that improves cooking performance; high weight and stability that improve safety; sturdiness that preserves the hob's original aspect over time; easy cleaning.

Safe cooking All Foster cooker hobs are equipped with safety valves. They shut off the gas supply very quickly if the flame accidentally goes out.

Under-knob ignition The utmost freedom of movement with electronic under-knob ignition, a common feature of all models that allows a one-hand ignition of the burner.

TECHNICAL DATA



GALLERY



RECOMMENDED PAIRINGS



Hood KS 240_002



Sink Elettra