

OUTLINE H25 - GUN METAL



Kitchen Sinks

Code: 6625 006



DETAILS

Coloring Gun Metal

Edge/Installation Type Rim h25 mm

Material AISI 304 stainless steel

Texture Brushed in line

Base 90 cm

Dimensions 880 x 518 mm

Standard fittings Fixing hooks, gasket, drain, overflow and siphon, boxed packing

Mixer holes 2 standard holes - 3rd hole on request

Built-in hole View technical data sheet

Drainer No

Number of bowls 1 bowl

Waste fitting Drain with automatic control SPACE (PUSH)

EQUIPMENT

8407 120 - Space Push
automatic waste fitting
8100 606 - Black grid
8100 607 - Black grid

FEATURES

Deep bowls This bowls reach an important depth, over 20 cm, thanks to the advanced production technology, that can be offer great capieny and practicity in all the washing operations.

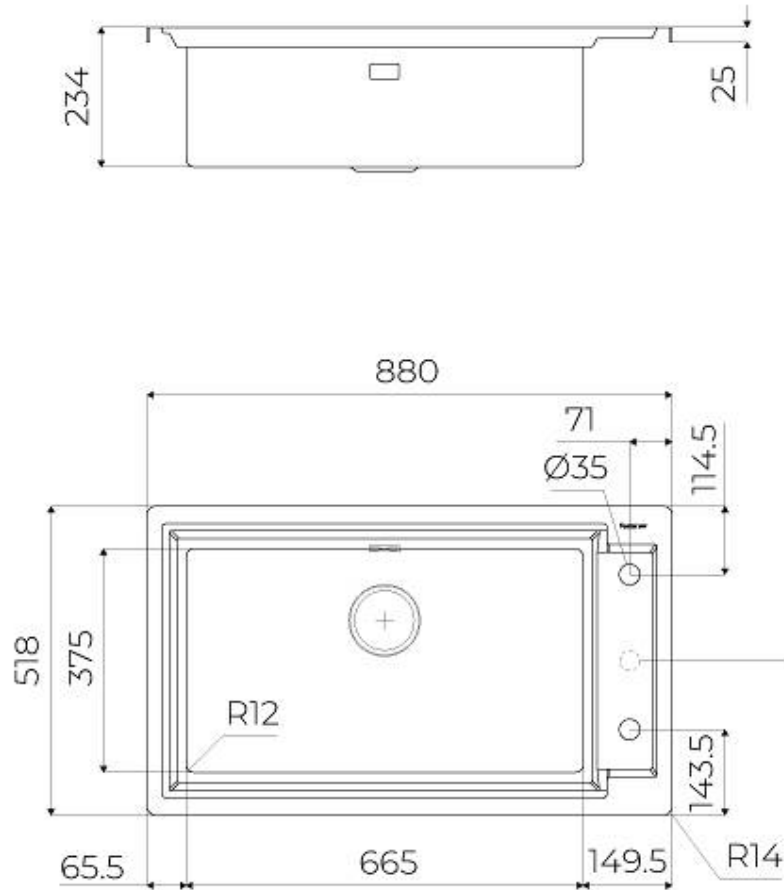
High thickness 1mm thick steel. A significant thickness, which guarantees the maximum sturdiness and durability.

Perimetral overflow The overflow is always a security on the Foster sinks that prevents the overflow of water in case of oversights. The perimeter drain solution improves aesthetics thanks to its square and essential shape.

Small radius Bowls with squared shapes with a modern design and an increased capacity, for a minimal aesthetics connected with an extreme practicity.

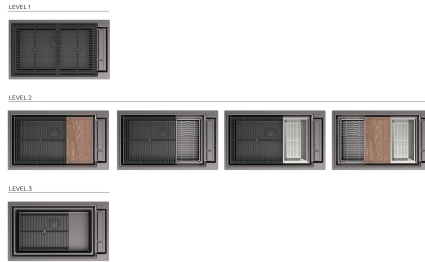
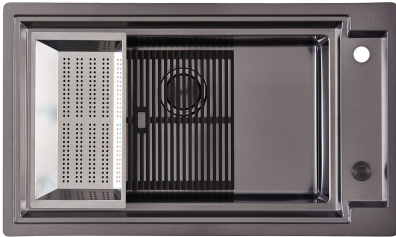
Space waste fitting The elegant SPACE steel cap closes the drain and leaves no visible residues collected in the basket below. Space also has a small footprint and allows the optimal use of the under-sink compartment.

TECHNICAL DATA





GALLERY



EQUIPMENT



Black Grid
8100 606



Black Grid
8100 607



Space Push Gun Metal automatic waste fitting - PO
8407 120

OPTIONAL ACCESSORIES



Stainless steel perforated tray
8156 000



Walnut-wood chopping board
8642 004

RECOMMENDED PAIRINGS



OP GUN METAL satin
8499 106



OUTLINE GAS H25 - GUN METAL
7441 006