

OUTLINE H25

Kitchen Sinks

Code: 6625 000



DETAILS

Edge/Installation Type

Rim h25 mm

Material

AISI 304 stainless steel

Texture

Brushed in line

Base

90 cm

Dimensions

880 x 518 mm

Standard fittings

Fixing hooks, gasket, drain, overflow and siphon, boxed packing

Mixer holes

2 standard holes - 3rd hole on request

Built-in hole

View technical data sheet

Drainer

No

Number of bowls

1 bowl

Waste fitting

Drain with automatic control SPACE (PUSH)

EQUIPMENT

8407 116 - Space Push
automatic waste fitting
8100 606 - Black grid
8100 607 - Black grid

FEATURES

Deep bowls

This bowls reach an important depth, over 20 cm, thanks to the advanced production technology, that can be offer great capieny and practicity in all the washing operations.

High thickness

1mm thick steel. A significant thickness, which guarantees the maximum sturdiness and durability.

Perimetral overflow

The overflow is always a security on the Foster sinks that prevents the overflow of water in case of oversights. The perimeter drain solution improves aesthetics thanks to its square and essential shape.

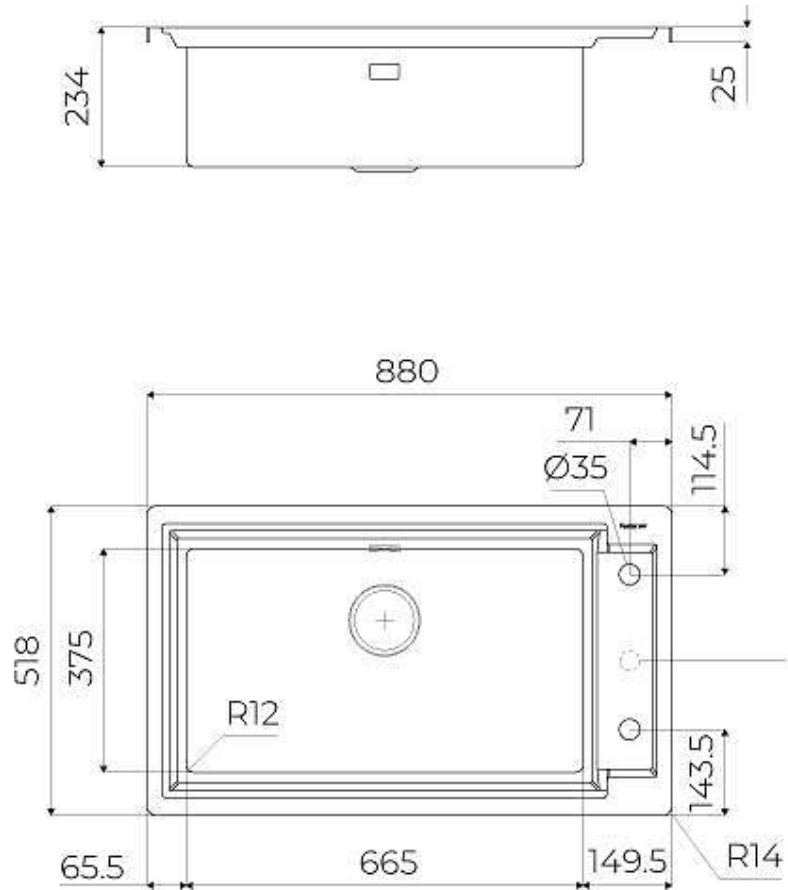
Small radius

Bowls with squared shapes with a modern design and an increased capacity, for a minimal aesthetics connected with an extreme practicity.

Space waste fitting

The elegant SPACE steel cap closes the drain and leaves no visible residues collected in the basket below. Space also has a small footprint and allows the optimal use of the under-sink compartment.

TECHNICAL DATA





GALLERY



EQUIPMENT



Black Grid



Black Grid



Space Push automatic waste fitting

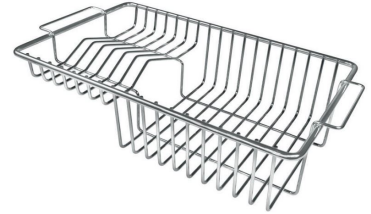
OPTIONAL ACCESSORIES



Stainless steel basket



Stainless steel perforated tray

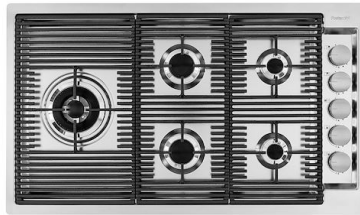


Stainless steel Plate rack

RECOMMENDED PAIRINGS



OP satin



OUTLINE GAS H25