

## OUTLINE



Kitchen Sinks

Code: 6602 000



## DETAILS

Edge/Installation Type	Flush-mount   Top-mount
Material	AISI 304 stainless steel
Texture	Brushed in line
Base	90 cm
Dimensions	873x513 mm
Standard fittings	Fixing hooks, gasket, drain, overflow and siphon, boxed packing
Mixer holes	2 standard holes - 3rd hole on request
Built-in hole	View technical data sheet
Drainer	No

Number of bowls 1 bowl

---

Waste fitting 3,5" drain

---

## EQUIPMENT

8407 116 - Space Push  
automatic waste fitting  
8100 606 - Black grid  
8100 607 - Black grid

---

## FEATURES

**Deep bowls** This bowls reach an important depth, over 20 cm, thanks to the advanced production technology, that can be offer great capiciency and practicity in all the washing operations.

---

**High thickness** 1mm thick steel. A significant thickness, which guarantees the maximum sturdiness and durability.

---

**Perimetral overflow** The overflow is always a security on the Foster sinks that prevents the overflow of water in case of oversights. The perimeter drain solution improves aesthetics thanks to its square and essential shape.

---

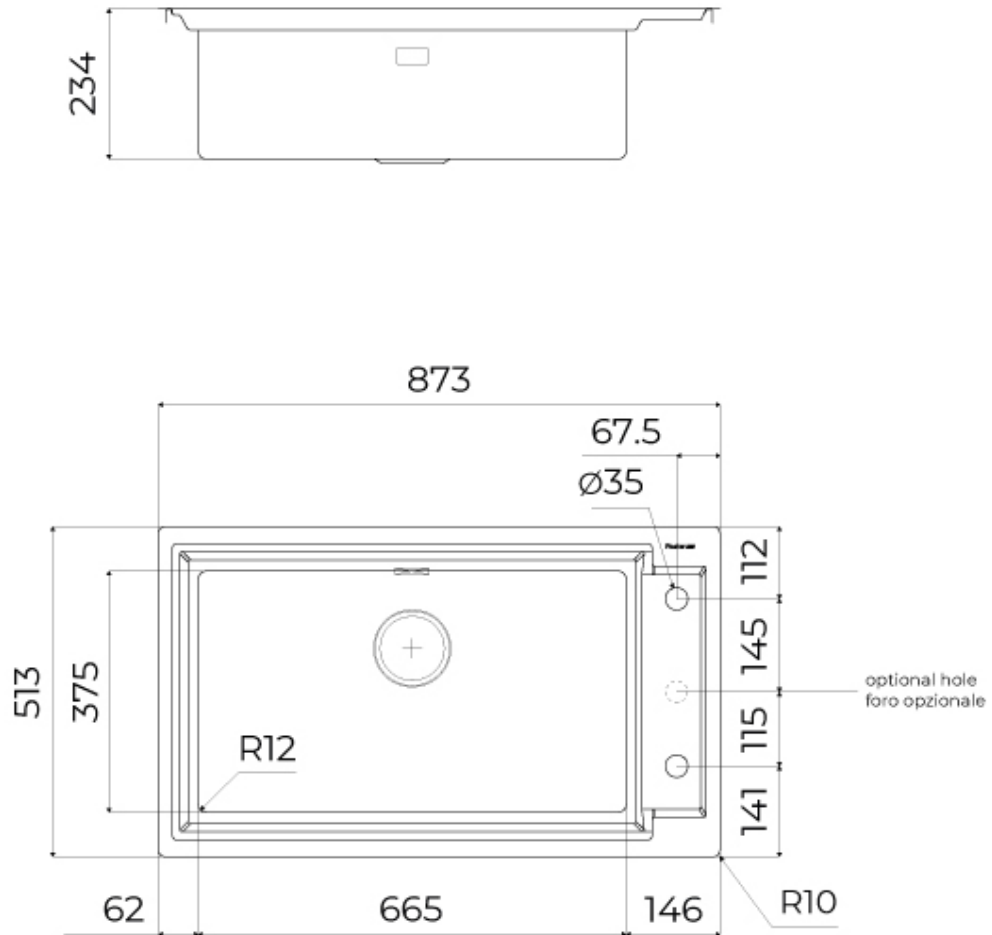
**Small radius** Bowls with squared shapes with a modern design and an increased capacity, for a minimal aesthetics connected with an extreme practicity.

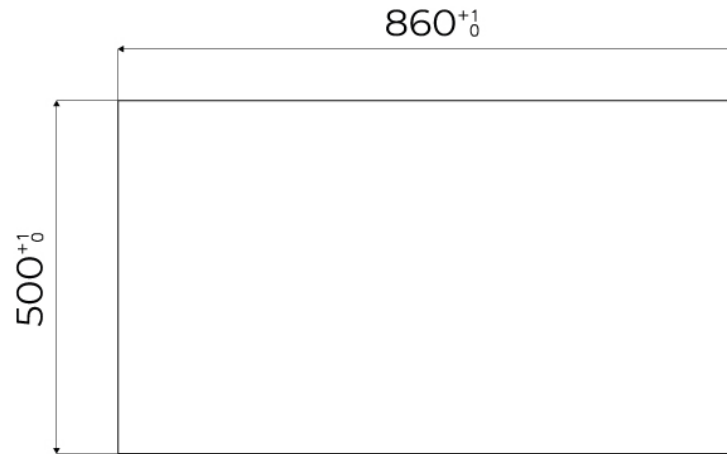
---

**Space waste fitting** The elegant SPACE steel cap closes the drain and leaves no visible residues collected in the basket below. Space also has a small footprint and allows the optimal use of the under-sink compartment.

---

## TECHNICAL DATA

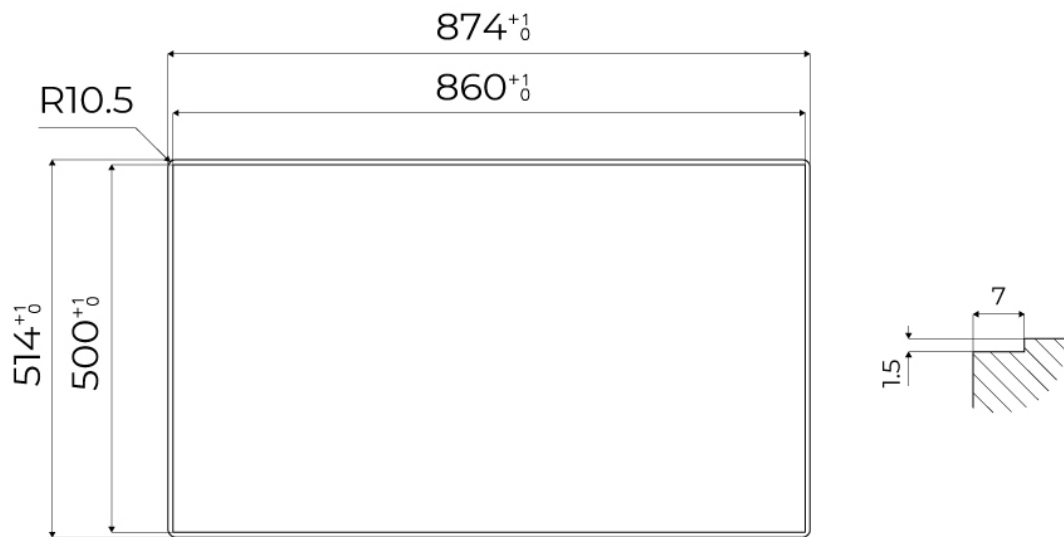




FTS - cut out

FT - cut out

---



## GALLERY



## EQUIPMENT



**Black Grid**  
8100 606



**Black Grid**  
8100 607



**Space Push automatic waste fitting**  
- PP  
8407 116

## OPTIONAL ACCESSORIES



**Stainless steel perforated tray**  
8156 000

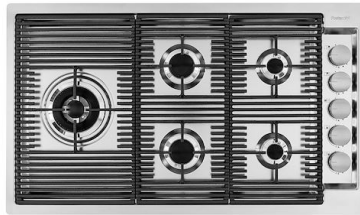


**Walnut-wood chopping board**  
8642 004

## RECOMMENDED PAIRINGS



**OP satin**  
8499 100



**OUTLINE GAS**  
7440 000