

## Sink Elettra

Kitchen Sinks

Code: 5886 060



### DETAILS

Edge/Installation Type      Standard (8 mm Edge)

---

Finish      Foster brushed

---

Material      AISI 304 stainless steel

---

Texture      Foster brushed

---

Base      80-90 cm

---

Dimensions      860x500 mm

---

Standard fittings      Fixing hooks, gasket, drain, overflow and siphon, boxed packing

---

Mixer holes      1 standard hole

---

Built-in hole      840x480 mm

---

Drainer No

---

Width 86 cm

---

Bowl dimension 341x400mm

---

Number of bowls 2 bowls

---

Waste fitting 3,5" drain

---

## FEATURES

**Added value** Foster uses steel thicknesses higher than those used on average by other manufacturers. This is how, thanks to our long experience, we know how to make sinks of superior quality and with a better resistance to aging.

---

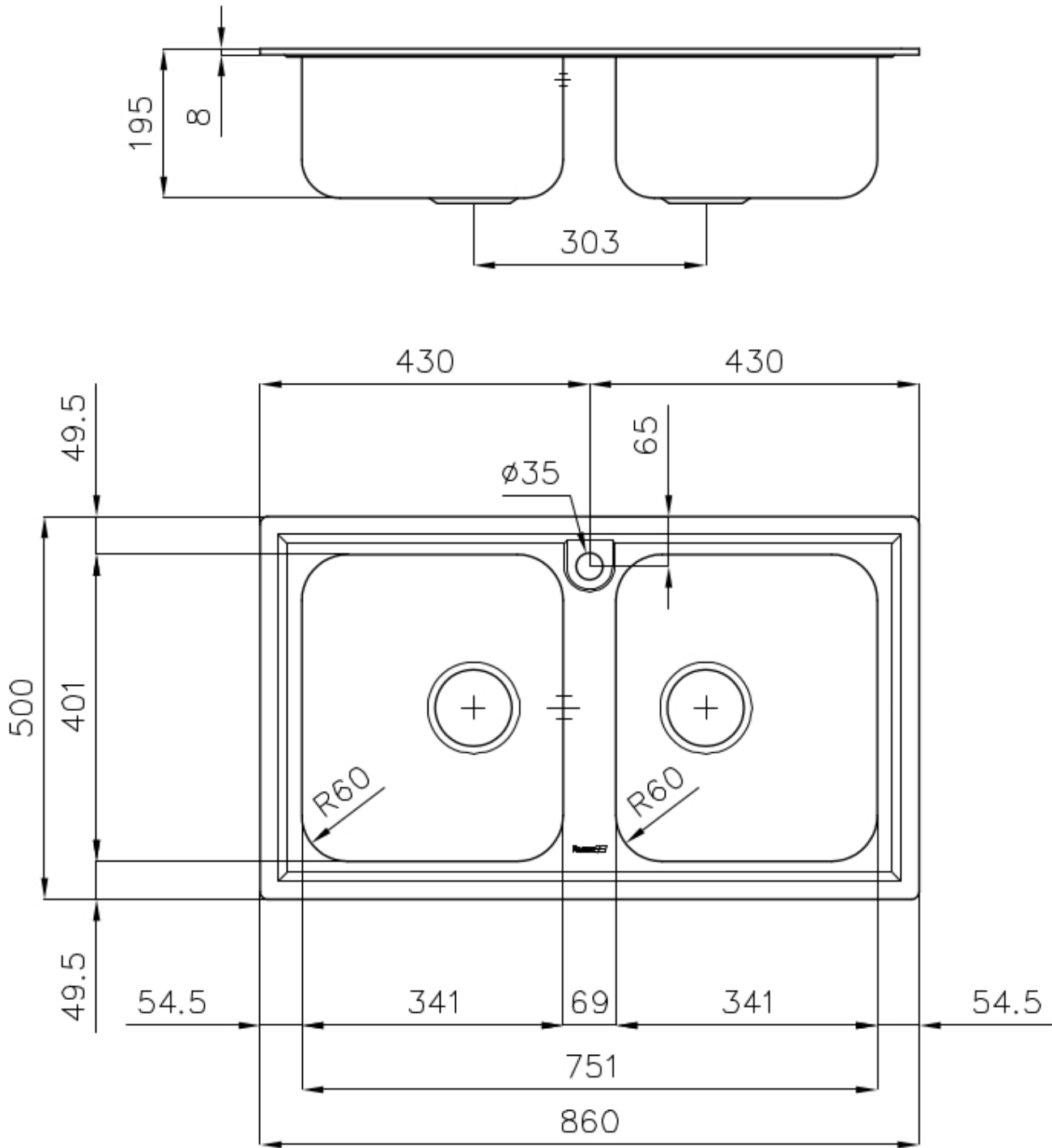
**Basket 3,5" waste fitting** The drain is equipped with a large 3.5" drain, with the practical basket cap that prevents the discharge of solid parts.

---

**Sliding brackets**

---

## TECHNICAL DATA



## GALLERY



## OPTIONAL ACCESSORIES



Glass chopping board



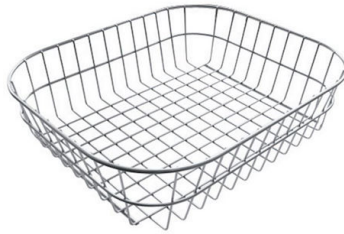
HPDE Chopping board



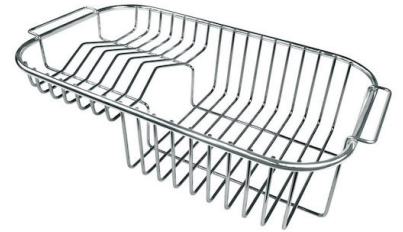
Iroko-wood chopping board



Iroko-wood sliding chopping board



Stainless steel basket



Stainless steel plate rack



White bowl

## RECOMMENDED PAIRINGS



Mixer Tap F2000 - Basso



Mixer Tap Luisa