

## Sink Phantom Base Gun Metal

Recommended for 20 mm thickness

Kitchen Sinks

Code: 5554 246



### DETAILS

Material	AISI 304 stainless steel
Texture	Foster brushed
Finish	PVD
Coloring	Gun Metal
Dimensions	446 x 446 mm
Number of bowls	1 bowl
Bowl dimension	406 x 406 mm
Built-in hole	<a href="#">View technical data sheet</a>
Standard fittings	Drain, Foster overflow and universal corrugated pipe (for installing different overflows), Boxed packing

Waste fitting 3,5" drain

---

Notes: For 20 mm thick sheets

---

## FEATURES

**Gun Metal** The Gun Metal finish is obtained by treating steel with a physical process called PVD (Physical Vacuum Deposition) which deposits particles of noble metals on the surface. The result is a unique and refined aesthetic effect, and an improvement of the mechanical properties of the steel which is more resistant to impact and scratches.

---

**PHANTOM BASE - 20 mm** The Phantom BASE sink's bottoms are specifically engineered to be coupled with sinks made out of slabs. The perimetric trough makes for a simple and perfect installation. This version of Phantom BASE is meant for slabs of 20mm thickness.

---

**PHANTOM BASE WITHOUT WELDING** The steel bottom Phantom BASE solves the problem of water draining of slab sinks, because the slope built into the moulded bottom ensures perfect draining. The radius and sloped profile of Phantom BASE guarantee great practicality and hygiene in everyday cleaning.

---

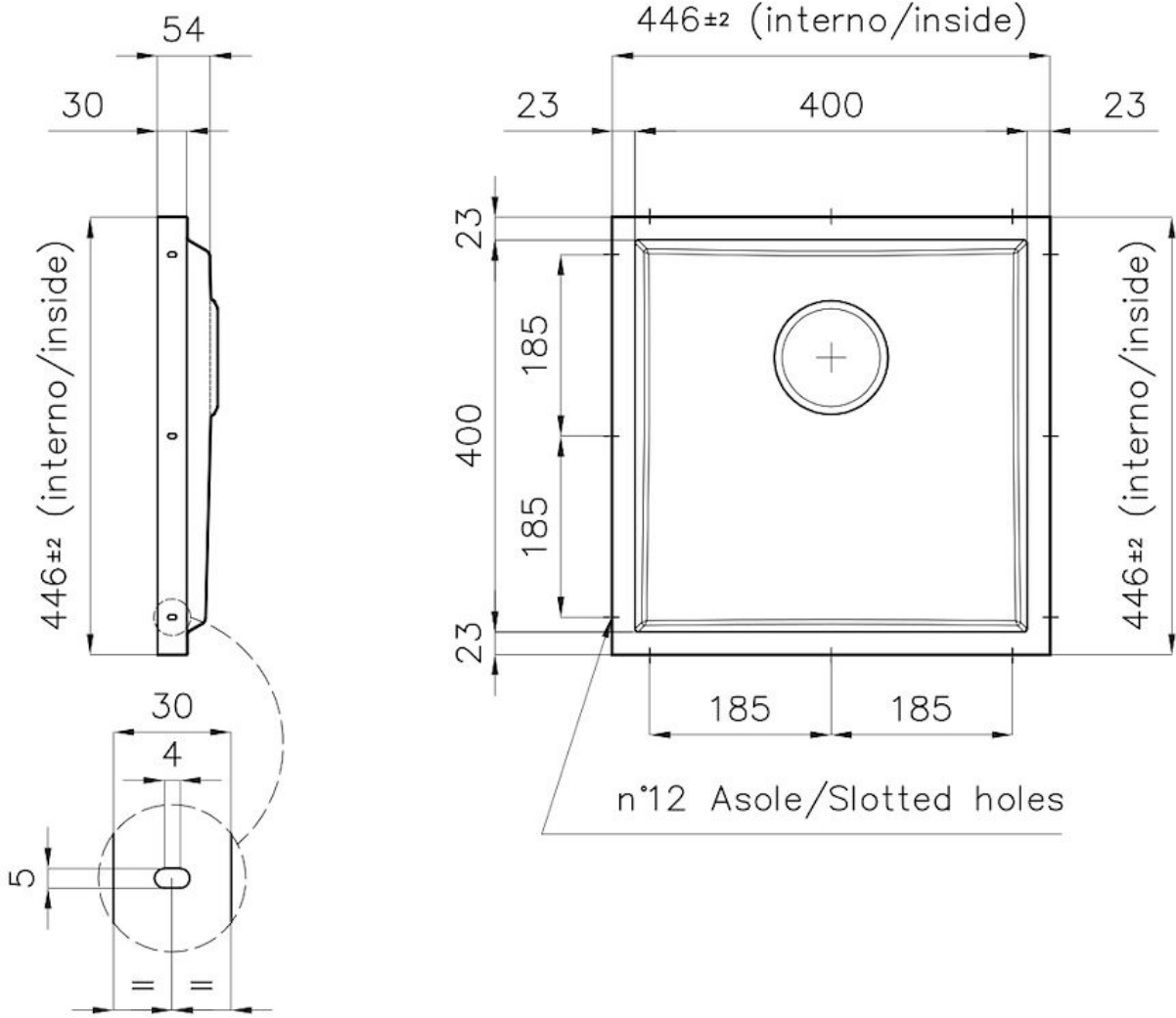
**High thickness** 1mm thick steel. A significant thickness, which guarantees the maximum sturdiness and durability.

---

**Perimetral overflow** The overflow is always a security on the Foster sinks that prevents the overflow of water in case of oversights. The perimeter drain solution improves aesthetics thanks to its square and essential shape.

---

## TECHNICAL DATA







DETTAGLIO PER TROPPO PIENO / OVERFLOW DETAILS

## GALLERY



## OPTIONAL ACCESSORIES



**Black grid**  
8100 651



**HDPE Chopping board**  
8657 001



**Stainless steel plate rack**  
8100 201



**White bowl**  
8153 100

## RECOMMENDED PAIRINGS



**Cooker hob Milanello Gun Metal 5F**  
7682 006



**Mixer Tap Omega Plus Gun Metal**  
8498 856

## OPTIONAL AUTOMATIC WASTE FITTINGS



**Automatic waste fitting**  
8407 100



**Automatic waste fitting**  
8407 000



**Gun Metal automatic waste fitting - PG**  
8407 110



**Space automatic waste fitting - PA**  
8407 108



**Space Light automatic waste fitting - PL**  
8407 117



**Space Push automatic waste fitting - PP**  
8407 116