

Sink Stripe 4504 05x

Kitchen Sinks

Code: 4504 05x

Code: 4504 051 DX (Vasca a destra)

Code: 4504 052 SX (Vasca a sinistra)



DETAILS

Finish Foster brushed

Material AISI 304 stainless steel

Texture Foster brushed

Base 80-90 cm

Edge/Installation Type Flat Edge

Dimensions 1173x513 mm

Standard fittings Fixing hooks, gasket, drain, overflow and siphon, boxed packing

Mixer holes 2 standard holes

Built-in hole 1140x480 mm

Drainer Yes

Width 117 cm

Bowl dimension 750x350mm

Number of bowls 1 bowl

Waste fitting Drain with automatic PM control

EQUIPMENT

1 x Automatic waste fitting
8407 113
1x Knife holder element

FEATURES

High thickness 1mm thick steel. A significant thickness, which guarantees the maximum sturdiness and durability.

Basket 3,5" waste fitting The drain is equipped with a large 3.5" drain, with the practical basket cap that prevents the discharge of solid parts.

2nd / 3rd hole available The sink can be customized with the execution on request of additional holes, usable for double-hole mixers, for remote controlled drains or for the installation of soap dispensers. The positions are marked on the drawings with dotted line holes.

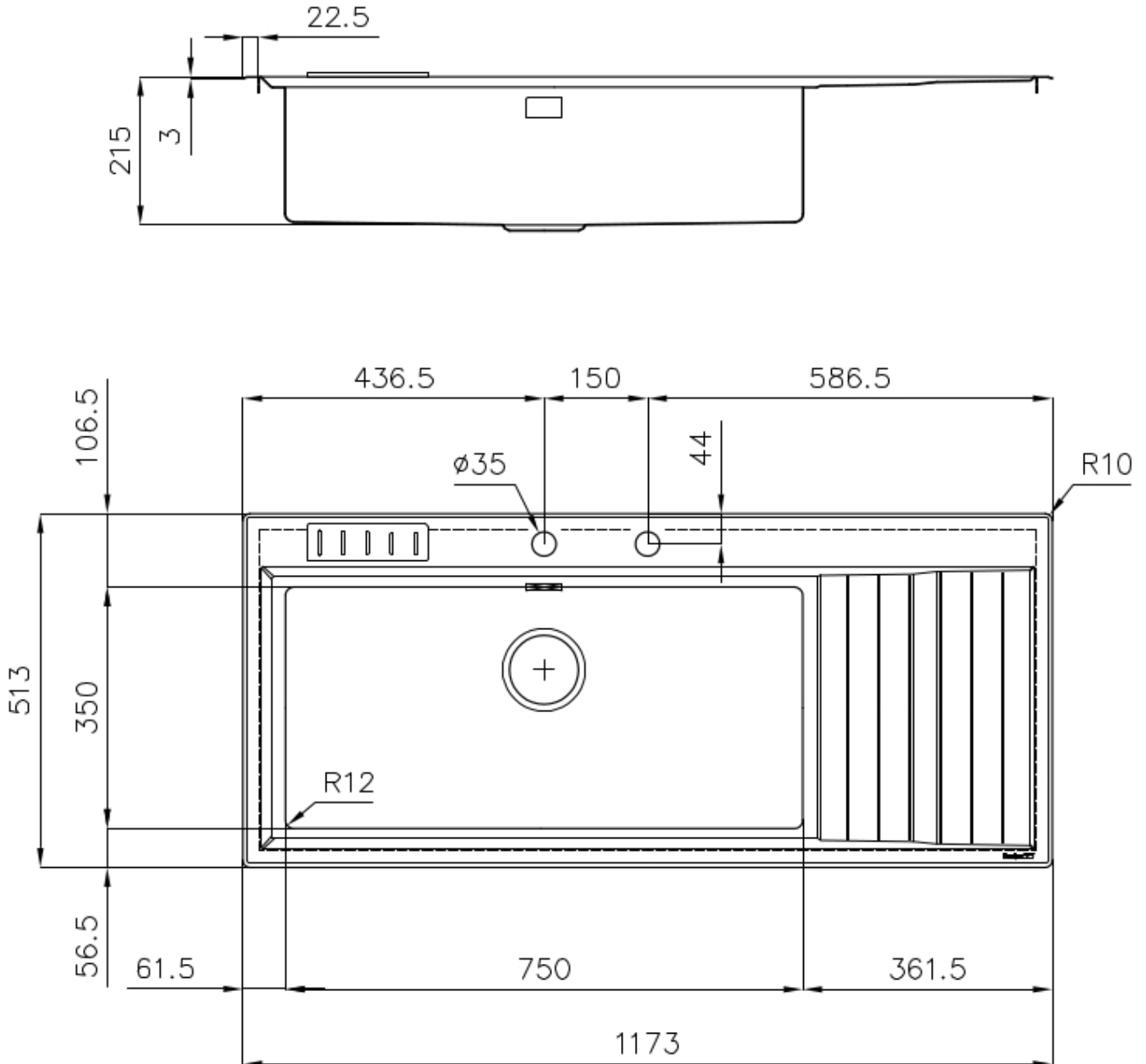
Perimetral overflow The overflow is always a security on the Foster sinks that prevents the overflow of water in case of oversights. The perimeter drain solution improves aesthetics thanks to its square and essential shape.

Small radius Bowls with squared shapes with a modern design and an increased capacity, for a minimal aesthetics connected with an extreme practicality.

Deep bowls

This bowls reach an important depth, over 20 cm, thanks to the advanced production technology, that can be offer great capieny and praticity in all the washing operations.

TECHNICAL DATA



GALLERY



EQUIPMENT

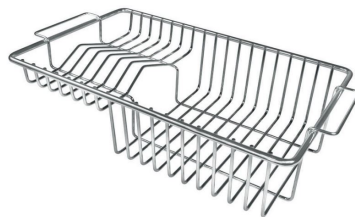


Automatic waste fitting 8407 113

OPTIONAL ACCESSORIES



Chopping board 8643 117



Stainless steel plate rack 8100 305

RECOMMENDED PAIRINGS



Mixer Tap Milanello 8425 100



Mixer Tap NYC 8486 000