

Sink Stripe

Kitchen Sinks

Code: 4504 052



DETAILS

Edge/Installation Type	Flat Edge
Finish	Foster brushed
Material	AISI 304 stainless steel
Texture	Foster brushed
Base	80-90 cm
Dimensions	1173x513 mm
Standard fittings	Fixing hooks, gasket, drain, overflow and siphon, boxed packing
Mixer holes	2 standard holes
Built-in hole	1140x480 mm

Drainer Yes

Width 117 cm

Bowl dimension 750x350mm

Number of bowls 1 bowl

Waste fitting Drain with automatic PM control

EQUIPMENT

1 x Automatic waste fitting
8407 113
1x Knife holder element

FEATURES

2nd / 3rd hole available The sink can be customized with the execution on request of additional holes, usable for double-hole mixers, for remote controlled drains or for the installation of soap dispensers. The positions are marked on the drawings with dotted line holes.

Basket 3,5" waste fitting The drain is equipped with a large 3.5" drain, with the practical basket cap that prevents the discharge of solid parts.

Deep bowls This bowls reach an important depth, over 20 cm, thanks to the advanced production technology, that can be offer great capiciency and praticity in all the washing operations.

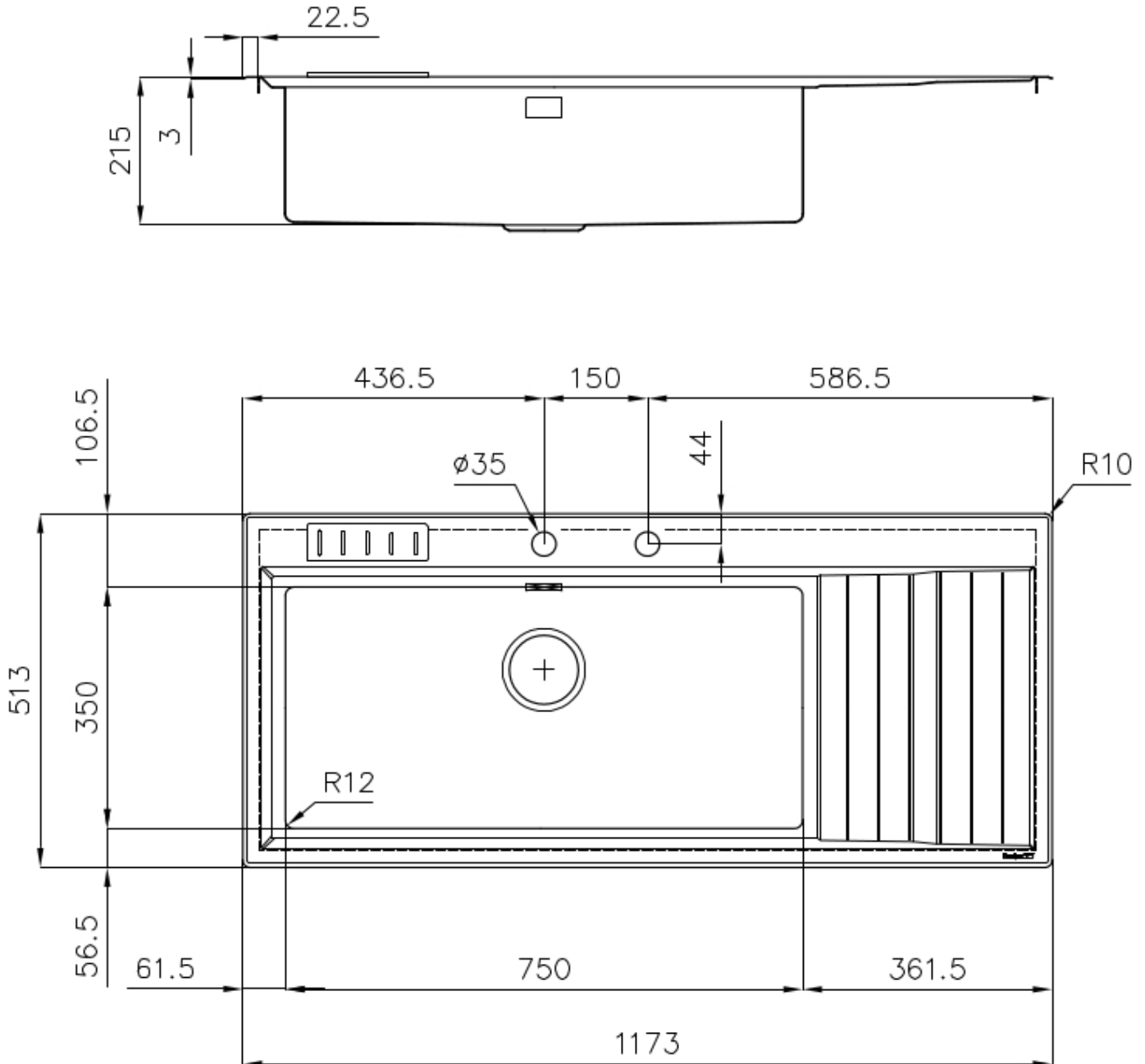
High thickness 1mm thick steel. A significant thickness, which guarantees the maximum sturdiness and durability.

Perimetral overflow The overflow is always a security on the Foster sinks that prevents the overflow of water in case of oversights. The perimeter drain solution improves aesthetics thanks to its square and essential shape.

Small radius

Bowls with squared shapes with a modern design and an increased capacity, for a minimal aesthetics connected with an extreme practicality.

TECHNICAL DATA



GALLERY



EQUIPMENT



Automatic waste fitting

OPTIONAL ACCESSORIES



Iroko-wood chopping board



Stainless steel plate rack

RECOMMENDED PAIRINGS



Mixer Tap Milanello



Mixer Tap NYC