

## Sink Stripe

Bowl on the left

Kitchen Sinks

Code: 4500 052



### DETAILS

|                        |   |
|------------------------|---|
| Edge/Installation Type | Flat Edge   |
| Finish                 | Foster brushed  |
| Material               | AISI 304 stainless steel  |
| Texture                | Foster brushed  |
| Base                   | 60 cm   |
| Dimensions             | 873x513 mm  |
| Standard fittings      | Fixing hooks, gasket, drain, overflow and siphon, boxed packing |
| Mixer holes            | 2 standard holes - 3rd and 4th holes on request                 |
| Built-in hole          | 840 x 480 mm  |

Drainer Yes

---

Width 87 cm

---

Bowl dimension 500 x 350 mm

---

Notes: Preassembled seals

---

Number of bowls 1 bowl

---

Waste fitting Drain with automatic PM control

---

## FEATURES

**ADDITIONAL HOLES AVAILABLE** The sink can be customized with the execution on request of additional holes, usable for double-hole mixers, for remote controlled drains or for the installation of soap dispensers. The positions are marked on the drawings with dotted line holes.

---

**Basket 3,5" waste fitting** The drain is equipped with a large 3.5" drain, with the practical basket cap that prevents the discharge of solid parts.

---

**Deep bowls** This bowls reach an important depth, over 20 cm, thanks to the advanced production technology, that can be offer great capiciency and praticity in all the washing operations.

---

**High thickness** 1mm thick steel. A significant thickness, which guarantees the maximum sturdiness and durability.

---

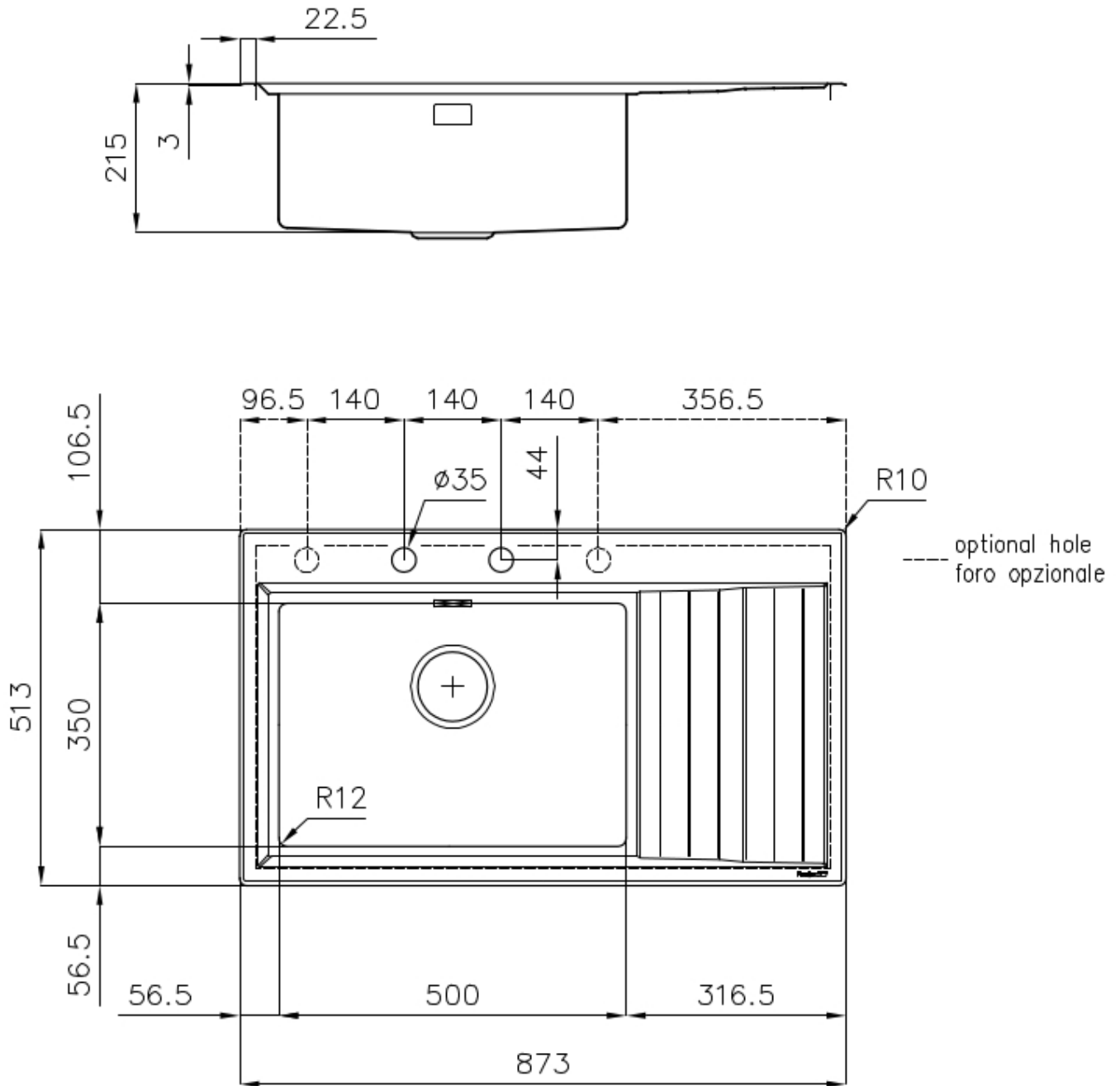
**Perimetral overflow** The overflow is always a security on the Foster sinks that prevents the overflow of water in case of oversights. The perimeter drain solution improves aesthetics thanks to its square and essential shape.

---

**Small radius** Bowls with squared shapes with a modern design and an increased capacity, for a minimal aesthetics connected with an extreme praticity.

---

## TECHNICAL DATA



## GALLERY



## EQUIPMENT



**Automatic waste fitting - PM**  
8407 113

## OPTIONAL ACCESSORIES



**Iroko-wood chopping board**  
8643 117



**Stainless steel plate rack**  
8100 305



**Black grid**  
8100 618

## RECOMMENDED PAIRINGS



**Mixer Tap Milanello**  
8425 100



**Mixer Tap NYC**  
8486 000