

## Sink Stripe

Kitchen Sinks

Code: 4500 052



### DETAILS

Edge/Installation Type	Flat Edge
Finish	Foster brushed
Material	AISI 304 stainless steel
Texture	Foster brushed
Base	60 cm
Dimensions	873x513 mm
Standard fittings	Fixing hooks, gasket, drain, overflow and siphon, boxed packing
Mixer holes	2 standard holes - 3rd and 4th holes on request
Built-in hole	840x480 mm

Drainer Yes

---

Width 87 cm

---

Bowl dimension 500x350mm

---

Notes: Preassembled seals

---

Number of bowls 1 bowl

---

Waste fitting Drain with automatic PM control

---

## FEATURES

**2nd / 3rd hole available** The sink can be customized with the execution on request of additional holes, usable for double-hole mixers, for remote controlled drains or for the installation of soap dispensers. The positions are marked on the drawings with dotted line holes.

---

**Basket 3,5" waste fitting** The drain is equipped with a large 3.5" drain, with the practical basket cap that prevents the discharge of solid parts.

---

**Deep bowls** This bowls reach an important depth, over 20 cm, thanks to the advanced production technology, that can be offer great capiciency and practicity in all the washing operations.

---

**High thickness** 1mm thick steel. A significant thickness, which guarantees the maximum sturdiness and durability.

---

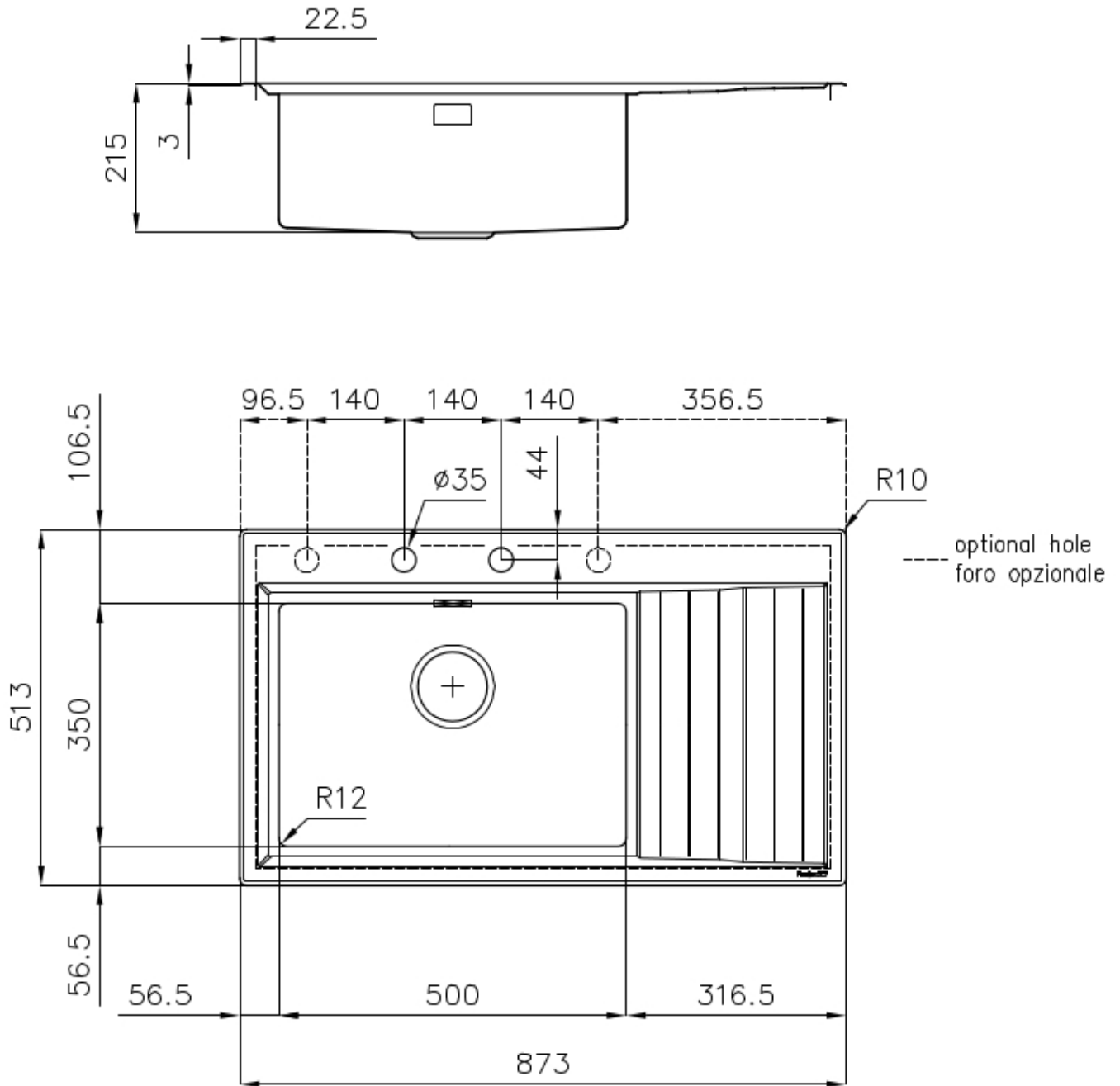
**Perimetral overflow** The overflow is always a security on the Foster sinks that prevents the overflow of water in case of oversights. The perimeter drain solution improves aesthetics thanks to its square and essential shape.

---

**Small radius** Bowls with squared shapes with a modern design and an increased capacity, for a minimal aesthetics connected with an extreme practicity.

---

## TECHNICAL DATA



## GALLERY



## EQUIPMENT



Automatic waste fitting

## OPTIONAL ACCESSORIES



Iroko-wood chopping board



Stainless steel plate rack

## RECOMMENDED PAIRINGS



Mixer Tap Milanello



Mixer Tap NYC