

## Sink Skin 400 Gun Metal

Kitchen Sinks

Code: 4456 046



### DETAILS

Coloring Gun Metal

---

Edge/Installation Type Flush-mount | Top-mount

---

Finish PVD

---

Material AISI 304 stainless steel

---

Texture Foster brushed

---

Base 45 cm

---

Dimensions 440x440 mm

---

Standard fittings Fixing hooks, gasket, drain, overflow and siphon, boxed packing

---

Mixer holes No standard holes

---

Built-in hole [View technical data sheet](#)

---

Drainer No

---

Width 44 cm

---

Bowl dimension 400x400mm

---

Number of bowls 1 bowl

---

Waste fitting Drain SPACE 3,5"

---

Notes: As the product consists of a single seamless steel surface with no gaps or interstices, the use of garbage disposal and waste fitting with automatic control is not permitted.

---

## FEATURES

**Gun Metal** The Gun Metal finish is obtained by treating steel with a physical process called PVD (Physical Vacuum Deposition) which deposits particles of noble metals on the surface. The result is a unique and refined aesthetic effect, and an improvement of the mechanical properties of the steel which is more resistant to impact and scratches.

---

**ONE SEAMLESS STEEL SURFACE** The waste-fitting and overflow are moulded on the sink. The product is therefore made out of one seamless steel surface, without gaps or interstices. A great plus in terms of hygiene.

---

**Deep bowls** This bowls reach an important depth, over 20 cm, thanks to the advanced production technology, that can be offer great capieny and practicity in all the washing operations.

---

**High thickness** 1mm thick steel. A significant thickness, which guarantees the maximum sturdiness and durability.

---

**Perimetral overflow** The overflow is always a security on the Foster sinks that prevents the overflow of water in case of oversights. The perimeter drain solution improves aesthetics thanks to its square and essential shape.

---

## Save space system

Drain and siphon are designed to leave as much space as possible in the under-sink area, more and more useful today for theseparate waste collection systems.

---

## Small radius

Bowls with squared shapes with a modern design and an increased capacity, for a minimal aesthetics connected with an extreme praticity.

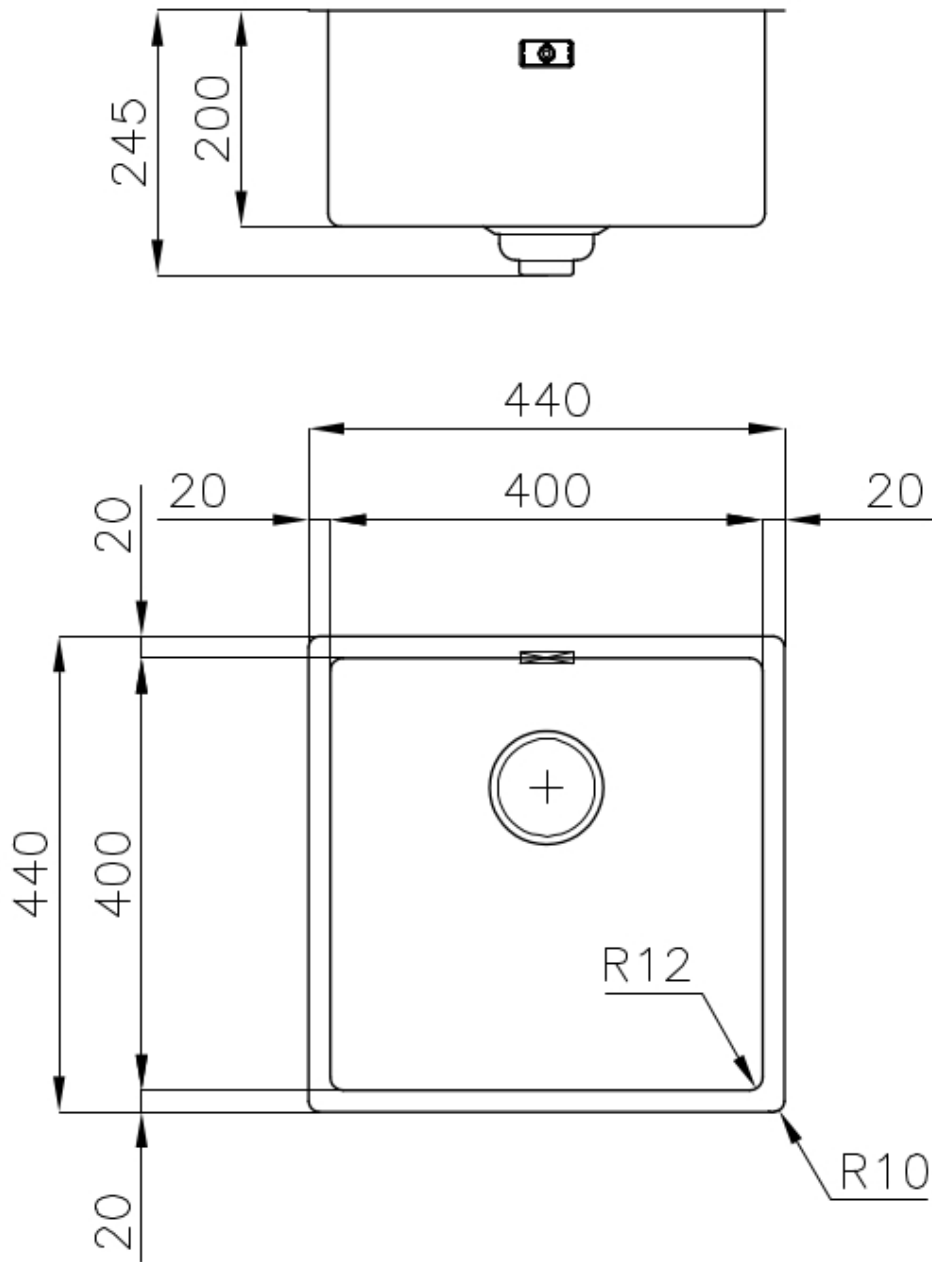
---

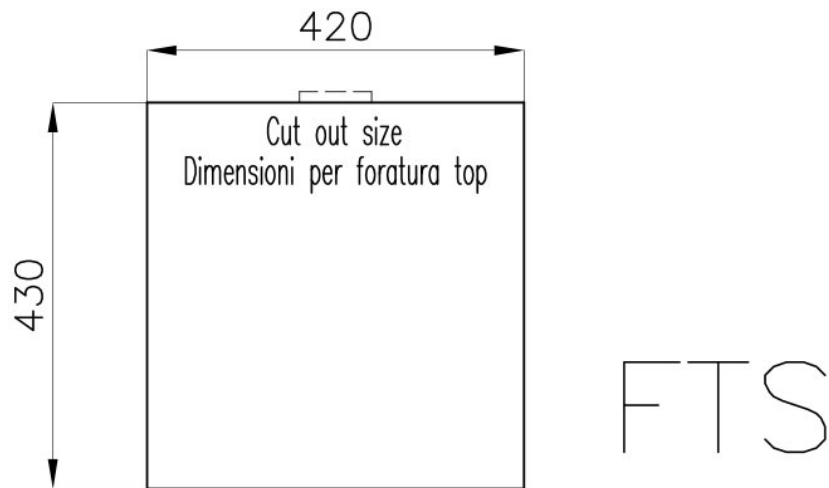
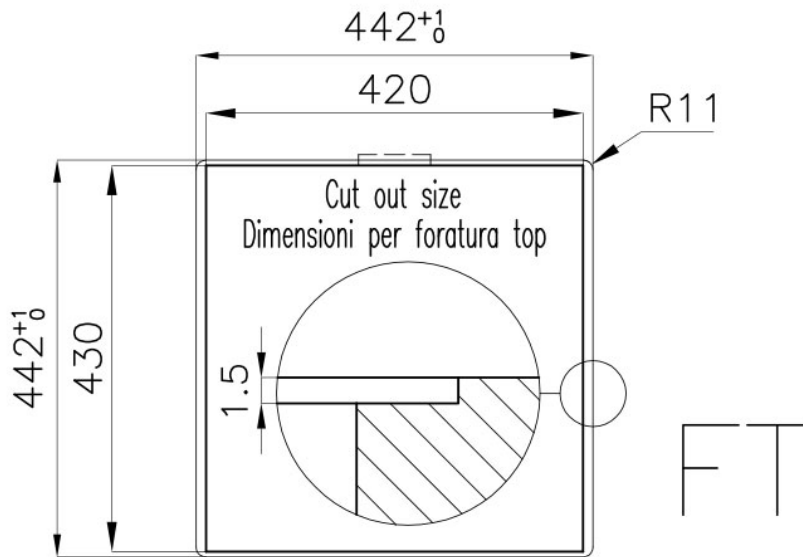
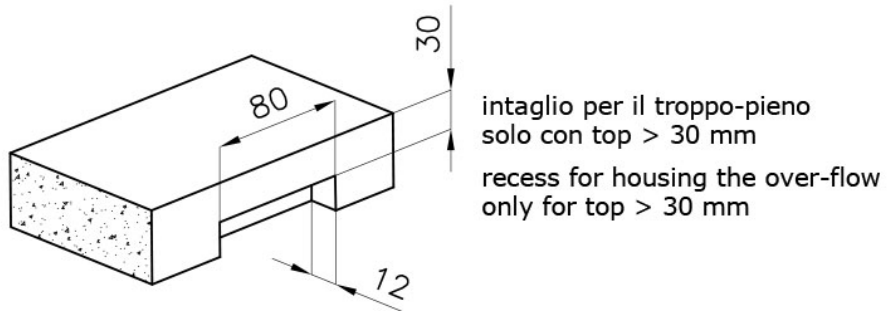
## Space waste fitting

The elegant SPACE steel cap closes the drain and leaves no visible residues collected in the basket below. Space also has a small footprint and allows the optimal use of the under-sink compartment.

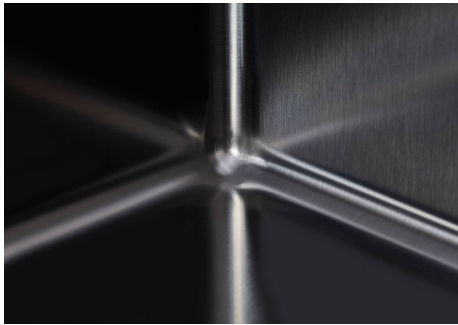
---

## TECHNICAL DATA





## GALLERY



## OPTIONAL ACCESSORIES



Glass chopping board



HPDE Twin chopping board



Iroko-wood twin chopping board



Stainless steel colander



White bowl



Stainless steel plate rack



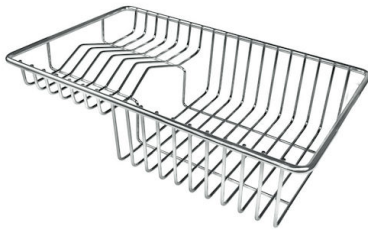
Graters kit with ring-holder and food collection tray



Stainless steel perforated tray



Stainless steel basket



Stainless steel plate rack



Stainless steel plate rack

**WARNING:**

The accessories 8159101, 8151000 and 8100303 are only usable in combination with 8644101  
The accessories 8100154 and 8154000 are only usable in combination with 8644004

## RECOMMENDED PAIRINGS



Mixer Tap Omega Matt Black



Mixer Tap Omega Plus Matt Black



Mixer Tap Skin Gun Metal



VELA PLUS GUN METAL satin