

## Sink Skin 530

Kitchen Sinks

Code: 4453 040



### DETAILS

Edge/Installation Type	Flush-mount   Top-mount
Material	AISI 304 stainless steel
Texture	Foster brushed
Base	60 cm
Dimensions	570x440 mm
Standard fittings	Fixing hooks, gasket, drain, overflow and siphon, boxed packing
Mixer holes	No standard holes
Built-in hole	View technical data sheet
Drainer	No

Width 57 cm

---

Bowl dimension 530x400mm

---

Number of bowls 1 bowl

---

Waste fitting Drain SPACE 3,5"

---

Notes: As the product consists of a single seamless steel surface with no gaps or interstices, the use of garbage disposal and waste fitting with automatic control is not permitted.

---

## FEATURES

**ONE SEAMLESS STEEL SURFACE** The waste-fitting and overflow are moulded on the sink. The product is therefore made out of one seamless steel surface, without gaps or interstices. A great plus in terms of hygiene.

---

**Deep bowls** This bowls reach an important depth, over 20 cm, thanks to the advanced production technology, that can be offer great capiciency and practicity in all the washing operations.

---

**High thickness** 1mm thick steel. A significant thickness, which guarantees the maximum sturdiness and durability.

---

**Perimetral overflow** The overflow is always a security on the Foster sinks that prevents the overflow of water in case of oversights. The perimeter drain solution improves aesthetics thanks to its square and essential shape.

---

**Save space system** Drain and siphon are designed to leave as much space as possible in the under-sink area, more and more useful today for theseparate waste collection systems.

---

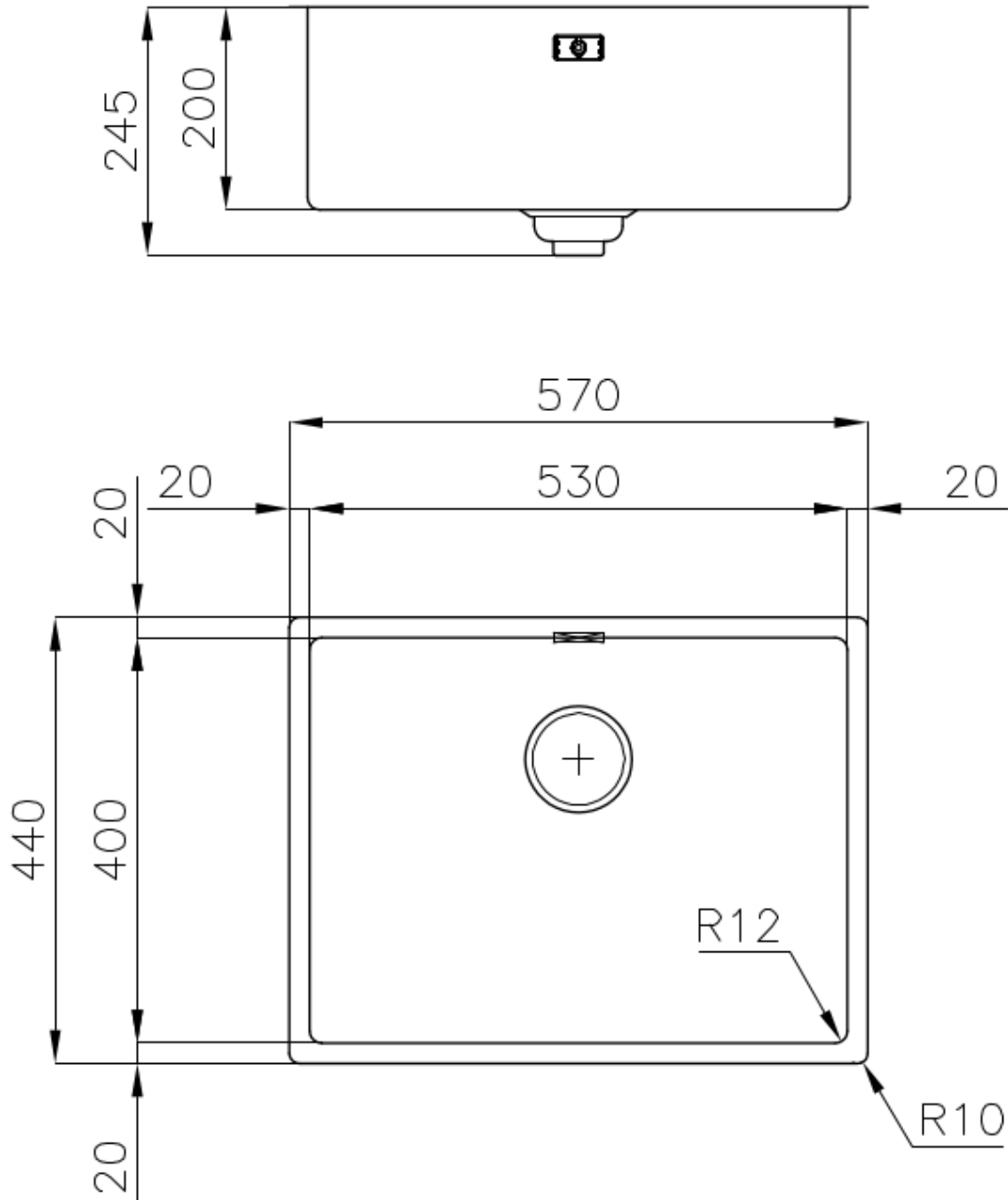
**Small radius** Bowls with squared shapes with a modern design and an increased capacity, for a minimal aesthetics connected with an extreme practicity.

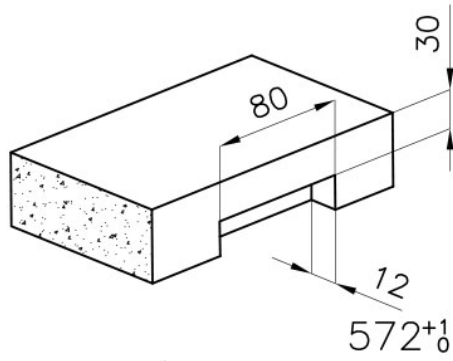
---

**Space waste fitting** The elegant SPACE steel cap closes the drain and leaves no visible residues collected in the basket below. Space also has a small footprint and allows the optimal use of the under-sink compartment.

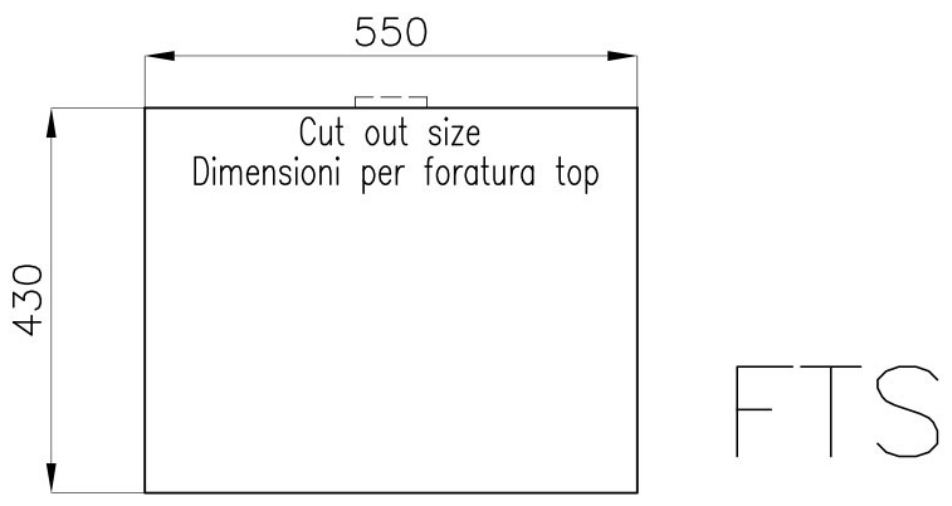
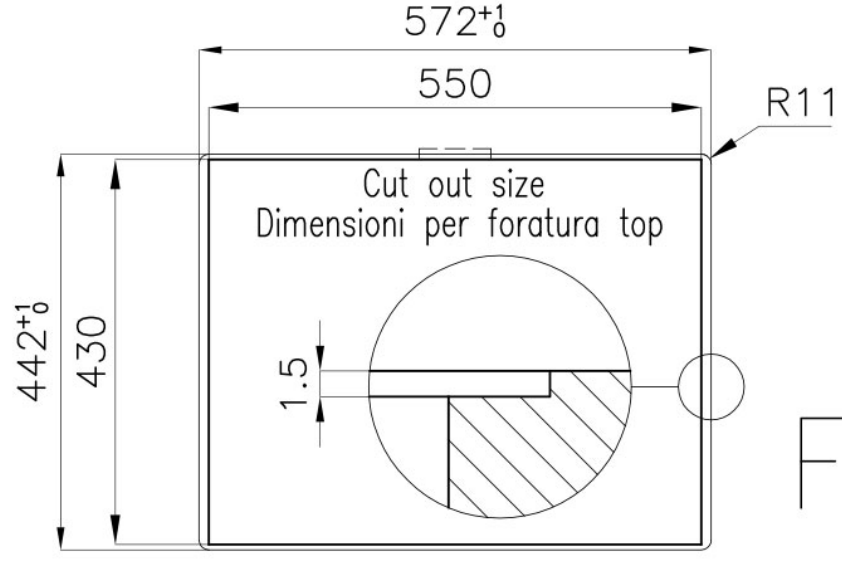
---

## TECHNICAL DATA

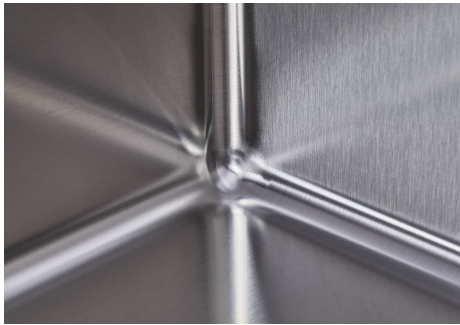




intaglio per il troppo-pieno  
solo con top > 30 mm  
recess for housing the over-flow  
only for top > 30 mm



## GALLERY



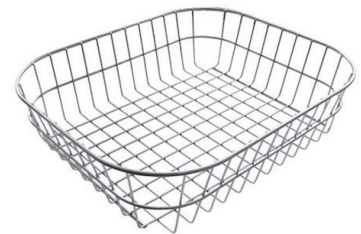
## OPTIONAL ACCESSORIES



Glass chopping board



Iroko-wood sliding chopping board with stainless steel colander



Stainless steel basket



HPDE Twin chopping board



Iroko-wood twin chopping board



Stainless steel colander



White bowl



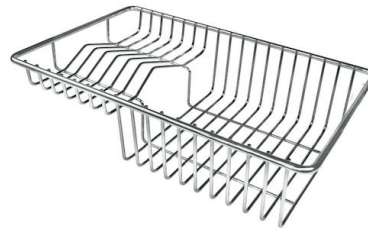
Stainless steel plate rack



Graters kit with ring-holder and food collection tray



Stainless steel perforated tray



Stainless steel plate rack



Stainless steel plate rack

**WARNING:**

The accessories 8159101, 8151000 and 8100303 are only usable in combination with 8644101  
The accessories 8100154 and 8154000 are only usable in combination with 8644004

## RECOMMENDED PAIRINGS



Mixer Tap Skin



VELA PLUS satin