

## Sink Phantom Gun Metal



Kitchen Sinks

Code: 4371 056



### DETAILS

Edge/Installation Type Undermount

---

Material AISI 304 stainless steel

---

Texture Brushed in line

---

Finish PVD

---

Coloring Gun Metal

---

Base 80 cm

---

Width 72.6 cm

---

Dimensions 726x416 mm

---

Bowl dimension 710 x 400 mm

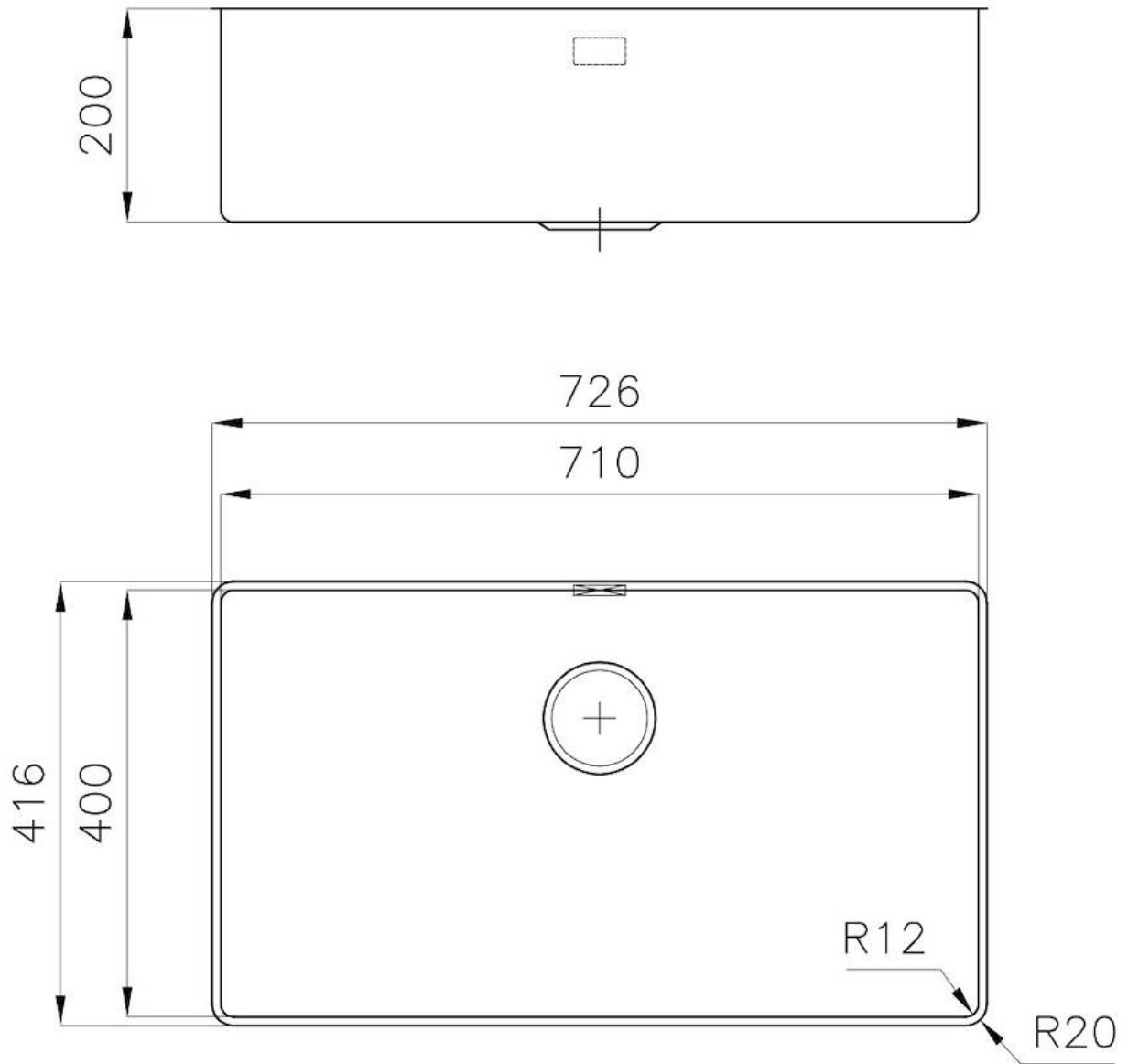
---

|                   |                                                         |
|-------------------|---------------------------------------------------------|
| Built-in hole     | View technical data sheet                               |
| Standard fittings | Fixing hooks, drain, overflow and siphon, boxed packing |
| Mixer holes       | No standard holes                                       |
| Drainer           | No                                                      |
| Waste fitting     | 3,5" drain                                              |
| Number of bowls   | 1 bowl                                                  |

## FEATURES

|                           |                                                                                                                                                                                                                                                                                                                                                |
|---------------------------|------------------------------------------------------------------------------------------------------------------------------------------------------------------------------------------------------------------------------------------------------------------------------------------------------------------------------------------------|
| Basket 3,5" waste fitting | The drain is equipped with a large 3.5" drain, with the practical basket cap that prevents the discharge of solid parts.                                                                                                                                                                                                                       |
| Deep bowls                | This bowls reach an important depth, over 20 cm, thanks to the advanced production technology, that can be offer great capieny and practicity in all the washing operations.                                                                                                                                                                   |
| Gun Metal                 | The Gun Metal finish is obtained by treating steel with a physical process called PVD (Phisical Vacuum Deposition) which deposits particles of noble metals on the surface. The result is a unique and refined aesthetic effect, and an improvement of the mechanical properties of the steel which is more resistant to impact and scratches. |
| High thickness            | 1mm thick steel. A significant thickness, which guarantees the maximum sturdiness and durability.                                                                                                                                                                                                                                              |
| Perimetral overflow       | The overflow is always a security on the Foster sinks that prevents the overflow of water in case of oversights. The perimeter drain solution improves aesthetics thanks to its square and essential shape.                                                                                                                                    |
| Small radius              | Bowls with squared shapes with a modern design and an increased capacity, for a minimal aesthetics connected with an extreme practicity.                                                                                                                                                                                                       |

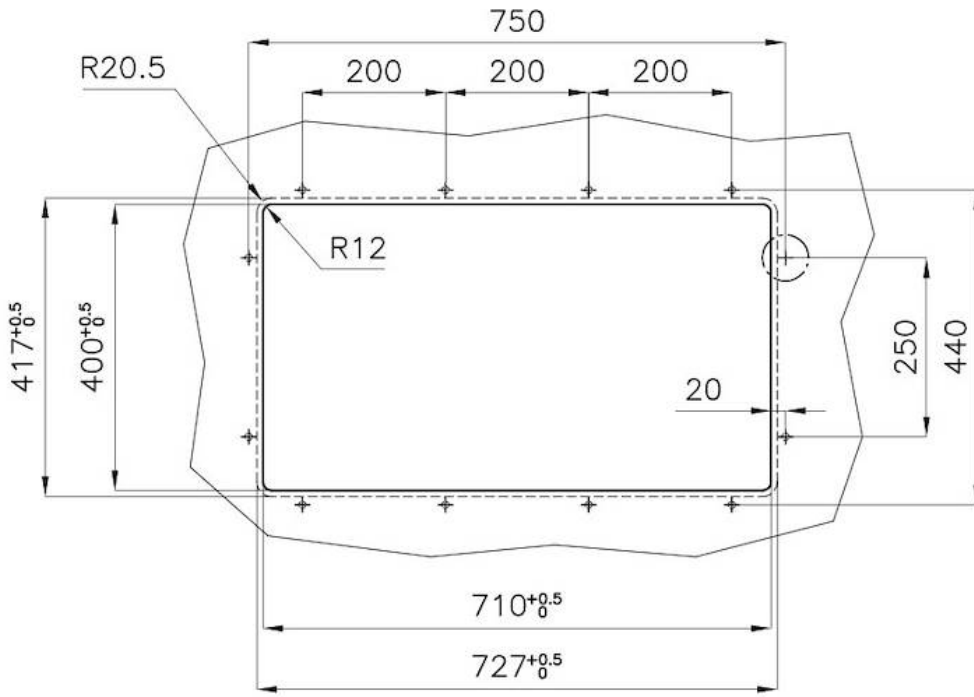
## TECHNICAL DATA



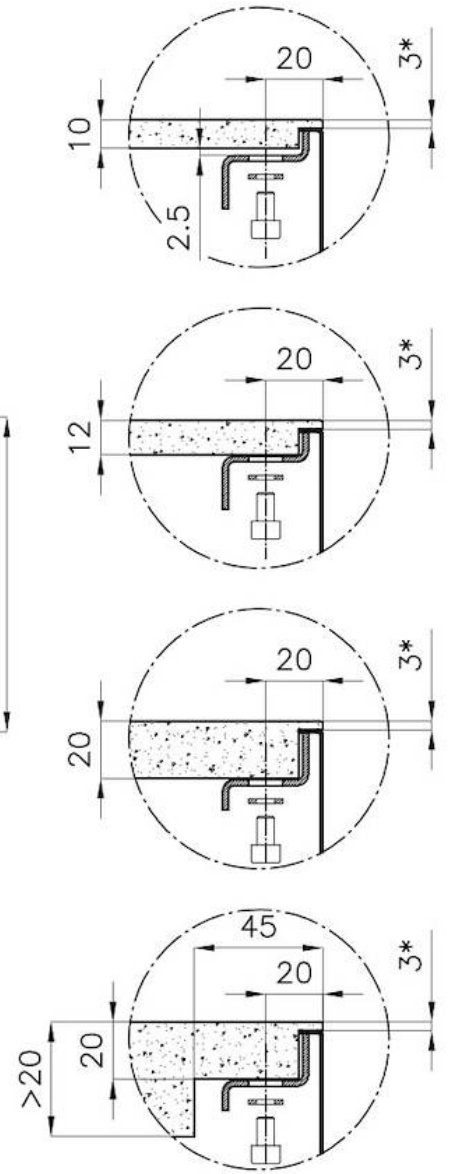


\* Lo spessore minimo deve essere valutato in base alla resistenza del materiale

\* The minimum thickness must be determined according to the strength of the material

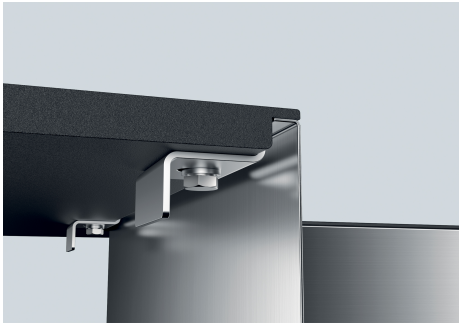


Posizioni fori per fissaggio  
Fixing hole positions



\*spessore minimo consigliato che deve essere valutato in base alla resistenza del materiale.  
\*minimum recommended thickness that must be evaluated in reference to the material's resistance.

## GALLERY



## OPTIONAL ACCESSORIES



**Glass chopping board**  
8631 300



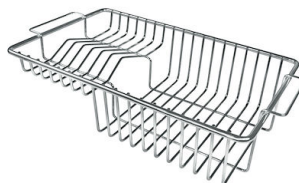
**HDPE Chopping board**  
8657 001



**HPDE Twin chopping board**  
8644 101



**Stainless steel plate rack**  
8100 303



**Stainless steel plate rack**  
8100 201



**White bowl**  
8153 100

\* only in combination with the accessory  
8644 101



**Black grid**  
8100 617



**Black grid**  
8100 653



**Graters kit with ring-holder and food collection tray**

8159 101  
\* only in combination with the accessory  
8644 101



**Stainless steel perforated tray**

8151 000

\* only in combination with the accessory  
8644 101



**Stainless steel perforated tray PVD**

**Copper**

8151 008

\* only in combination with the accessory  
8644 101



**Stainless steel perforated tray PVD**

**Gold**

8151 009

\* only in combination with the accessory  
8644 101



**Stainless steel perforated tray PVD**

**Gun Metal**

8151 006

\* only in combination with the accessory  
8644 101

## OPTIONAL AUTOMATIC WASTE FITTINGS



**Automatic waste fitting - PM**  
8407 113



**Space automatic waste fitting - PA**  
8407 108



**Space automatic waste fitting - PE**  
8407 109



**Space Light automatic waste fitting  
- PL**  
8407 117



**Space Push automatic waste fitting  
- PP**  
8407 116