

## Sink Phantom

Kitchen Sinks

Code: 4371 051



### DETAILS

Edge/Installation Type	Undermount
Material	AISI 304 stainless steel
Texture	Brushed in line
Finish	Foster brushed
Base	80 cm
Width	72.6 cm
Dimensions	726x416 mm
Bowl dimension	710 x 400 mm
Built-in hole	<a href="#">View technical data sheet</a>

Standard fittings                      Fixing hooks, drain, overflow and siphon, boxed packing

---

Mixer holes                              No standard holes

---

Drainer                                    No

---

Waste fitting                            3,5" drain

---

Number of bowls                        1 bowl

---

## FEATURES

Basket 3,5" waste fitting              The drain is equipped with a large 3.5" drain, with the practical basket cap that prevents the discharge of solid parts.

---

Deep bowls                              This bowls reach an important depth, over 20 cm, thanks to the advanced production technology, that can be offer great capiciency and practicity in all the washing operations.

---

High thickness                           1mm thick steel. A significant thickness, which guarantees the maximum sturdiness and durability.

---

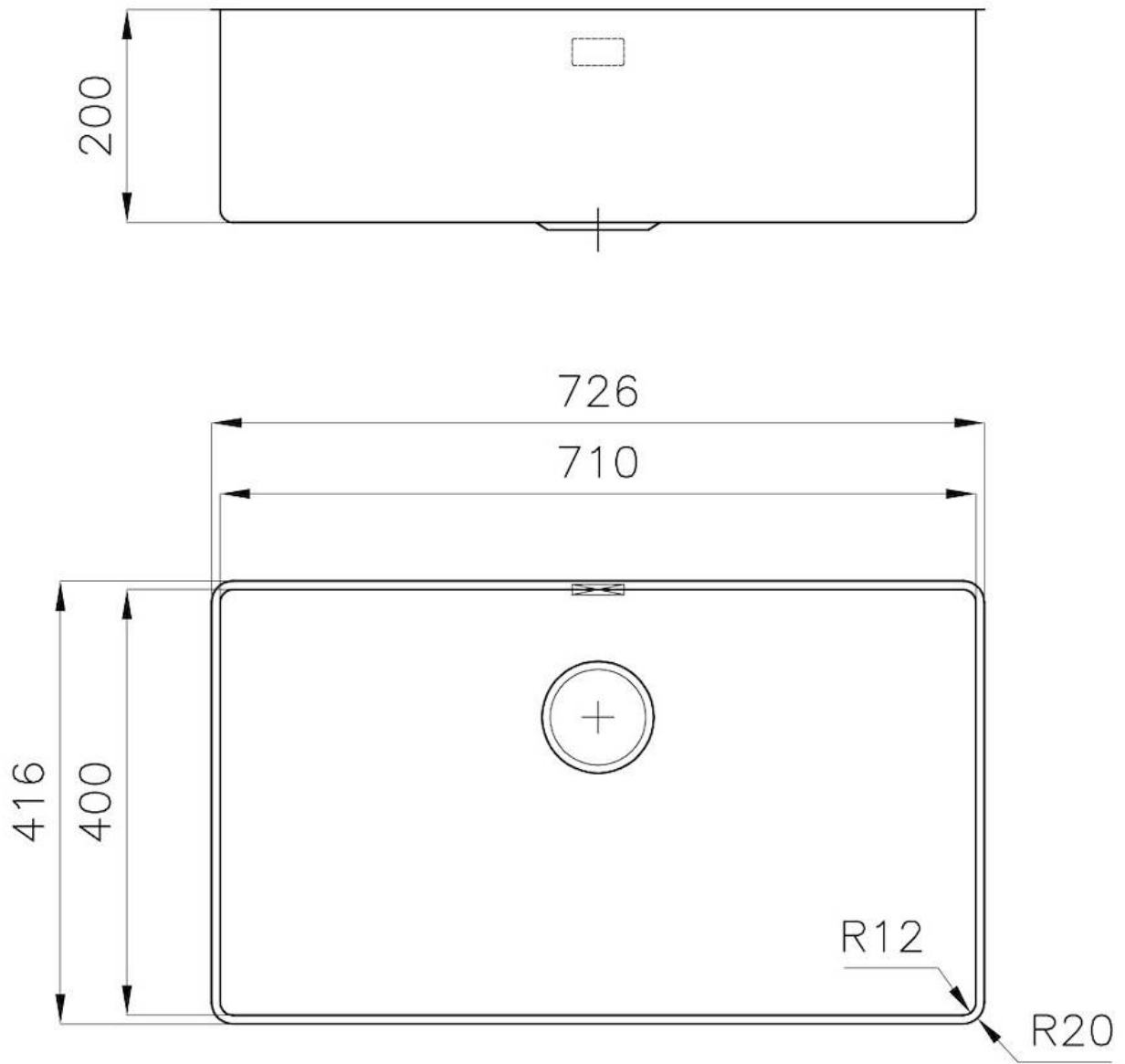
Perimetral overflow                    The overflow is always a security on the Foster sinks that prevents the overflow of water in case of oversights. The perimeter drain solution improves aesthetics thanks to its square and essential shape.

---

Small radius                             Bowls with squared shapes with a modern design and an increased capacity, for a minimal aesthetics connected with an extreme practicity.

---

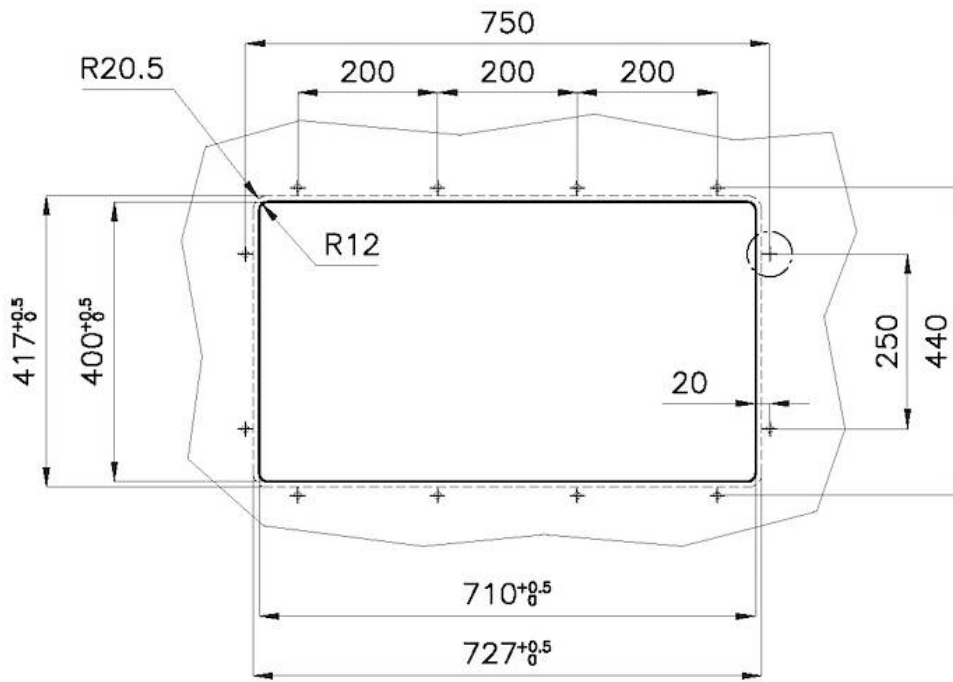
## TECHNICAL DATA



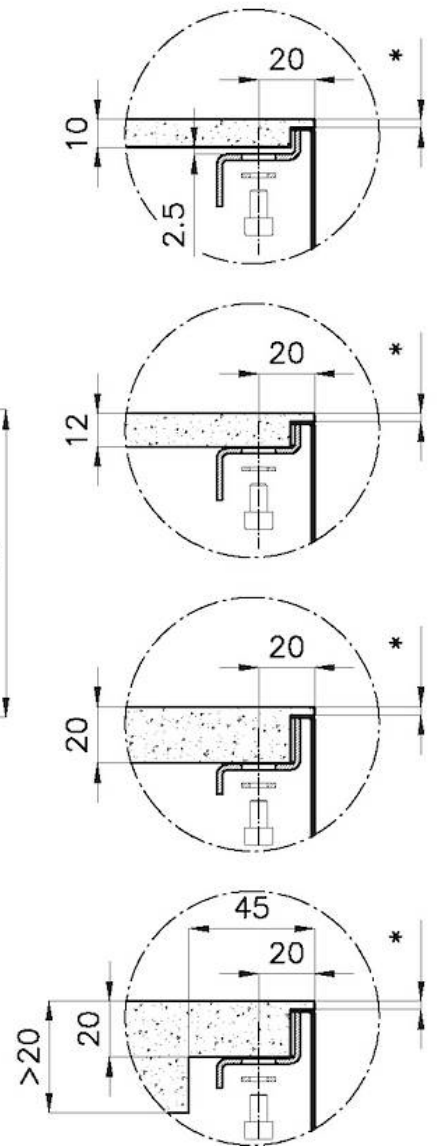


\* Lo spessore minimo deve essere valutato in base alla resistenza del materiale

\* The minimum thickness must be determined according to the strength of the material



Posizioni fori per fissaggio  
Fixing hole positions



\* Lo spessore minimo deve essere valutato in base alla resistenza del materiale  
\* The minimum thickness must be determined according to the strength of the material

## GALLERY



## OPTIONAL ACCESSORIES



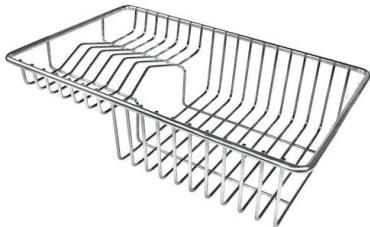
**Glass chopping board**  
8631 300



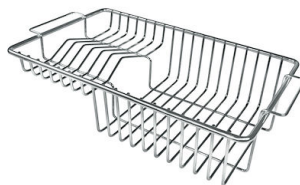
**HDPE Chopping board**  
8657 001



**HPDE Twin chopping board**  
8644 101



**Stainless steel plate rack**  
8100 303



**Stainless steel plate rack**  
8100 201



**White bowl**  
8153 100

\* only in combination with the accessory  
8644 101



**Black grid**  
8100 617



**Black grid**  
8100 653



**Graters kit with ring-holder and food collection tray**

8159 101  
\* only in combination with the accessory  
8644 101



**Stainless steel perforated tray**

8151 000

\* only in combination with the accessory  
8644 101



**Stainless steel perforated tray PVD**

**Copper**

8151 008

\* only in combination with the accessory  
8644 101



**Stainless steel perforated tray PVD**

**Gold**

8151 009

\* only in combination with the accessory  
8644 101



**Stainless steel perforated tray PVD**

**Gun Metal**

8151 006

\* only in combination with the accessory  
8644 101

## OPTIONAL AUTOMATIC WASTE FITTINGS



**Automatic waste fitting - PM**  
8407 113



**Space automatic waste fitting - PA**  
8407 108



**Space automatic waste fitting - PE**  
8407 109



**Space Light automatic waste fitting  
- PL**  
8407 117



**Space Push automatic waste fitting  
- PP**  
8407 116