

## Sink Phantom Copper

Kitchen Sinks

Code: 4340 058



### DETAILS

Edge/Installation Type Undermount

---

Material AISI 304 stainless steel

---

Texture Brushed in line

---

Finish PVD

---

Coloring Copper

---

Base 45 cm

---

Width 41.6 cm

---

Dimensions 416x416 mm

---

Bowl dimension 400 x 400 mm

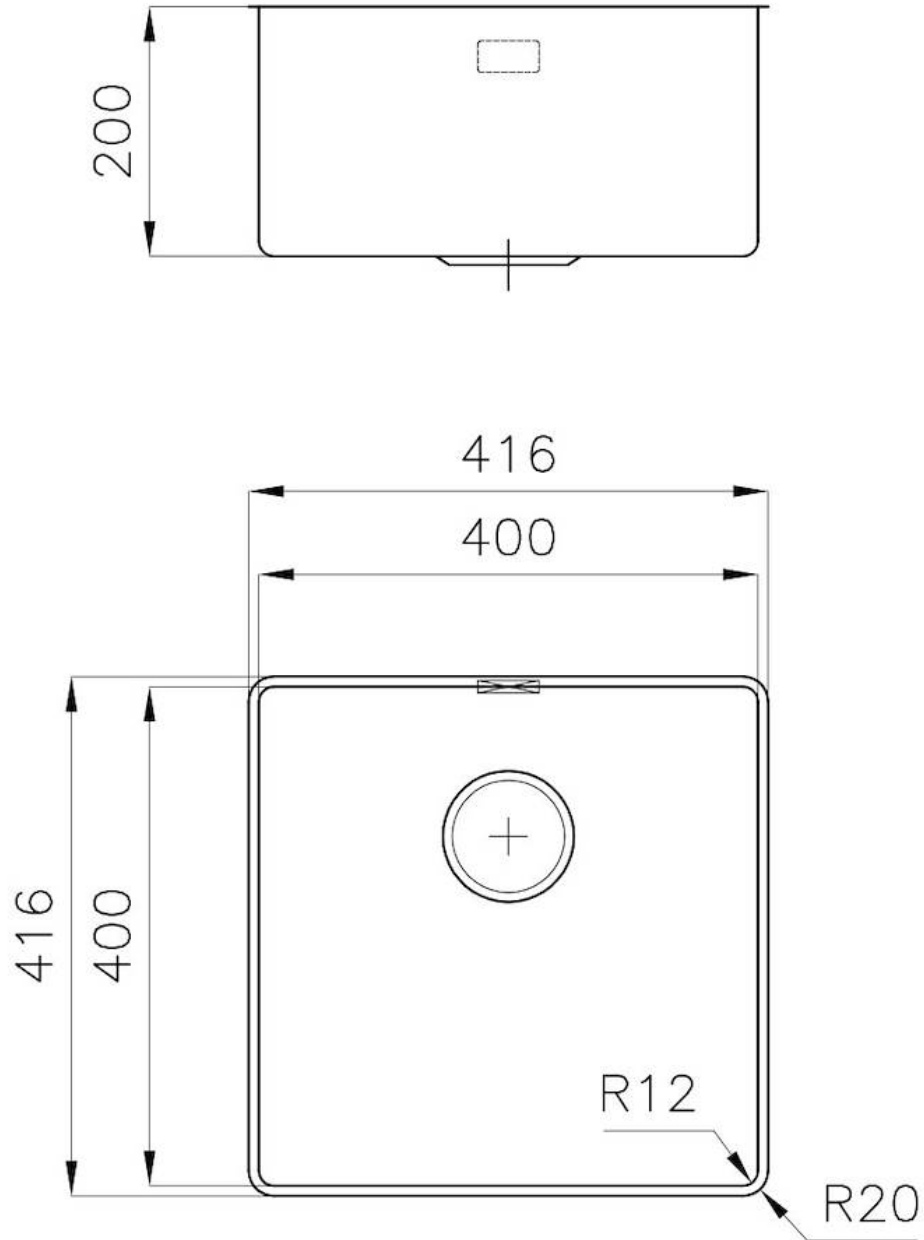
---

Built-in hole	View technical data sheet
Standard fittings	Fixing hooks, drain, overflow and siphon, boxed packing
Mixer holes	No standard holes
Drainer	No
Waste fitting	3,5" drain
Number of bowls	1 bowl

## FEATURES

Basket 3,5" waste fitting	The drain is equipped with a large 3.5" drain, with the practical basket cap that prevents the discharge of solid parts.
Copper	The Copper finish is obtained by treating steel with a physical process called PVD (Physical Vacuum Deposition) which deposits particles of noble metals on the surface. The result is a unique and refined aesthetic effect, and an improvement of the mechanical properties of the steel which is more resistant to impact and scratches.
Deep bowls	This bowls reach an important depth, over 20 cm, thanks to the advanced production technology, that can be offer great capieny and practicity in all the washing operations.
High thickness	1mm thick steel. A significant thickness, which guarantees the maximum sturdiness and durability.
Perimetral overflow	The overflow is always a security on the Foster sinks that prevents the overflow of water in case of oversights. The perimeter drain solution improves aesthetics thanks to its square and essential shape.
Small radius	Bowls with squared shapes with a modern design and an increased capacity, for a minimal aesthetics connected with an extreme practicity.

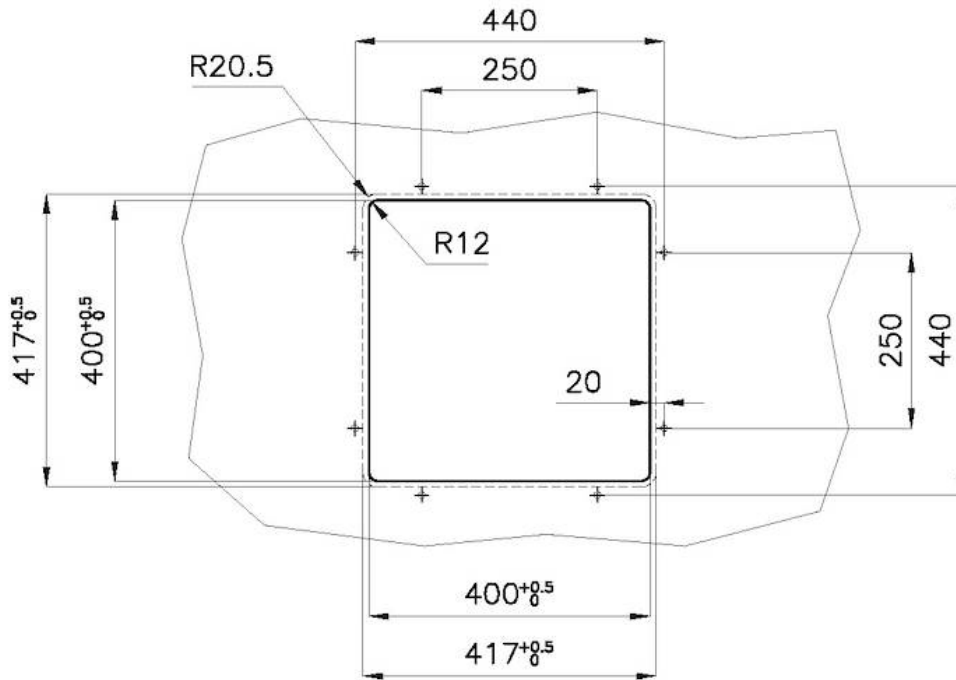
## TECHNICAL DATA





\* Lo spessore minimo deve essere valutato in base alla resistenza del materiale

\* The minimum thickness must be determined according to the strength of the material



Posizioni fori per fissaggio  
Fixing hole positions



\* Lo spessore minimo deve essere valutato in base alla resistenza del materiale  
\* The minimum thickness must be determined according to the strength of the material

## GALLERY



## OPTIONAL ACCESSORIES



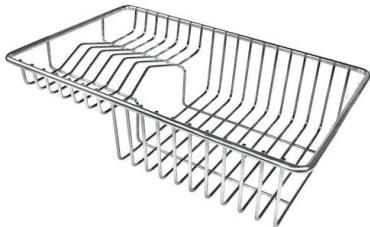
**Glass chopping board**  
8631 300



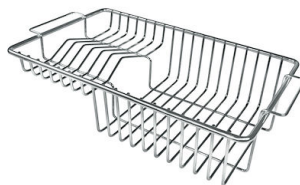
**HDPE Chopping board**  
8657 001



**HPDE Twin chopping board**  
8644 101



**Stainless steel plate rack**  
8100 303



**Stainless steel plate rack**  
8100 201



**White bowl**  
8153 100

\* only in combination with the accessory  
8644 101



**Black grid**  
8100 617



**Black grid**  
8100 651



**Graters kit with ring-holder and food collection tray**

8159 101  
\* only in combination with the accessory  
8644 101



**Stainless steel perforated tray**

8151 000

\* only in combination with the accessory  
8644 101



**Stainless steel perforated tray PVD**

**Copper**

8151 008

\* only in combination with the accessory  
8644 101



**Stainless steel perforated tray PVD**

**Gold**

8151 009

\* only in combination with the accessory  
8644 101



**Stainless steel perforated tray PVD**

**Gun Metal**

8151 006

\* only in combination with the accessory  
8644 101

## OPTIONAL AUTOMATIC WASTE FITTINGS



**Automatic waste fitting - PM**  
8407 113



**Space automatic waste fitting - PA**  
8407 108



**Space automatic waste fitting - PE**  
8407 109



**Space Light automatic waste fitting  
- PL**  
8407 117



**Space Push automatic waste fitting  
- PP**  
8407 116