

## Sink Phantom Edge

Kitchen Sinks

Code: 4157 051



### DETAILS

Edge/Installation Type	Phantom Edge   Top 12 mm
Material	AISI 304 stainless steel
Texture	Foster brushed
Base	80 cm
Dimensions	752x442 mm
Standard fittings	Drain, overflow and siphon, boxed packing
Mixer holes	No standard holes
Built-in hole	View technical data sheet
Drainer	No

Bowl dimension 710x400mm

---

Number of bowls 1 bowl

---

Waste fitting 3,5" drain

---

## FEATURES

**PHANTOM EDGE** The Phantom Edge bowls are specifically manufactured for zero-edge installation. They are equipped with a perimetric fixing system onto which the worktop is lodged. The standard version is meant for 12mm-thick worktops.

---

**High thickness** 1mm thick steel. A significant thickness, which guarantees the maximum sturdiness and durability.

---

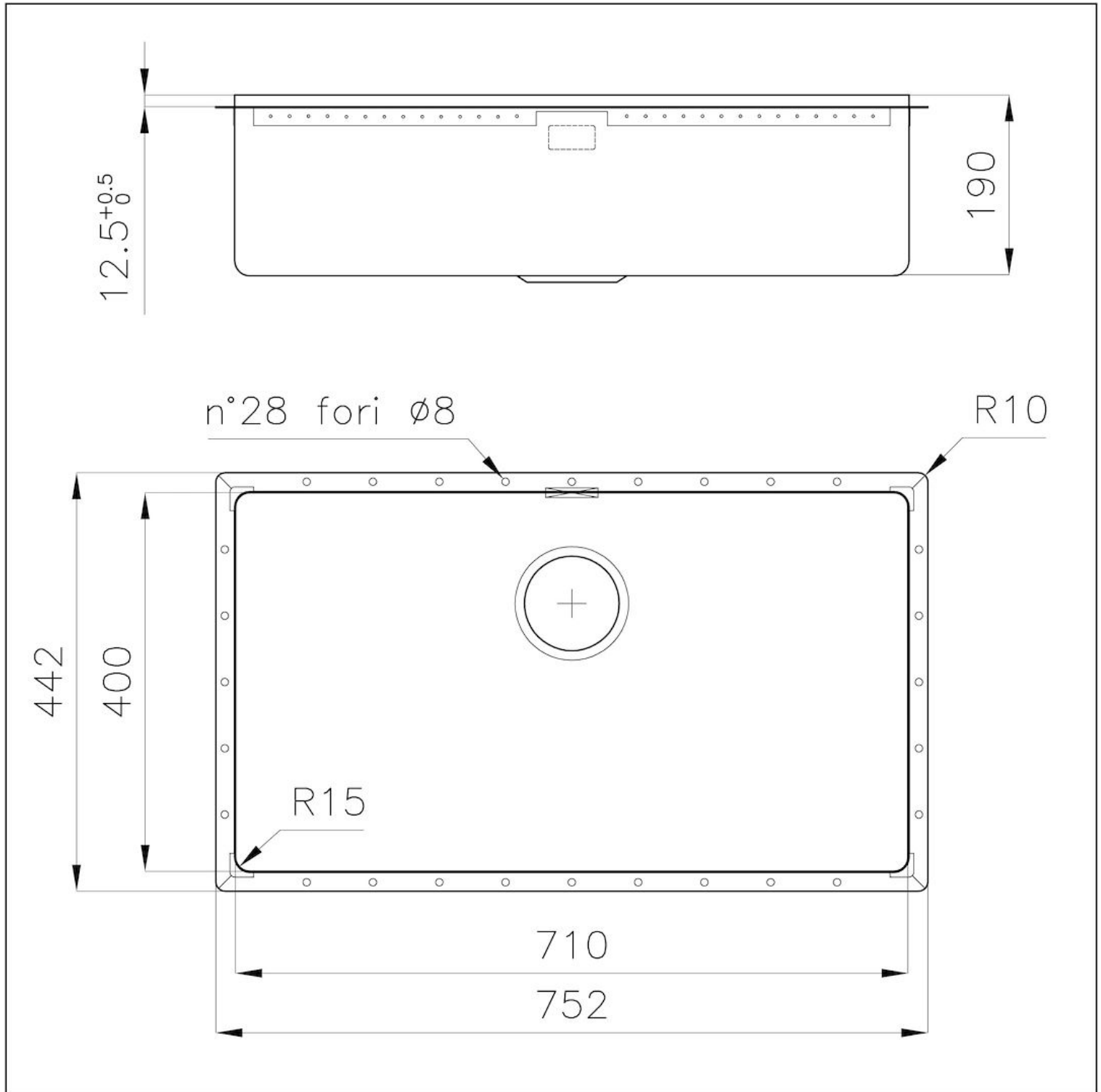
**Small radius** Bowls with squared shapes with a modern design and an increased capacity, for a minimal aesthetics connected with an extreme practicality.

---

**Perimetral overflow** The overflow is always a security on the Foster sinks that prevents the overflow of water in case of oversights. The perimeter drain solution improves aesthetics thanks to its square and essential shape.

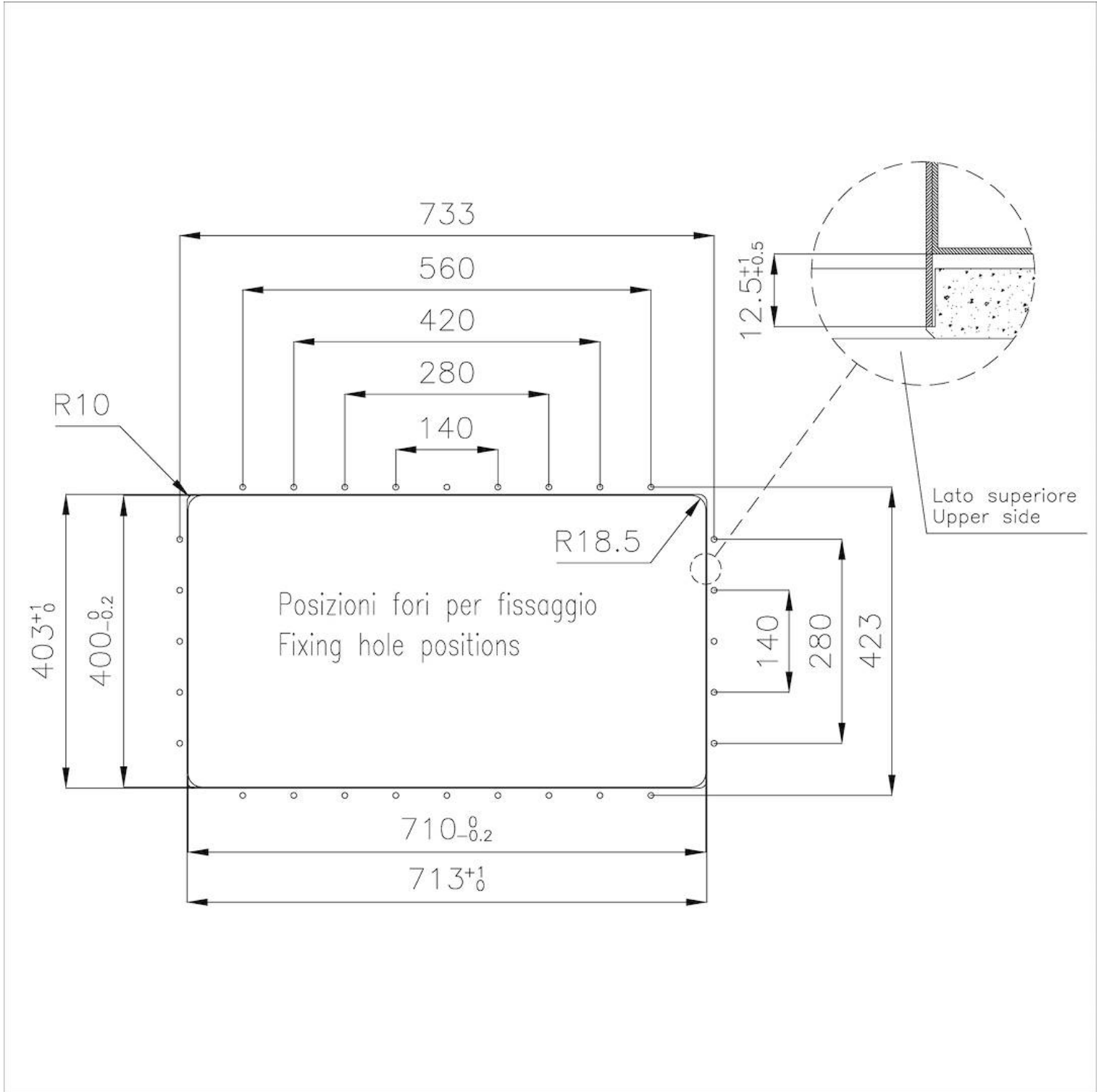
---

## TECHNICAL DATA









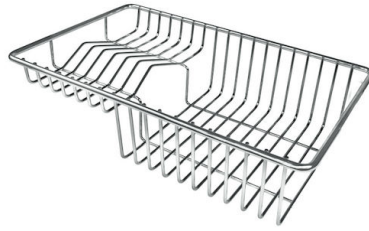
## GALLERY



## OPTIONAL ACCESSORIES



HPDE Twin chopping board



Stainless steel plate rack



Glass chopping board



Graters kit with ring-holder and food collection tray



HPDE Chopping board



Iroko-wood chopping board with stainless steel colander



Iroko-wood sliding chopping board



Iroko-wood twin chopping board



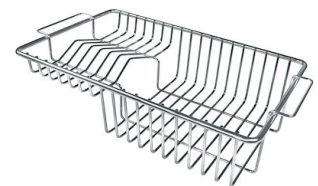
Stainless steel colander



Stainless steel perforated tray



Stainless steel plate rack



Stainless steel plate rack



White basket



White bowl

**WARNING:**

The accessories 8159101, 8100303,8151000 are only usable in combination with 8644101

## RECOMMENDED PAIRINGS



Mixer Tap FL



Mixer Tap Omega



Mixer Tap Omega Plus

## OPTIONAL AUTOMATIC WASTE FITTINGS



Automatic waste fitting



Gun Metal automatic waste fitting