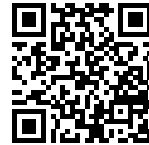


Sink Galante

Flush-mount | Top-mount | Undermount

Kitchen Sinks

Code: 3780 000



DETAILS

Edge/Installation Type Flush-mount | Top-mount | Undermount

Material AISI 304 stainless steel

Texture Brushed in line

Finish Foster brushed

Base 90 cm

Width 86 cm

Dimensions 860 x 520 mm

Bowl dimension 830 x 350 mm

Built-in hole [View technical data sheet](#)

Standard fittings Fixing hooks, gasket, drain, overflow and siphon, boxed packing

Mixer holes 2 standard holes - 3rd hole on request

Drainer No

Number of bowls 1 bowl

Waste fitting Drain with automatic control SPACE (PUSH)

FEATURES

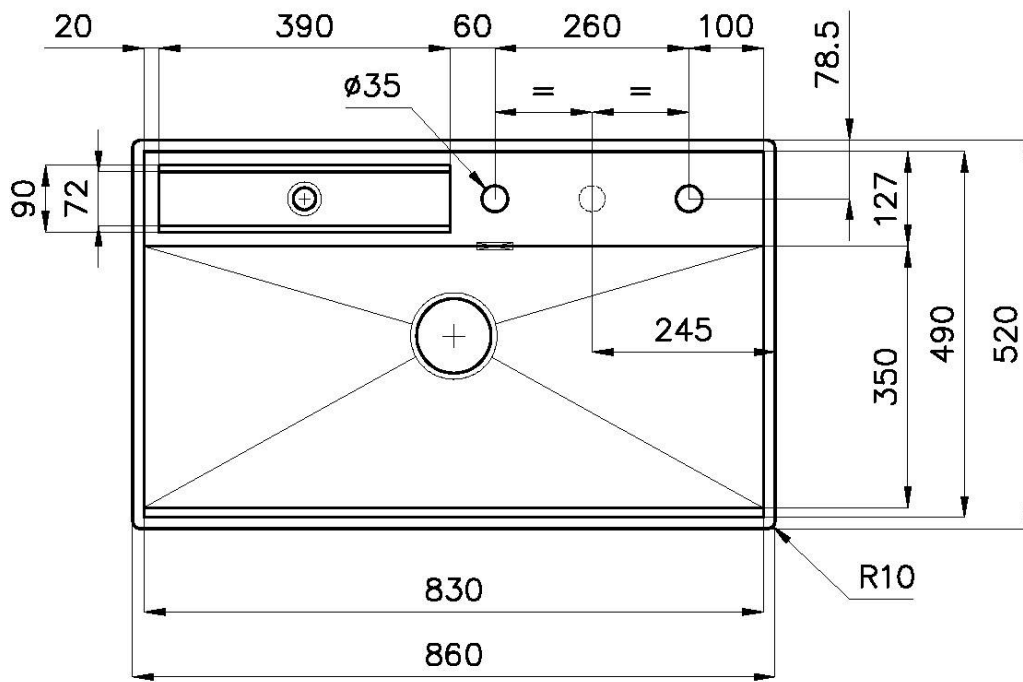
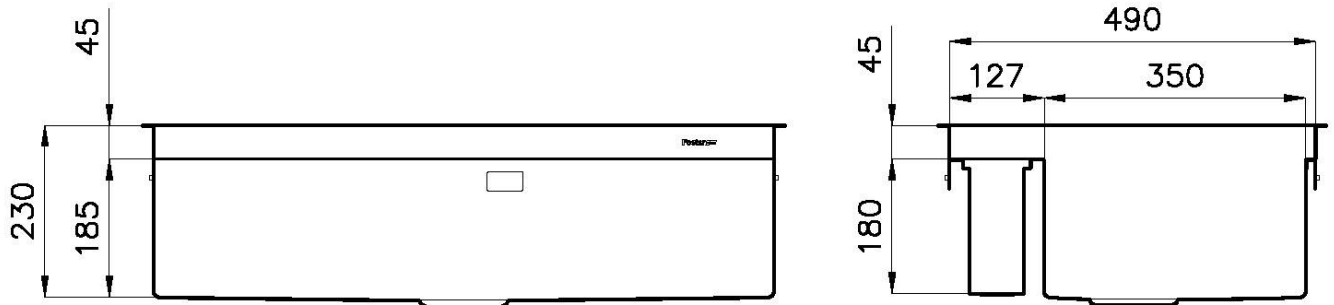
ADDITIONAL HOLES AVAILABLE The sink can be customized with the execution on request of additional holes, usable for double-hole mixers, for remote controlled drains or for the installation of soap dispensers. The positions are marked on the drawings with dotted line holes.

Deep bowls This bowls reach an important depth, over 20 cm, thanks to the advanced production technology, that can be offer great capieny and praticity in all the washing operations.

Perimetral overflow The overflow is always a security on the Foster sinks that prevents the overflow of water in case of oversights. The perimeter drain solution improves aesthetics thanks to its square and essential shape.

Space waste fitting The elegant SPACE steel cap closes the drain and leaves no visible residues collected in the basket below. Space also has a small footprint and allows the optimal use of the under-sink compartment.

TECHNICAL DATA

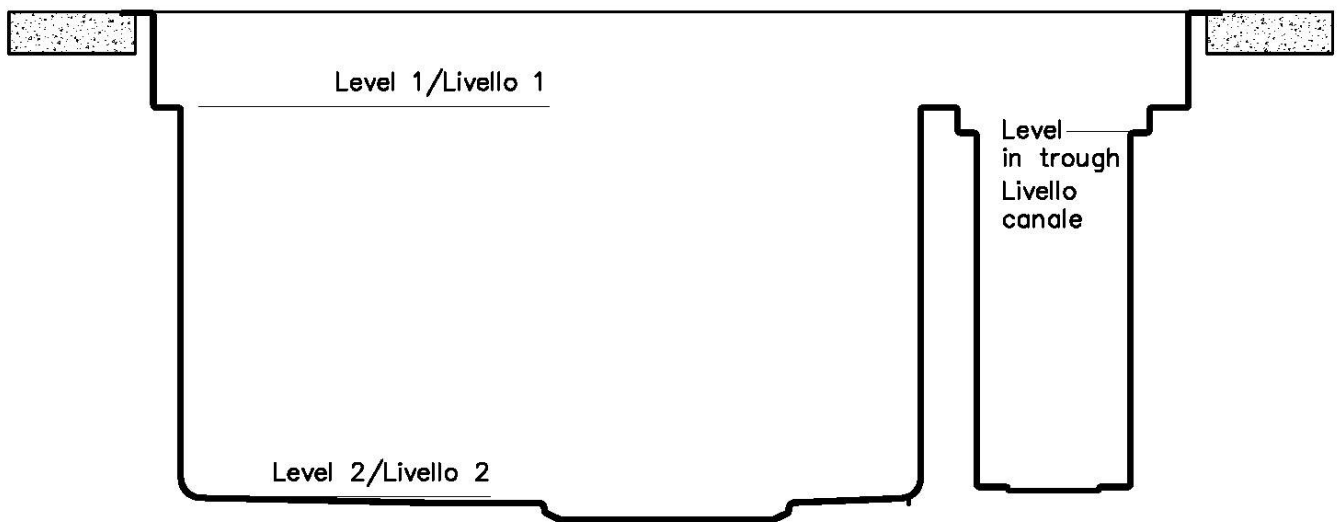


optional hole
foro opzionale

3780 000 Accessories / Accessori

The "rails" system makes it possible to use a combination of numerous accessories. Grids, chopping boards, utensils' ranging system, bowls and containers of different dimensions can be alternated in the workspace with a simple gesture, and can easily be stacked, in order to be on hand at all times.

Il sistema di "corsie" rende possibile l'utilizzo combinato di innumerevoli accessori. Griglie, taglieri, portautensili, vaschette e contenitori di varie dimensioni si alternano nella zona di lavoro con un semplice gesto e possono essere impilati, sempre a portata di mano.



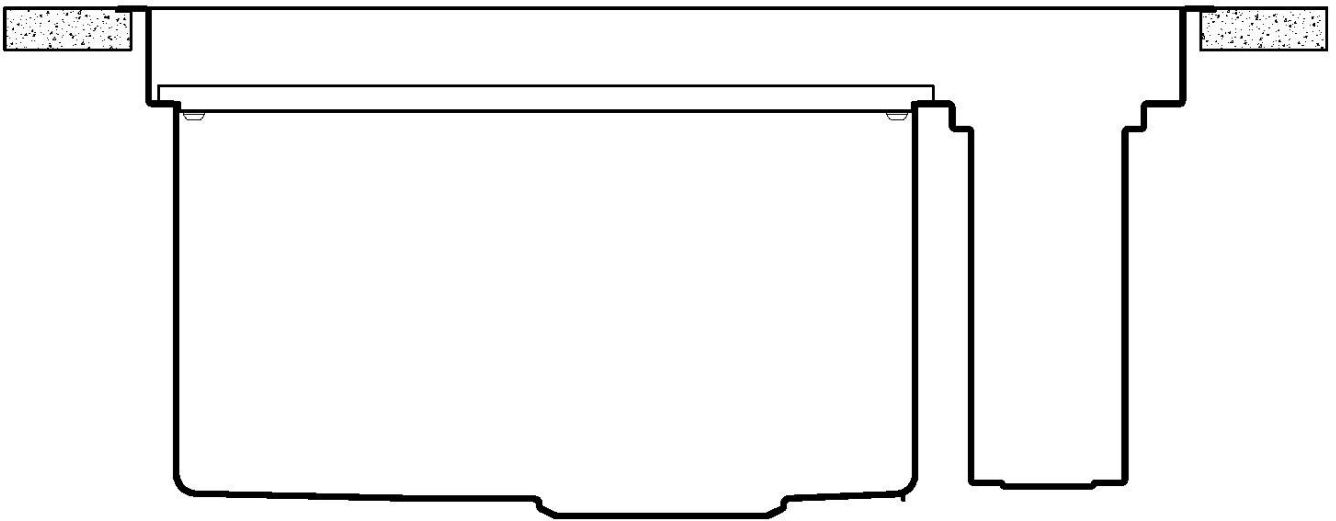
3780 000 **Level 1/Livello 1**

Compatible accessories/Accessori compatibili:

8100 618 (in dotazione/supplied with sink)

8643 117 (in dotazione/supplied with sink)

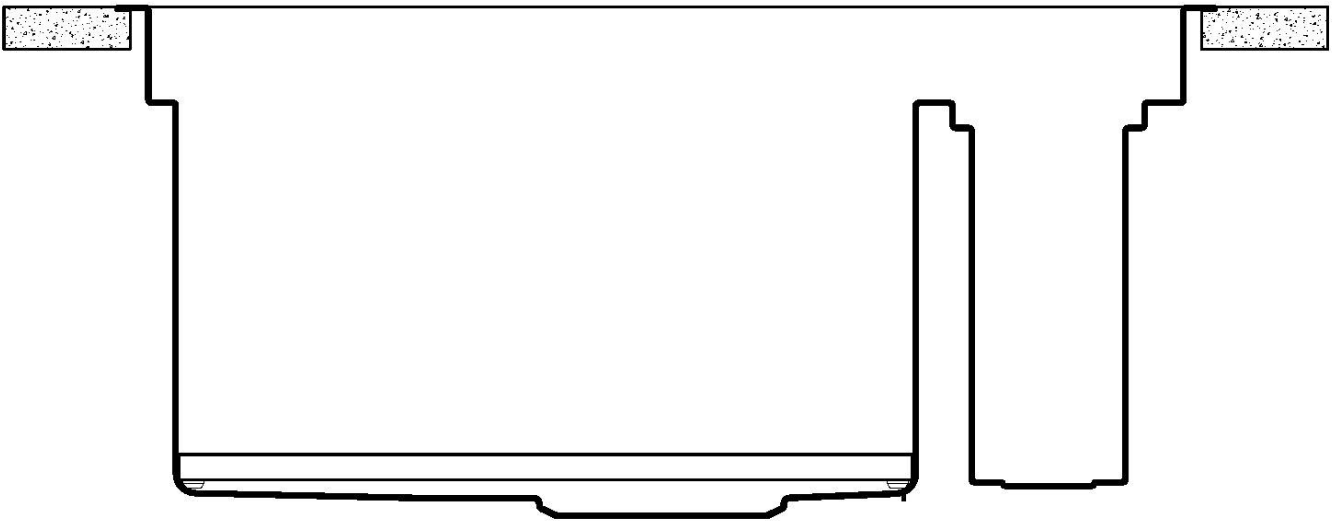
8100 305



3780 000 **Level 2/Livello 2**

Compatible accessories/Accessori compatibili:

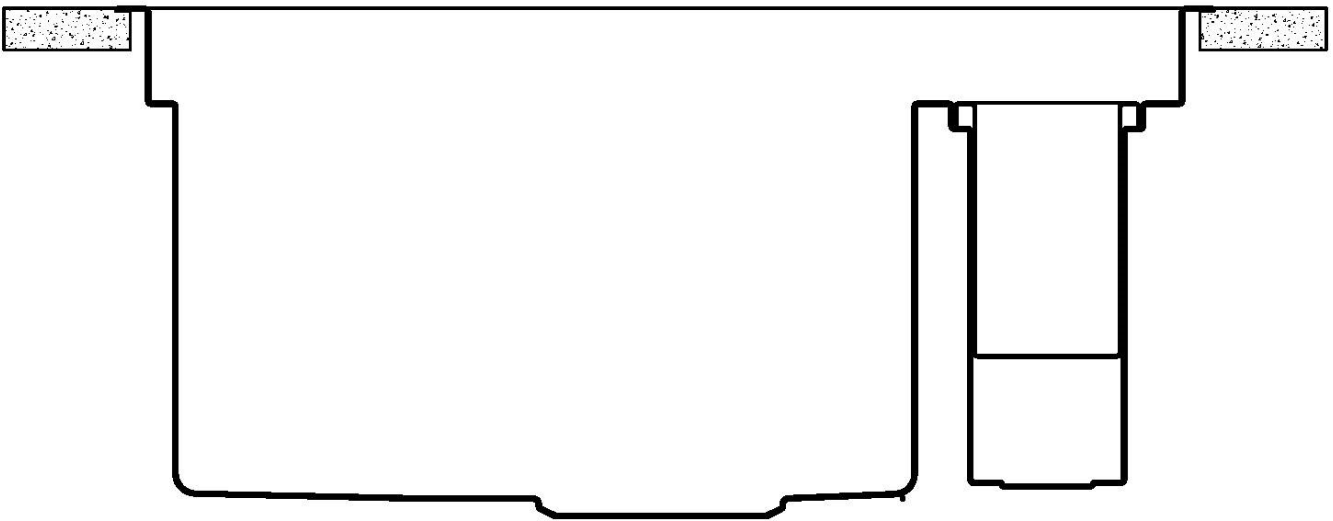
8100 618 (in dotazione/supplied with sink)

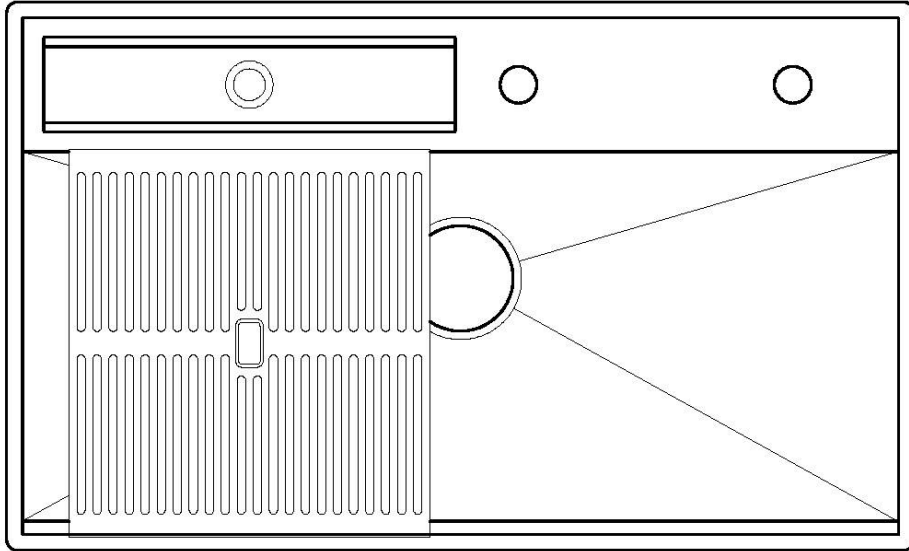


3780 000 **Level "in trough"/Livello "canale"**

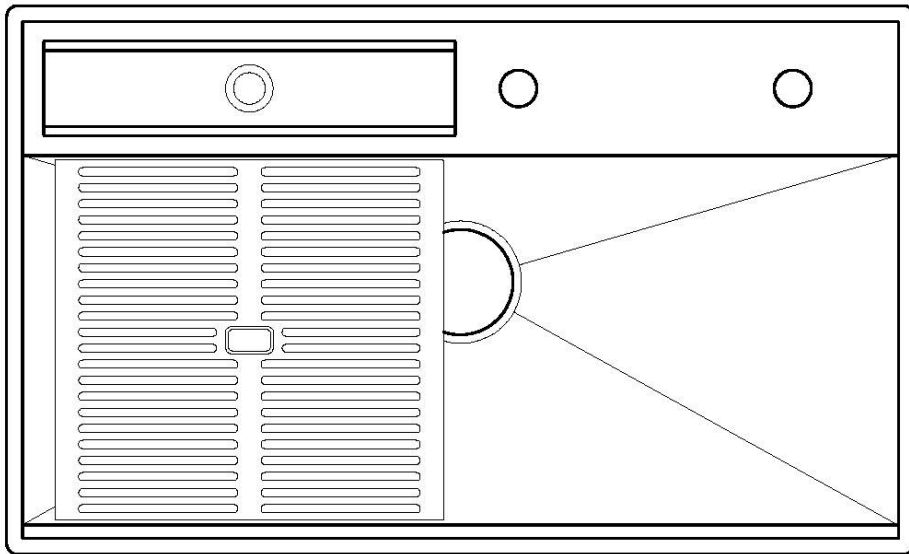
Compatible accessories/Accessori compatibili:

8151 004





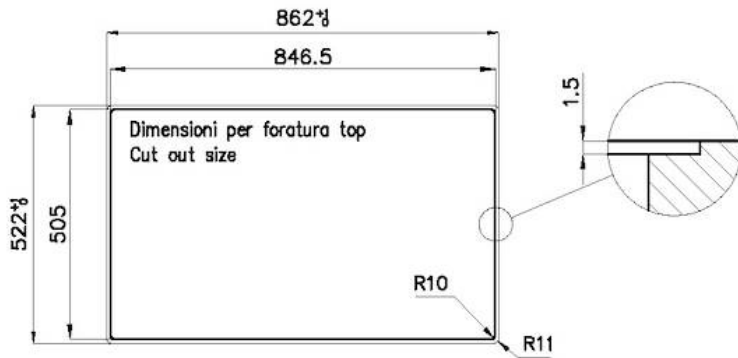
8100 618
POSIZIONATA A FILO VASCA / EDGE POSITIONING



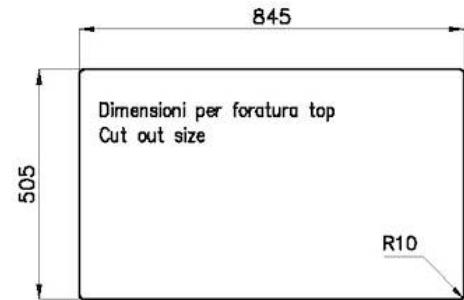
8100 618
POSIZIONATA SUL FONDO / BOTTOM POSITIONING

Filotop

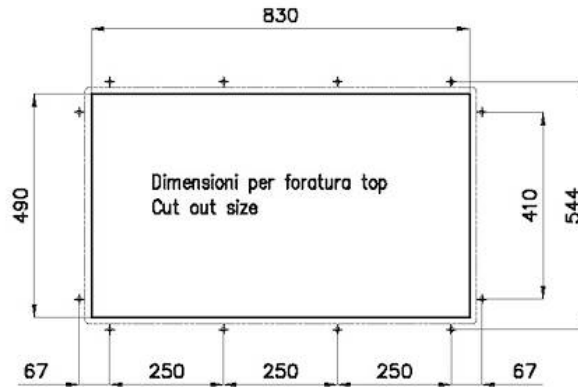
FT



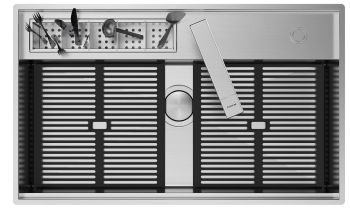
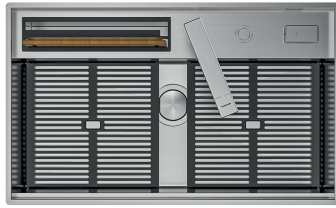
SPT



Sottotop



GALLERY



EQUIPMENT



Iroko-wood chopping board
8643 117



Black grid
8100 618

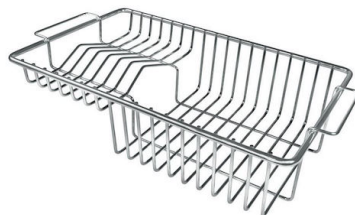


Space Push automatic waste fitting
- PP
8407 116

OPTIONAL ACCESSORIES



Stainless steel perforated tray
8151 004



Stainless steel plate rack
8100 305

RECOMMENDED PAIRINGS



Mixer Tap Arsenio
8471 000



Mixer Tap Eclipse
8499 000



Mixer Tap Flat
8478 001



Mixer Tap Margot
8524 000



Mixer Tap Margot satin
8524 100

OPTIONAL AUTOMATIC WASTE FITTINGS



Automatic waste fitting - PM
8407 113



Space automatic waste fitting - PA
8407 108



Space automatic waste fitting - PE
8407 109



**Space Light automatic waste fitting
- PL**
8407 117