

## Sink S4001

Kitchen Sinks

Code: 3367 050



### DETAILS

Edge/Installation Type Flush-mount | Top-mount

---

Material AISI 304 stainless steel

---

Texture Brushed in line

---

Finish Foster brushed

---

Base 90 cm

---

Dimensions 860 x 520 mm

---

Bowl dimension 800 x 400 mm

---

Width 86 cm

---

Built-in hole [View technical data sheet](#)

---

Number of bowls	1 bowl
Drainer	No
Standard fittings	Fixing hooks, gasket, drain, overflow and siphon, boxed packing
Mixer holes	2 standard holes - 3rd and 4th holes on request
Waste fitting	Drain with automatic control SPACE

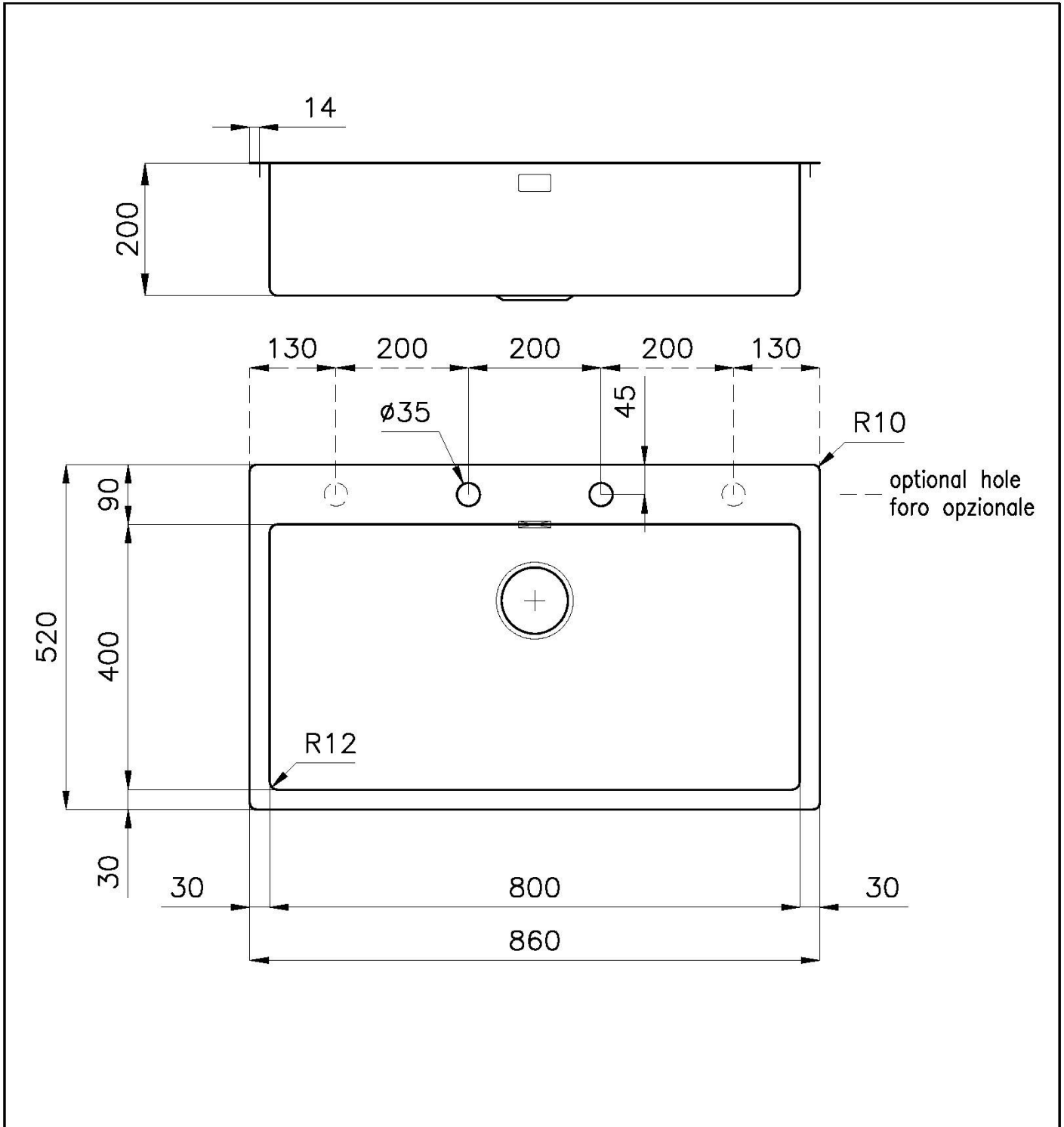
## FEATURES

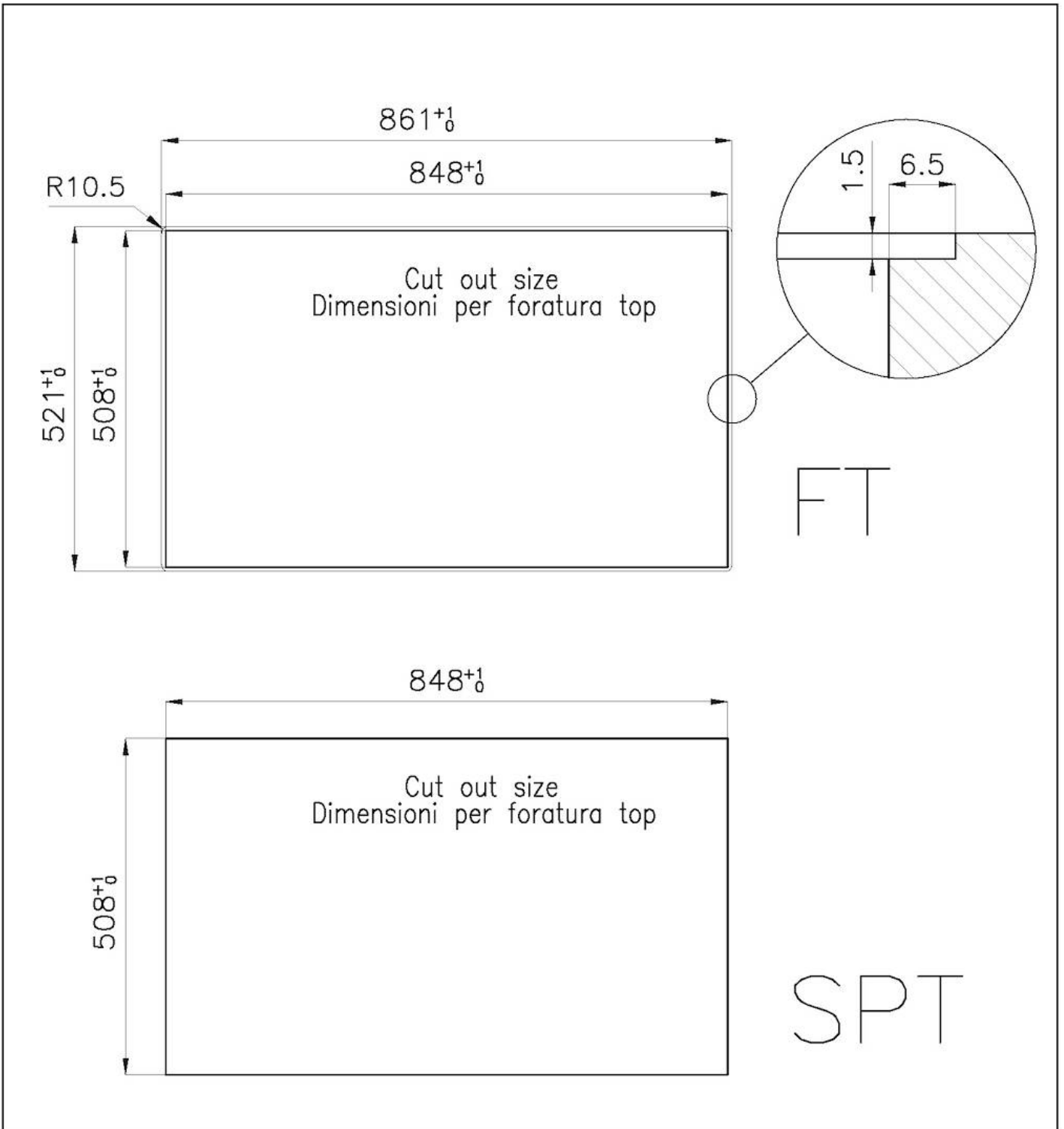
Automatic waste fitting	The waste-fitting with round remote knob is supplied; a practical accessory which makes it unnecessary to get wet in order to drain the water from the bowl.
Deep bowls	This bowls reach an important depth, over 20 cm, thanks to the advanced production technology, that can be offer great capieny and practicity in all the washing operations.
Double mixer hole	The large tap counter is already fitted with a series of 2 tap holes. In the second hole it is possible to install the remote control of the automatic drain or, alternatively, a practical soap dispenser.
High thickness	1mm thick steel. A significant thickness, which guarantees the maximum sturdiness and durability.
Perimetral overflow	The overflow is always a security on the Foster sinks that prevents the overflow of water in case of oversights. The perimeter drain solution improves aesthetics thanks to its square and essential shape.
Save space system	Drain and siphon are designed to leave as much space as possible in the under-sink area, more and more useful today for theseparate waste collection systems.
Small radius	Bowls with squared shapes with a modern design and an increased capacity, for a minimal aesthetics connected with an extreme practicity.

## Space waste fitting

The elegant SPACE steel cap closes the drain and leaves no visible residues collected in the basket below. Space also has a small footprint and allows the optimal use of the under-sink compartment.

## TECHNICAL DATA





## GALLERY



## EQUIPMENT

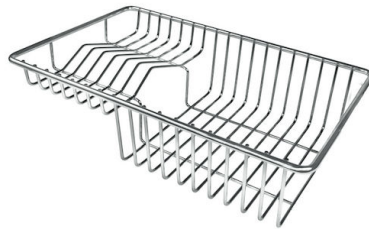


**Space automatic waste fitting - PA**  
8407 108

## OPTIONAL ACCESSORIES



**HPDE Twin chopping board**  
8644 101



**Stainless steel plate rack**  
8100 303  
\* only in combination with the accessory  
8644 101



**Black grid**  
8100 617



**Black grid**  
8100 653



**Glass chopping board**  
8631 300



**Graters kit with ring-holder and  
food collection tray**  
8159 101  
\* only in combination with the accessory  
8644 101



**HDPE Chopping board**  
8657 001



**Iroko-wood sliding chopping board  
with stainless steel colander**  
8644 044



**Stainless steel perforated tray**  
8151 000  
\* only in combination with the accessory  
8644 101



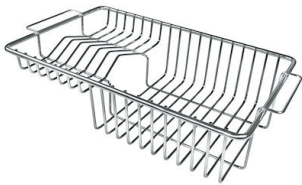
**Stainless steel perforated tray PVD  
Copper**  
8151 008  
\* only in combination with the accessory  
8644 101



**Stainless steel perforated tray PVD  
Gold**  
8151 009  
\* only in combination with the accessory  
8644 101



**Stainless steel perforated tray PVD  
Gun Metal**  
8151 006  
\* only in combination with the accessory  
8644 101



**Stainless steel plate rack**  
8100 201



**White bowl**  
8153 100

## RECOMMENDED PAIRINGS



**Mixer Tap Play**  
8487 000