

## Sink Angolare

Kitchen Sinks

Code: 3308 060



### DETAILS

Edge/Installation Type                      Standard (8 mm Edge)

---

Finish    Foster brushed

---

Material    AISI 304 stainless steel

---

Texture    Foster brushed

---

Base    90 cm

---

Dimensions                                      830x830 mm

---

Standard fittings                                Fixing hooks, gasket, drain, overflow and siphon, boxed packing

---

Mixer holes                                      1 standard hole - 2nd hole on request

---

Built-in hole                                      View technical data sheet (for all Flush-mount / Top-mount models and Under-mount models)

---

Drainer Yes

---

Width 83 cm

---

Bowl dimension 340x400 + 233x335mm

---

Number of bowls 2 bowls

---

Waste fitting 3.5 "+ 1.25" drain on drainer

---

## FEATURES

**2nd / 3rd hole available** The sink can be customized with the execution on request of additional holes, usable for double-hole mixers, for remote controlled drains or for the installation of soap dispensers. The positions are marked on the drawings with dotted line holes.

---

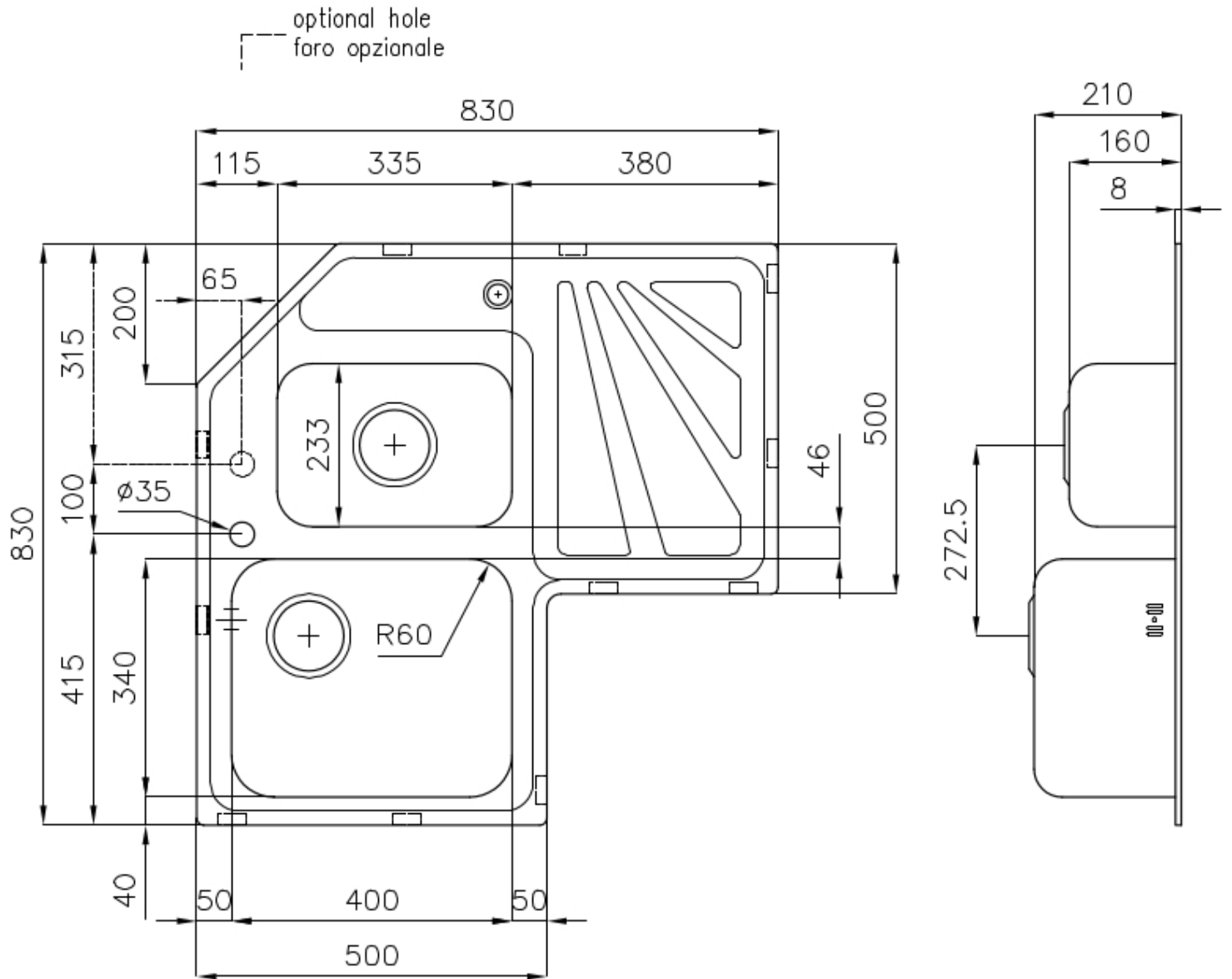
**Basket 3,5" waste fitting** The drain is equipped with a large 3.5" drain, with the practical basket cap that prevents the discharge of solid parts.

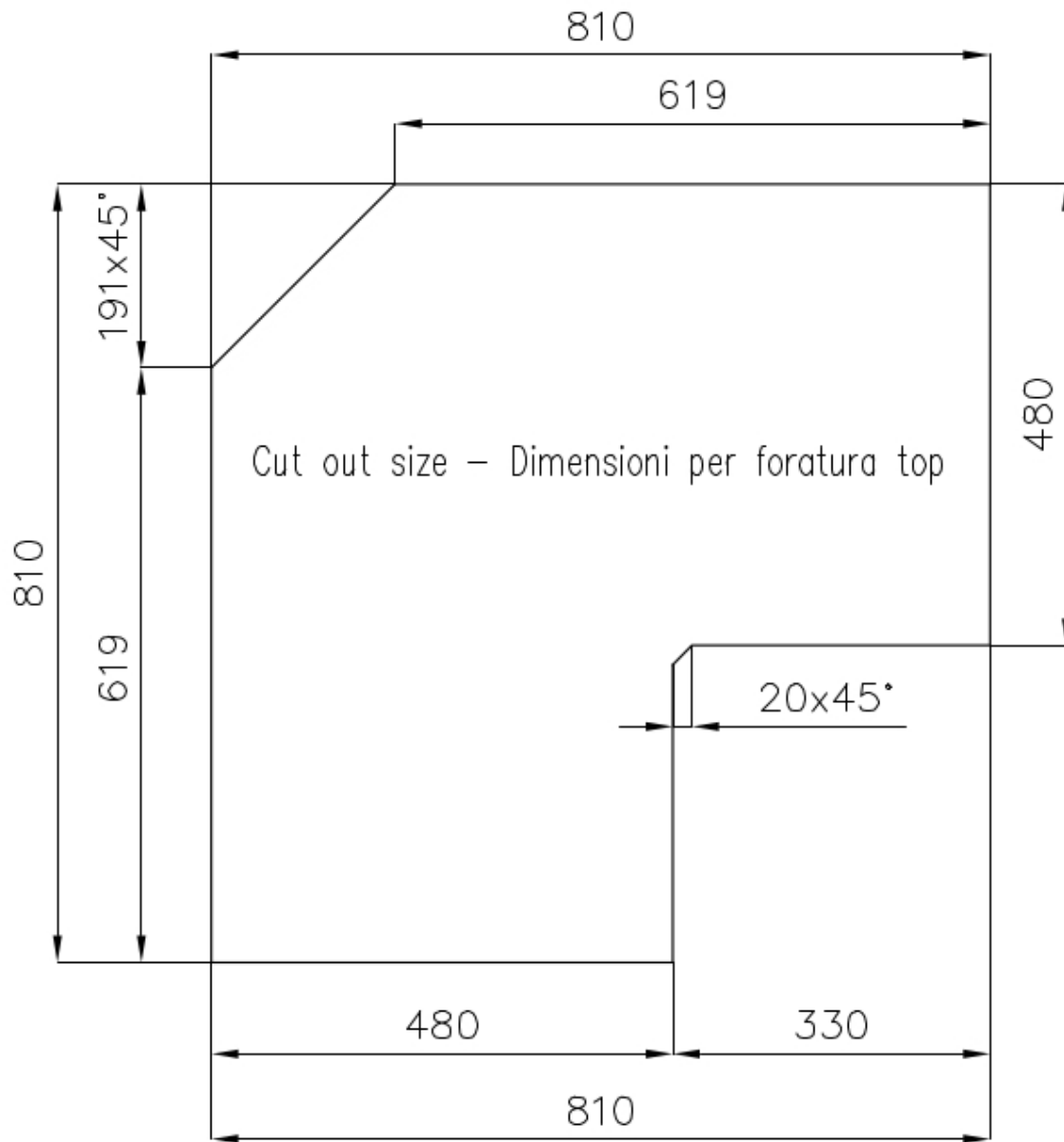
---

**Deep bowls** This bowls reach an important depth, over 20 cm, thanks to the advanced production technology, that can be offer great capiciency and practicity in all the washing operations.

---

## TECHNICAL DATA





## GALLERY



## OPTIONAL ACCESSORIES



HPDE Chopping board



Iroko-wood chopping board



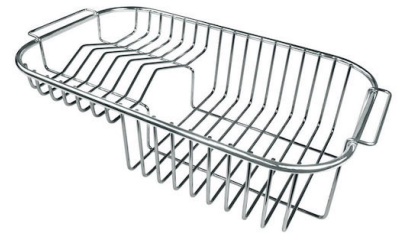
Stainless steel basket



Stainless steel colander



Stainless steel plate rack



Stainless steel plate rack



White bowl

## RECOMMENDED PAIRINGS



Mixer Tap Camillo



Mixer Tap Twix Plus

## OPTIONAL AUTOMATIC WASTE FITTINGS



Automatic waste fitting



Automatic waste fitting



LIRA automatic waste fitting



LIRA automatic waste fitting