

Sink Angolare

Kitchen Sinks

Code: 3308 050



DETAILS

Edge/Installation Type Standard (8 mm Edge)

Finish Foster brushed

Material AISI 304 stainless steel

Texture Foster brushed

Base 90 cm

Dimensions 830x830 mm

Standard fittings Fixing hooks, gasket, drain, overflow and siphon, boxed packing

Mixer holes 1 standard hole

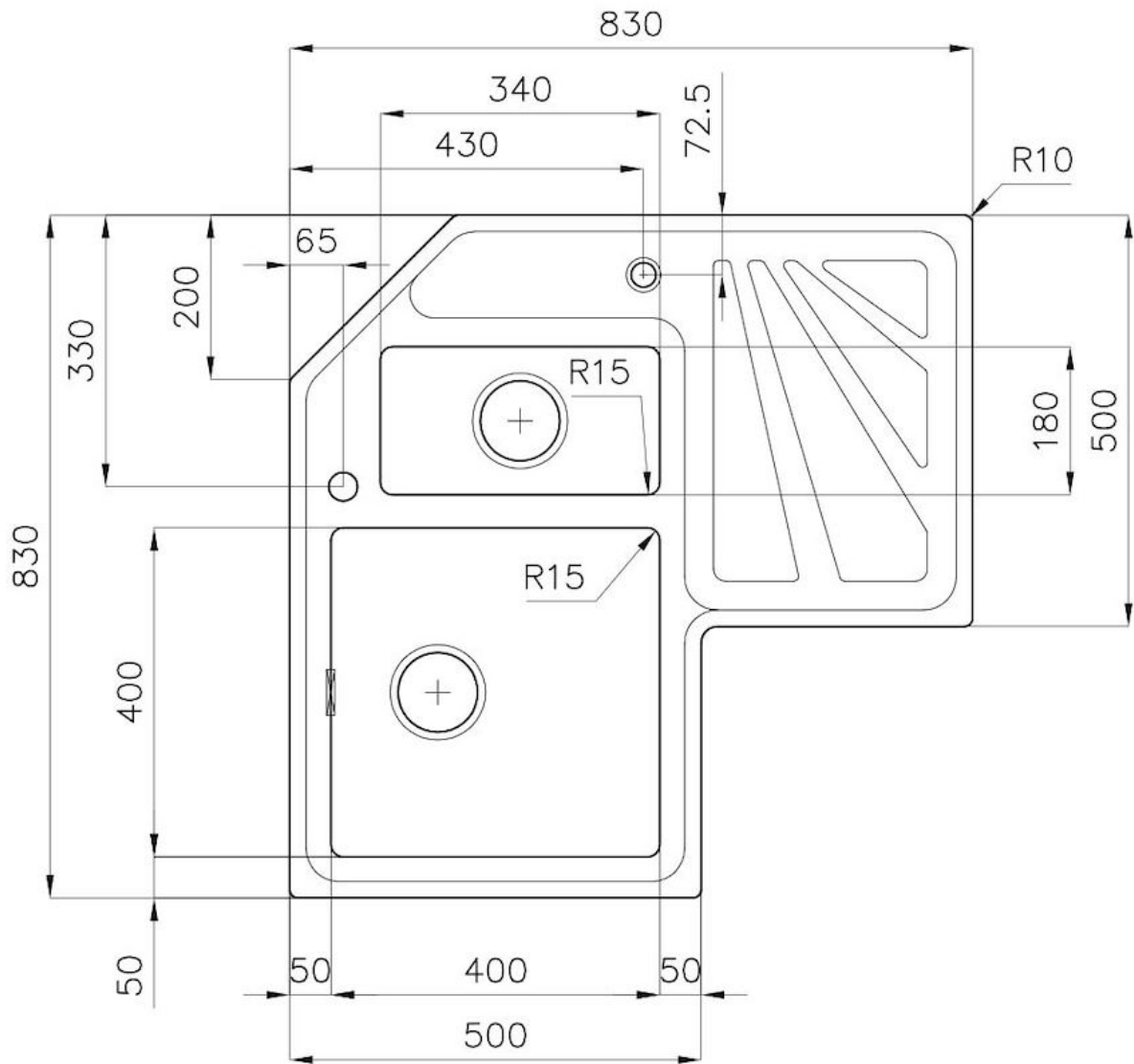
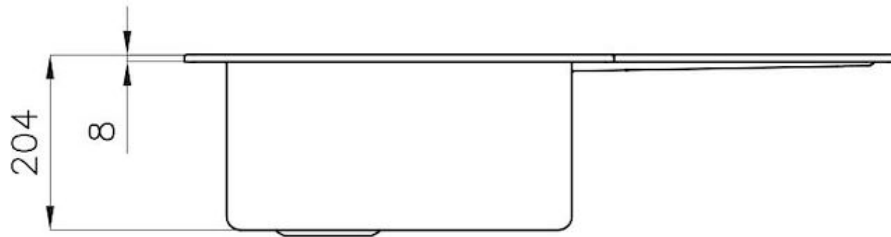
Built-in hole View technical data sheet

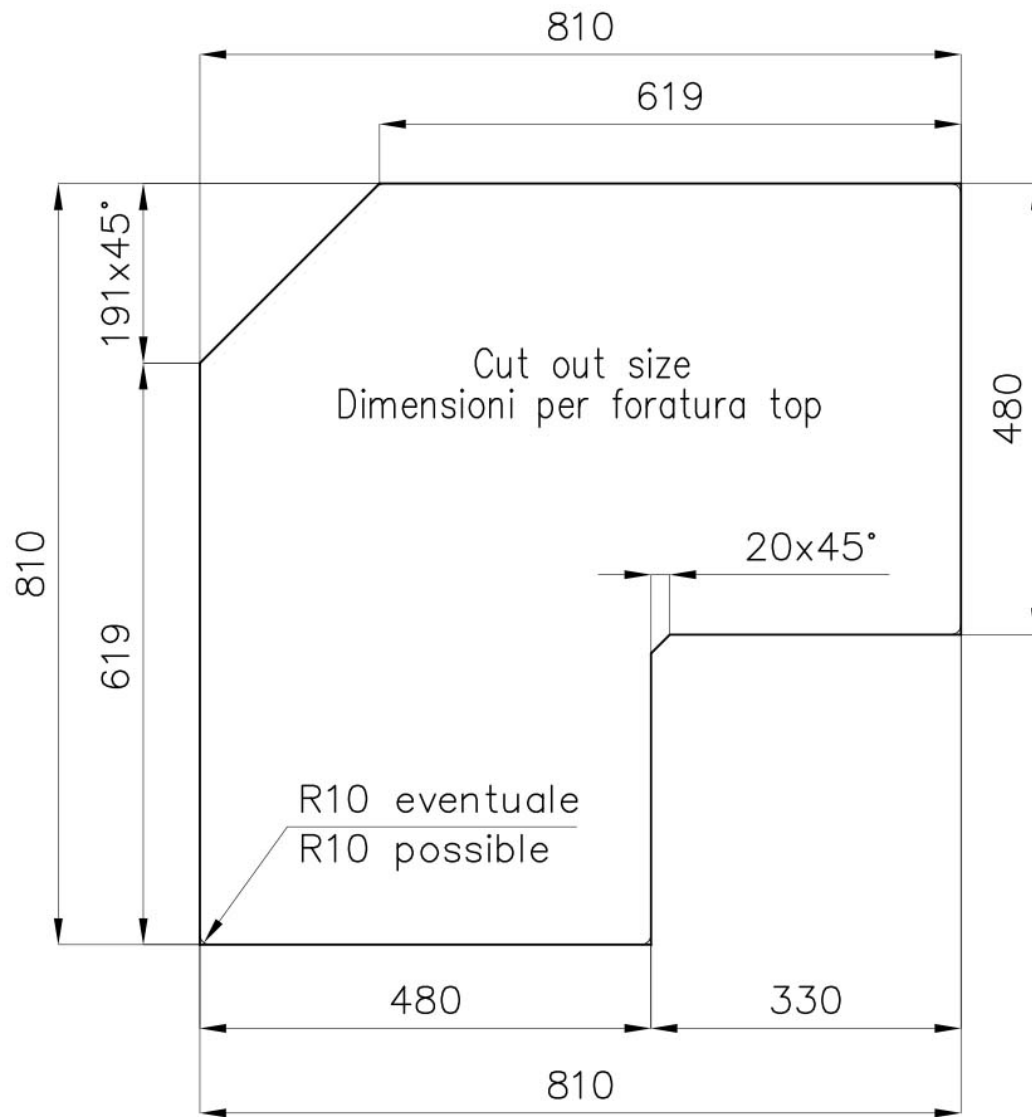
Drainer	Yes
Width	83 cm
Bowl dimension	400x400 + 180x340 mm
Number of bowls	2 bowls
Waste fitting	3.5 "+ 1.25" drain on drainer

FEATURES

2nd / 3rd hole available	The sink can be customized with the execution on request of additional holes, usable for double-hole mixers, for remote controlled drains or for the installation of soap dispensers. The positions are marked on the drawings with dotted line holes.
Basket 3,5" waste fitting	The drain is equipped with a large 3.5" drain, with the practical basket cap that prevents the discharge of solid parts.
Deep bowls	This bowls reach an important depth, over 20 cm, thanks to the advanced production technology, that can be offer great capiciency and practicity in all the washing operations.
Perimetral overflow	The overflow is always a security on the Foster sinks that prevents the overflow of water in case of oversights. The perimeter drain solution improves aesthetics thanks to its square and essential shape.

TECHNICAL DATA





GALLERY



OPTIONAL ACCESSORIES



HPDE Chopping board



Iroko-wood chopping board



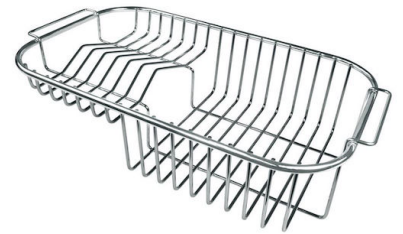
Stainless steel basket



Stainless steel colander



Stainless steel plate rack



Stainless steel plate rack



White bowl



Cestello inox



Glass chopping board



Graters kit with ring-holder and food collection tray



HPDE Twin chopping board



Iroko-wood chopping board with stainless steel colander



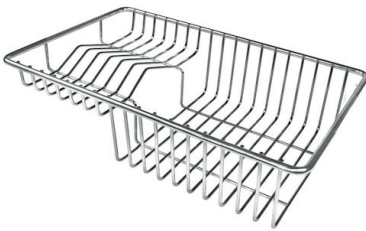
Iroko-wood sliding chopping board



Iroko-wood twin chopping board



Stainless steel perforated tray



Stainless steel plate rack



White basket

WARNING:

The accessories 8159101, 8100303,8151000 are only usable in combination with 8644101

The accessories 8100154, 8154000 are only usable in combination with 8644004

RECOMMENDED PAIRINGS



Mixer Tap Camillo



Mixer Tap Twix Plus

OPTIONAL AUTOMATIC WASTE FITTINGS



Automatic waste fitting



Automatic waste fitting



LIRA automatic waste fitting



LIRA automatic waste fitting