

Rangetop S4000 Induction

Rangetop and Top inox

Code: 3165 000



DETAILS

Coloring Black

Material AISI 304 stainless steel + ceramic glass

Texture Brushed in line

Supply Single-phase: 230 V; 1P + N; Two-phase 400 V; 2P + N; 50.60 Hz

Dimensions 1200x650 mm

Heating element Four zones

Built-in hole 560x480 mm

Total power 7.400 W

Left Ø 210 mm-2.050 (2.500)* (3.700)** W

Centre-left Ø 210 mm-2.050 (2.500)* (3.700)** W

Centre-right Ø 180 mm-1.850 (2.300)* (3.000)** W

Right Ø 180 mm-1.850 (2.300)* (3.000)** W

Power settings 9 power settings per zone + double Powerboost

Safety Safety equipment

Type Induction Hob

Type of commands Touch Control

FEATURES

Double powerboost Two further levels of power up to 3700 W, to be used on a single zone or distributed over the entire Bridge extended area (where available).

End-of-cooking programming All operations are programmed by means of the touch-control on the glass itself. Each cooking plate is capable of independent programming, and thus the possibility to set different cooking times.

Pot detector All induction cooker hobs detect the pot resting on them, but they also calculate the area they cover. This system allows the energy to be used even more efficiently. Moreover, the plates switch off automatically when the pot is removed.

Safety All electric cooker hobs feature the most modern and sophisticated safety protections: Centralised power-off function; Child-proof safety lock; Residual heat warning lights. Induction models feature the following functions: Safety System that turn off the hob in the absence of the pot; Overflow detector that automatically turns off the plate in case of liquid overflow; Automatic deactivation to prevent accidents caused by forgetfulness.

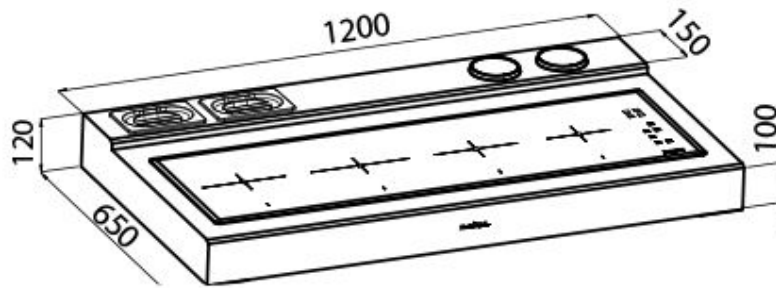
Smart fan system

Correct ventilation is essential for the induction hob to function in the best possible way. The Foster system automatically regulates the amount of ventilation to suit the temperatures reached.

Timer

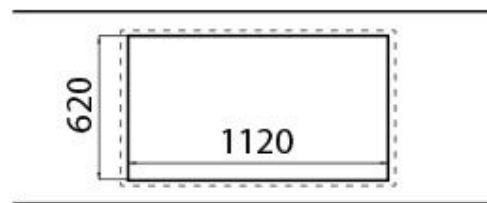
Independent timer from the end-of-cooking function.

TECHNICAL DATA



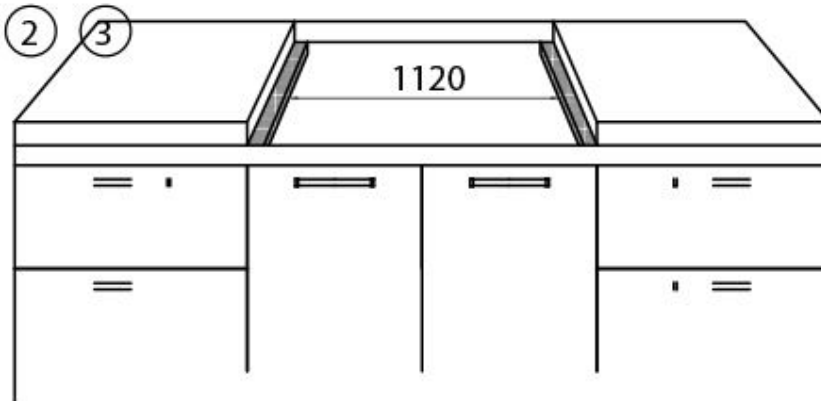
Incasso

①



②

③



GALLERY

