

## Rangetop for wash GK

Rangetop and Top inox

Code: 3163 000



### DETAILS

Material AISI 304 stainless steel

---

Texture Brushed in line

---

Dimensions 900x650 mm

---

Standard fittings Fixing hooks, gasket, drain, overflow and siphon, boxed packing

---

Mixer holes 2 standard holes

---

Built-in hole [View technical data sheet](#)

---

Bowl dimension 730x400 mm

---

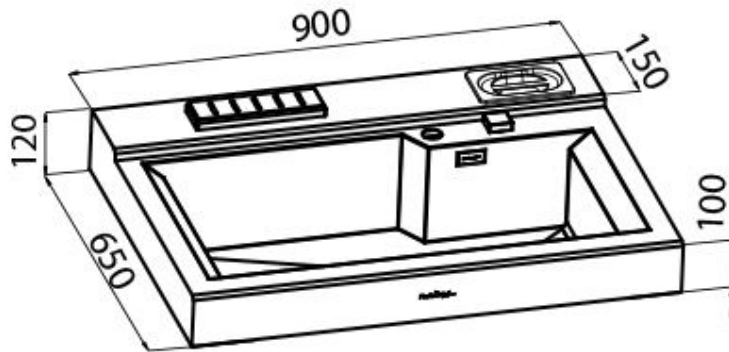
Waste fitting Drain with automatic control SPACE

---

Type Induction Hob

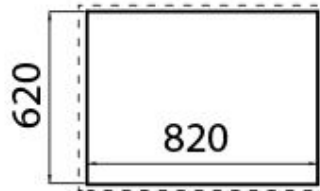
---

## TECHNICAL DATA



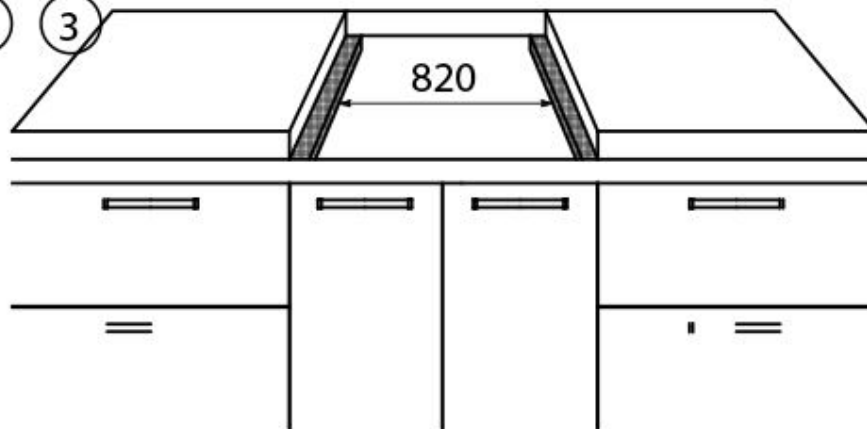
### Incasso

①



②

③



## GALLERY



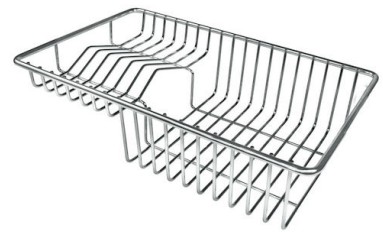
## OPTIONAL ACCESSORIES



HPDE twin chopping board



Iroko-wood sliding chopping board



Stainless steel plate rack