

## Rangetop Foster Milano Line Plus

Rangetop and Top inox

Code: 3154 000



### DETAILS

Material AISI 304 stainless steel

---

Texture Brushed in line

---

Dimensions 1200x650 mm

---

Heating element Four burners

---

Built-in hole 560x480 mm

---

Grids Cast iron grids and enamelled burner covers

---

Total power 9.950 W

---

Auxiliary 1.000 W

---

Semirapid 1.750 W

---

Rapid 3.000 W

---

Dual 4.200 W

---

Safety Safety valve with quick-acting thermocouple

---

Ignition Electric ignition under knob

---

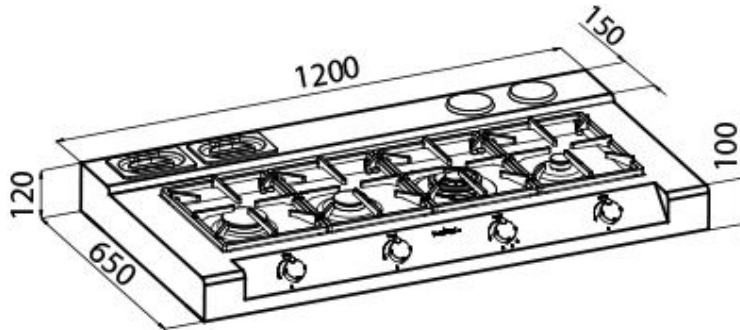
Gas type Tested for installation with natural gas, LPG nozzle set included.

---

Type Gas Hob

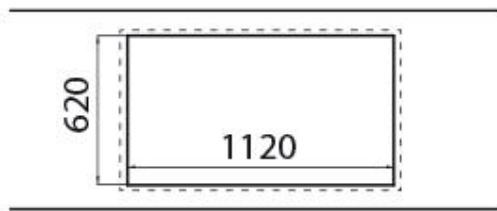
---

## TECHNICAL DATA



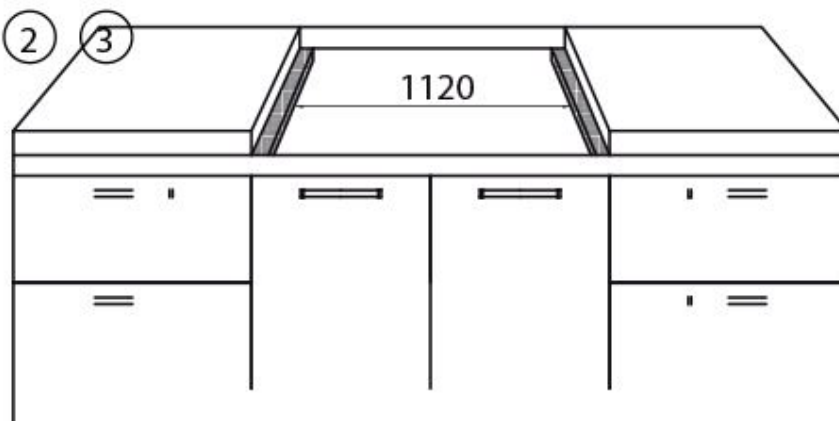
Incasso

①



②

③



## GALLERY

