

Sink Diade Gun Metal Fumè

Kitchen Sinks

Code: 3028 816



DETAILS

Edge/Installation Type	Undermount
Material	AISI 304 stainless steel
Finish	PVD
Coloring	Gun Metal
Texture	Fumè
Base	90 cm
Width	80 cm
Dimensions	800 x 440 mm
Bowl dimension	760 x 400 mm

Built-in hole

[View technical data sheet](#)

Standard fittings

Fixing hooks, drain, overflow and siphon, boxed packing

Mixer holes

No standard holes

Drainer

No

Number of bowls

1 bowl

Waste fitting

3,5" drain

FEATURES

Basket 3,5" waste fitting

The drain is equipped with a large 3.5" drain, with the practical basket cap that prevents the discharge of solid parts.

Deep bowls

This bowls reach an important depth, over 20 cm, thanks to the advanced production technology, that can be offer great capieny and practicity in all the washing operations.

GUN METAL FUMÈ

The Gun Metal Fumè finish is obtained by treating steel with a physical process called PVD (Phisical Vacuum Deposition) which deposits particles of noble metals on the surface. The result is a unique and refined aesthetic effect, and an improvement of the mechanical properties of the steel which is more resistant to impact and scratches.

High thickness

1mm thick steel. A significant thickness, which guarantees the maximum sturdiness and durability.

MOULDED BOTTOM

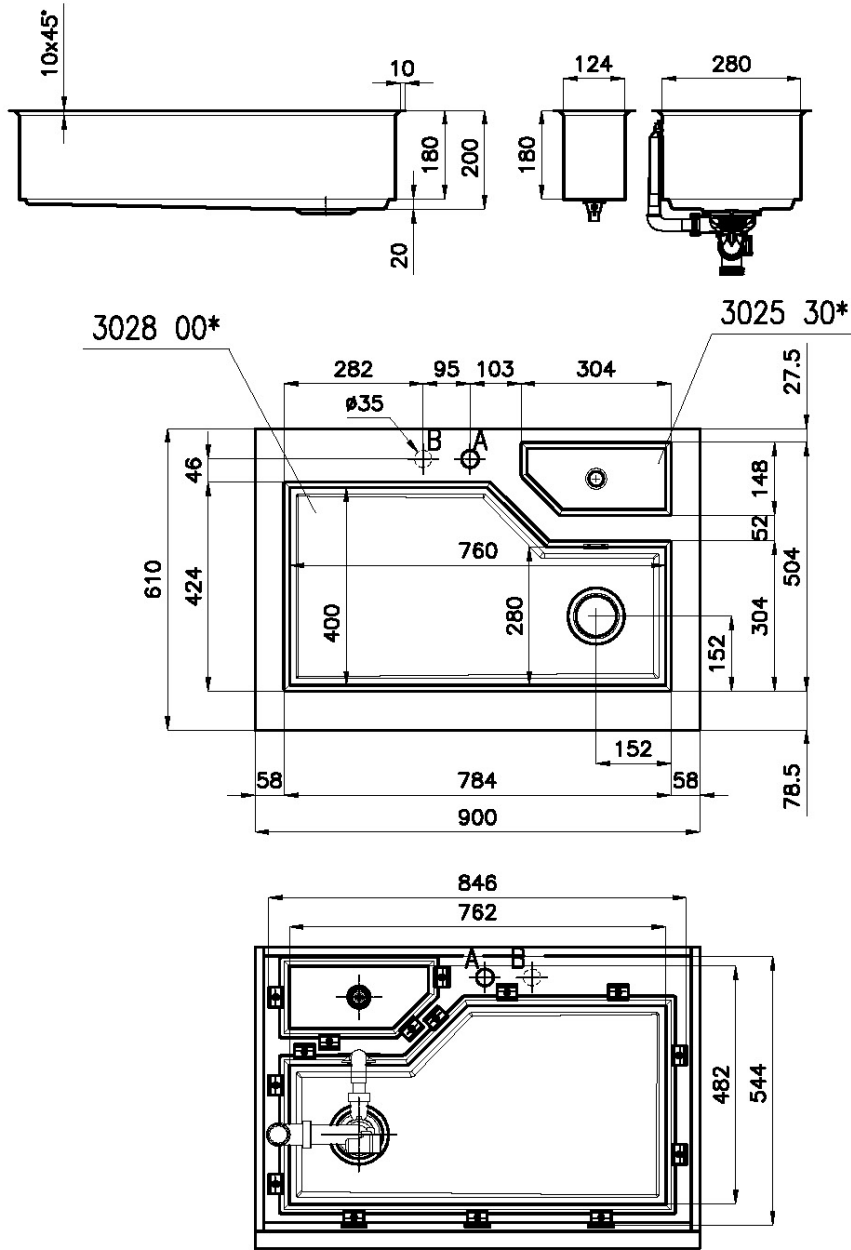
The moulded bottom guarantees perfect water flow and facilitates cleaning operations thanks to the perimeter step with sloping walls.

Perimetral overflow

The overflow is always a security on the Foster sinks that prevents the overflow of water in case of oversights. The perimeter drain solution improves aesthetics thanks to its square and essential shape.

TECHNICAL DATA

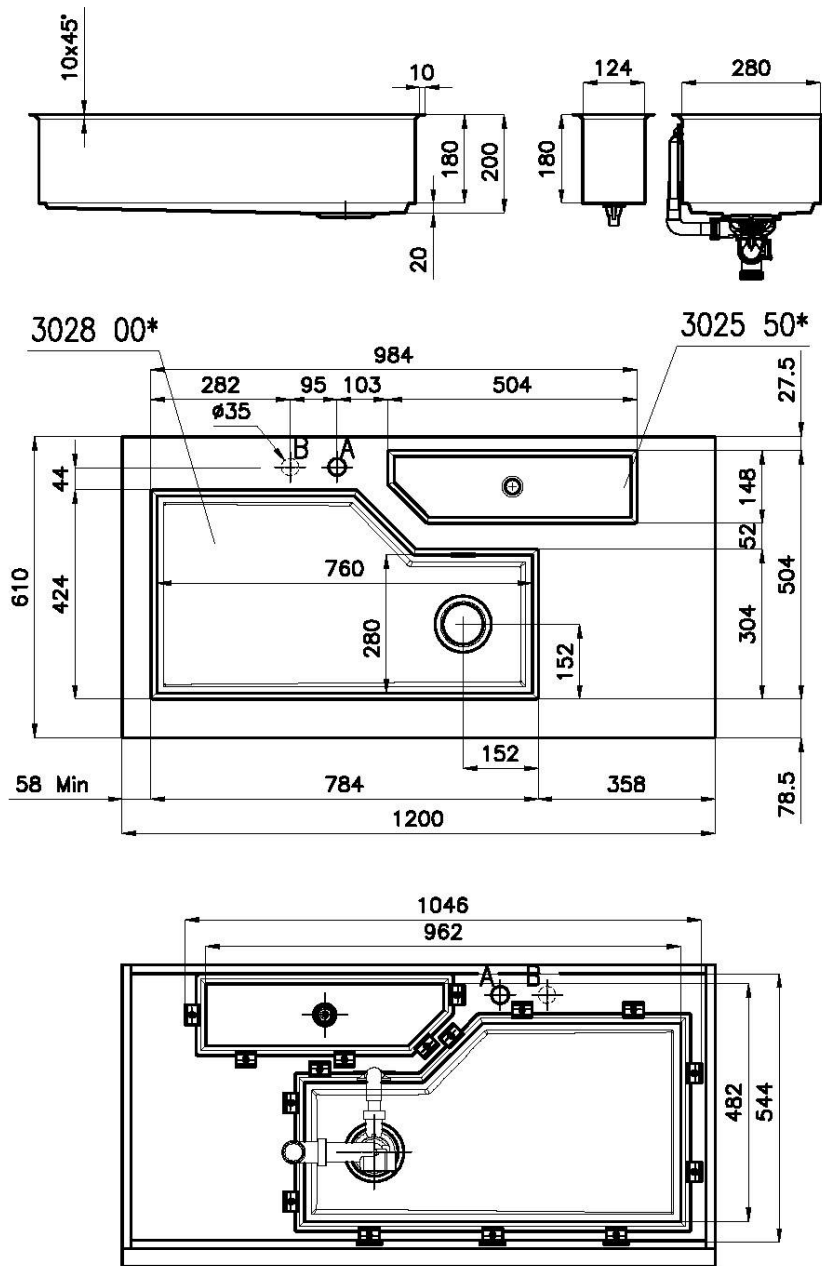
Sottotop/Under-mount
Base 90 | 90 Cabinet



A: Foro Mix/Mixer tap cut-out

B: Foro comando automatico piletta/Automatic waste-fitting command cut-out

Sottotop/Under-mount Base 120 | 120 Cabinet



A: Foro Mix/Mixer tap cut-out

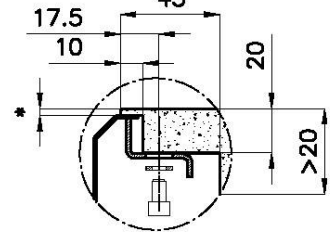
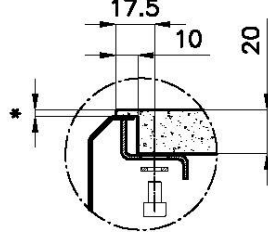
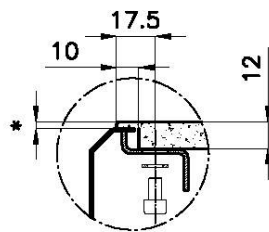
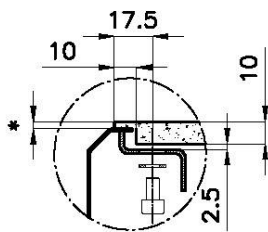
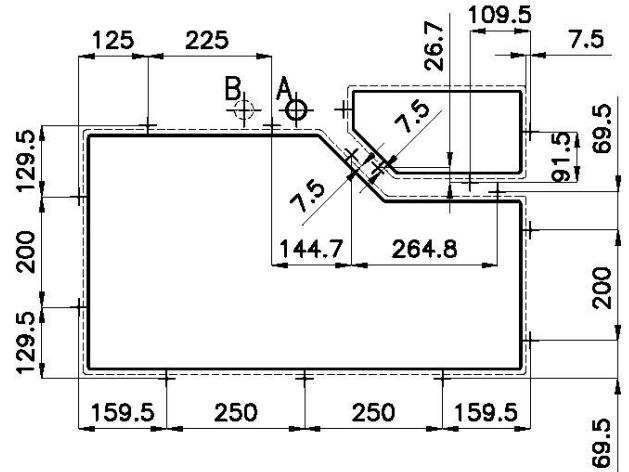
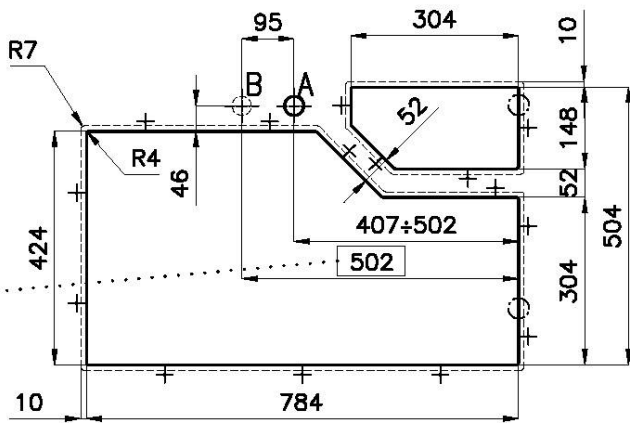
B: Foro comando automatico piletta/Automatic waste-fitting command cut-out

Sottotop/Under-mount

Base 90 | 90 Cabinet

Cut out size

Dimensioni per foratura top



Quota max per piletta automatica / Max quote for automatic drain

*lo spessore minimo deve essere valutato in base alla resistenza del materiale

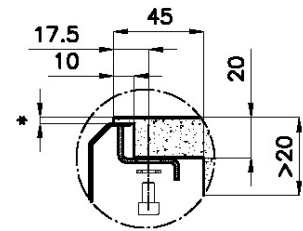
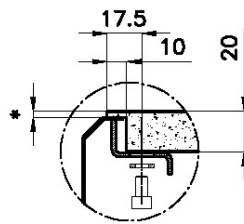
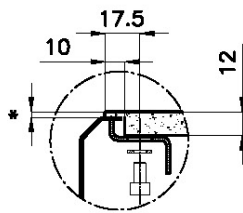
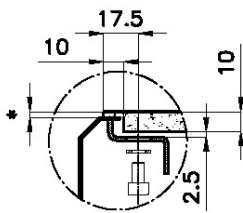
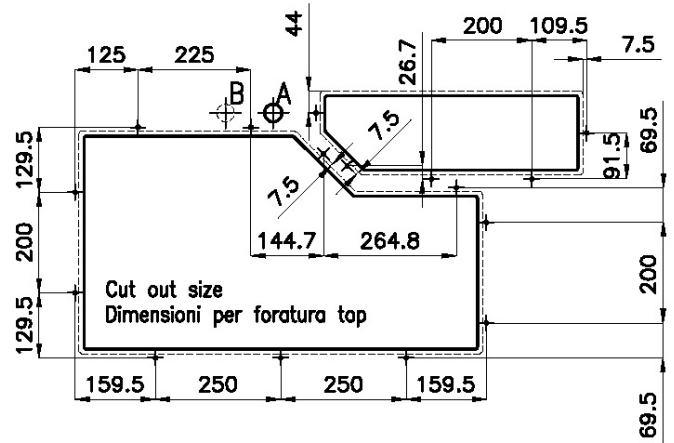
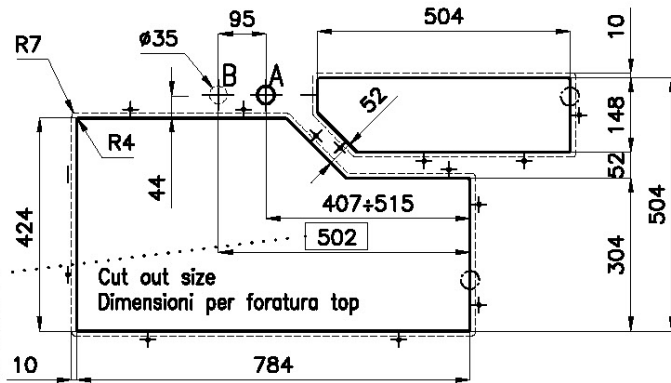
*Minimum thickness must be evaluated in reference to the material's resistance

sink thickness/spessore acciaio

1

Sottotop/Under-mount Base 120 | 120 Cabinet

Cut out size
Dimensioni per foratura top

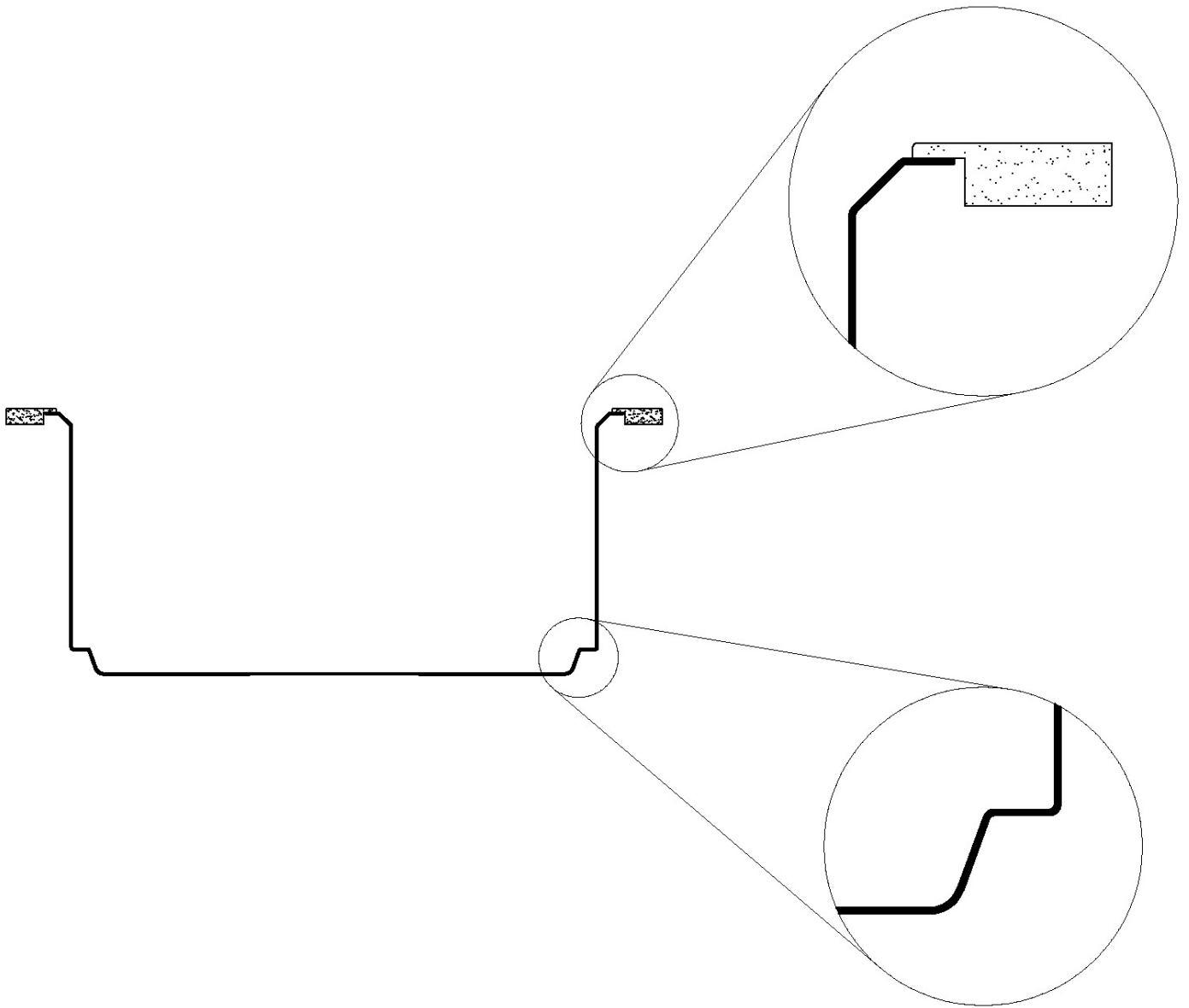


Quota max per piletta automatica / Max quote for automatic drain

*lo spessore minimo deve essere valutato in base alla resistenza del materiale
*Minimum thickness must be evaluated in reference to the material's resistance

sink thickness/spessore acciaio 1

SOTTOTOP



GALLERY



EQUIPMENT



Black multifunction chopping board

8100 608

OPTIONAL ACCESSORIES



Stainless steel perforated tray

8151 001



Black lid

8151 005



Stainless steel colander

8151 010



Iroko-wood round chopping board

8642 005

RECOMMENDED PAIRINGS



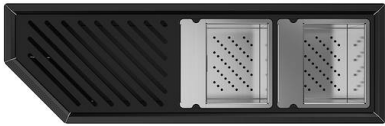
VOLTA GUN METAL
8491 106



Dispenser Evo satin Gun Metal
8520 156



**Diade equipped troughs Gun Metal
Fumè**
8100 136



**Diade equipped troughs Gun Metal
Fumè**
8100 156



**Diade equipped troughs Gun Metal
Fumè**
8100 166

OPTIONAL AUTOMATIC WASTE FITTINGS



**Space Push Gun Metal automatic
waste fitting - PO**
8407 120