

## Sink Diade Gun Metal Fumè

Kitchen Sinks

Code: 3028 016



### DETAILS

Edge/Installation Type Flush-mount | Top-mount

Material AISI 304 stainless steel

Finish PVD

Coloring Gun Metal

Texture Fumè

Base 90 cm

Width 80 cm

Dimensions 800 x 440 mm

Bowl dimension 760 x 400 mm

Built-in hole

[View technical data sheet](#)

Standard fittings

Fixing hooks, gasket, drain, overflow and siphon, boxed packing

Mixer holes

No standard holes

Drainer

No

Number of bowls

1 bowl

Waste fitting

3,5" drain

## FEATURES

Basket 3,5" waste fitting

The drain is equipped with a large 3.5" drain, with the practical basket cap that prevents the discharge of solid parts.

Deep bowls

This bowls reach an important depth, over 20 cm, thanks to the advanced production technology, that can be offer great capieny and practicity in all the washing operations.

GUN METAL FUMÈ

The Gun Metal Fumè finish is obtained by treating steel with a physical process called PVD (Phisical Vacuum Deposition) which deposits particles of noble metals on the surface. The result is a unique and refined aesthetic effect, and an improvement of the mechanical properties of the steel which is more resistant to impact and scratches.

High thickness

1mm thick steel. A significant thickness, which guarantees the maximum sturdiness and durability.

MOULDED BOTTOM

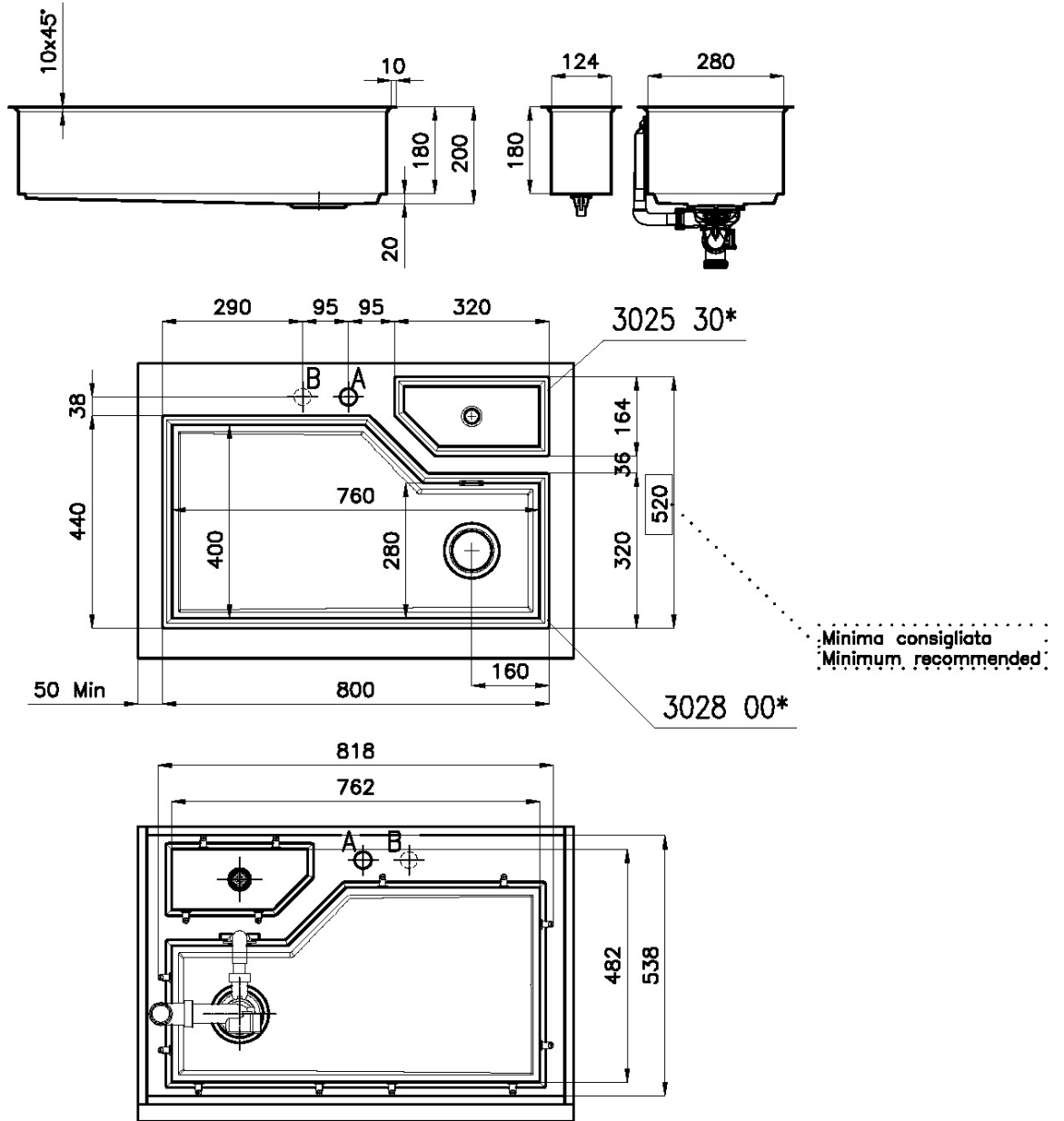
The moulded bottom guarantees perfect water flow and facilitates cleaning operations thanks to the perimeter step with sloping walls.

Perimetral overflow

The overflow is always a security on the Foster sinks that prevents the overflow of water in case of oversights. The perimeter drain solution improves aesthetics thanks to its square and essential shape.

## TECHNICAL DATA

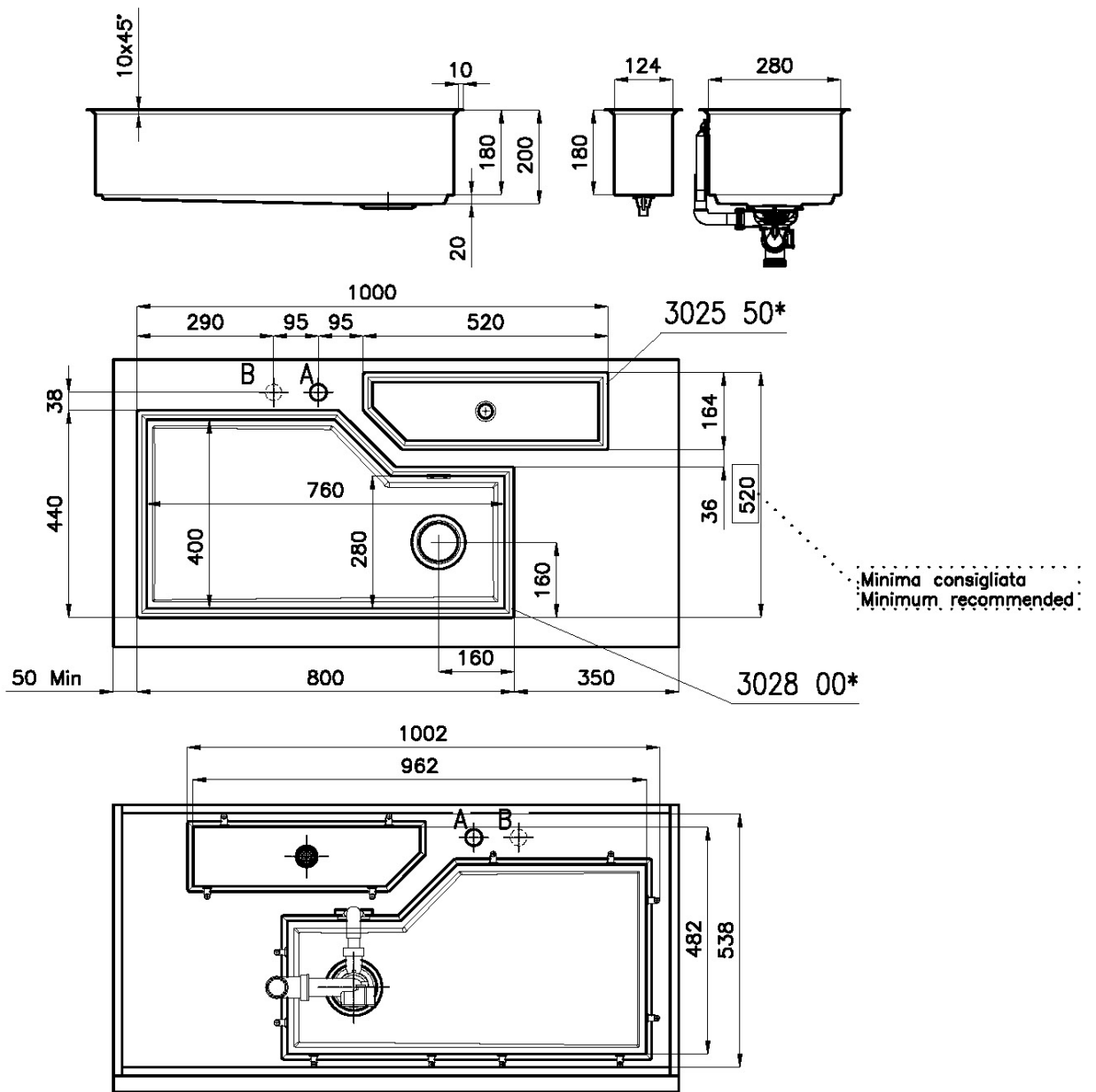
Filotop/Sopratop | Flush-mount/Drop-in-mount  
Base 90 | 90 Cabinet



A: Foro Mix/Mixer tap cut-out

B: Foro comando automatico piletta/Automatic waste-fitting command cut-out

## Filotop/Sopratop | Flush-mount/Drop-in-mount Base 120 | 120 Cabinet

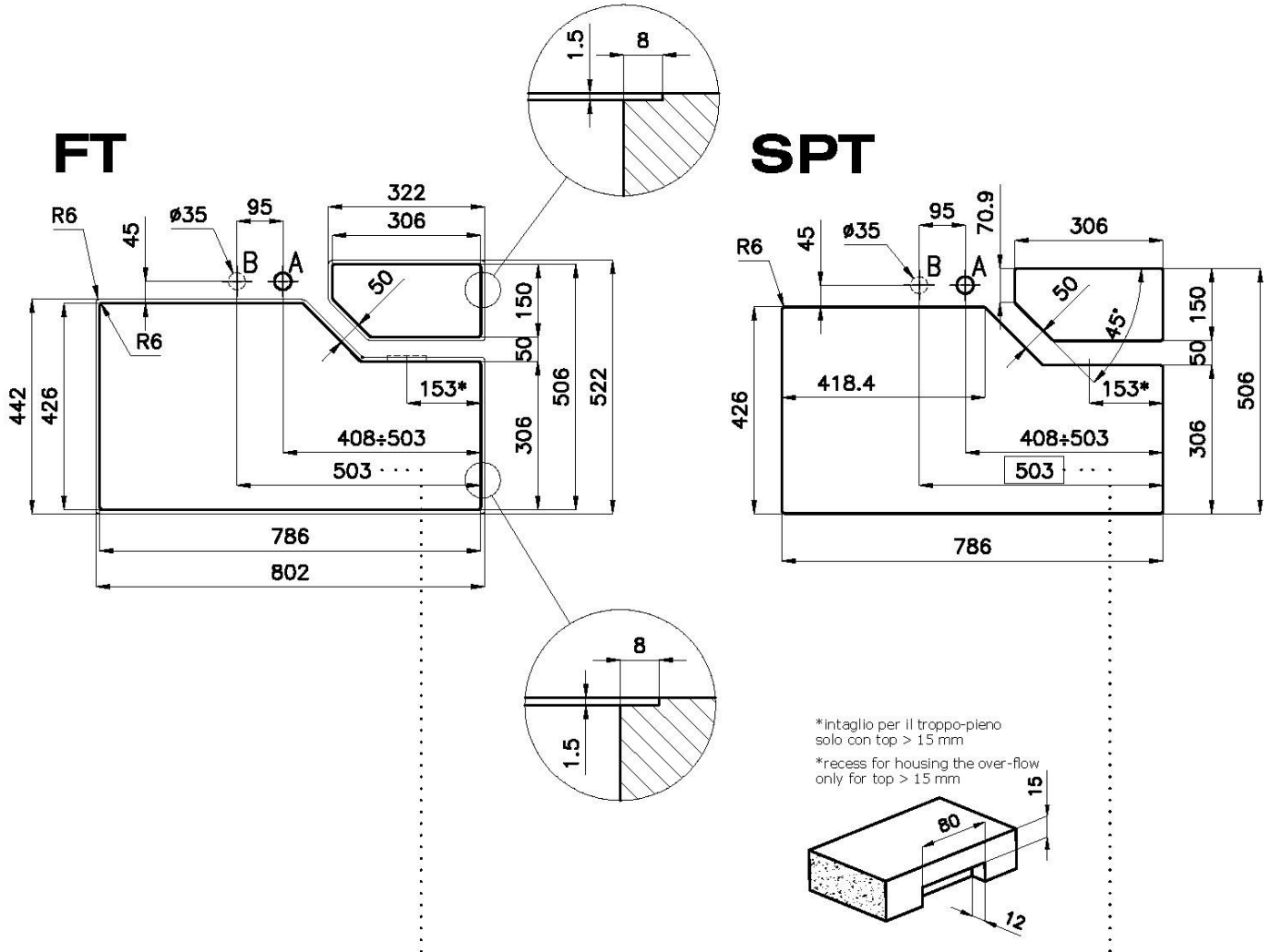


A: Foro Mix/Mixer tap cut-out

B: Foro comando automatico piletta/Automatic waste-fitting command cut-out

## Filotop/Sopratop | Flush-mount/Drop-in-mount Base 90 | 90 Cabinet

Cut out size  
Dimensioni per foratura top



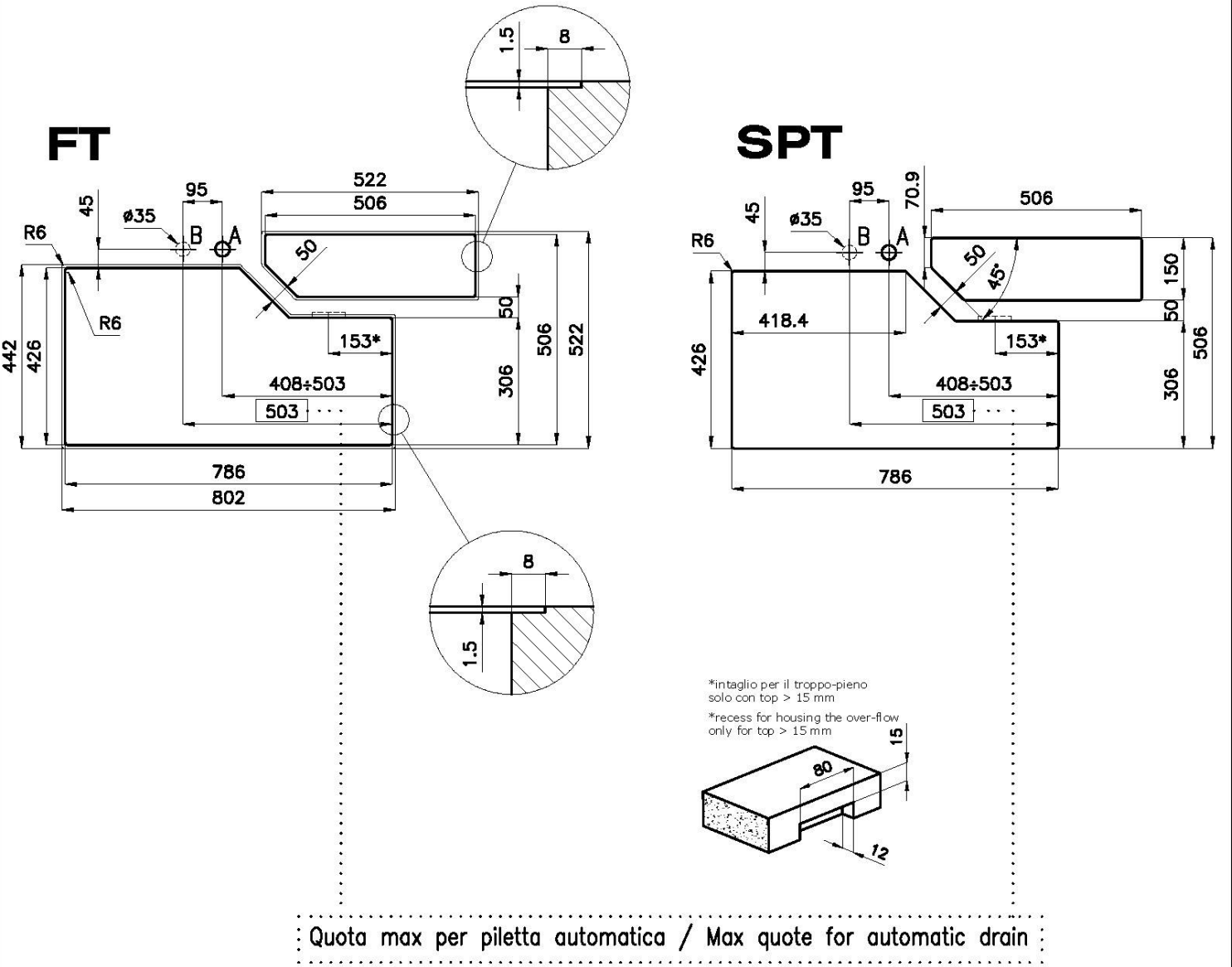
Quota max per piletta automatica / Max quote for automatic drain

sink thickness/spessore acciaio

1

## Filotop/Sopratop | Flush-mount/Drop-in-mount Base 120 | 120 Cabinet

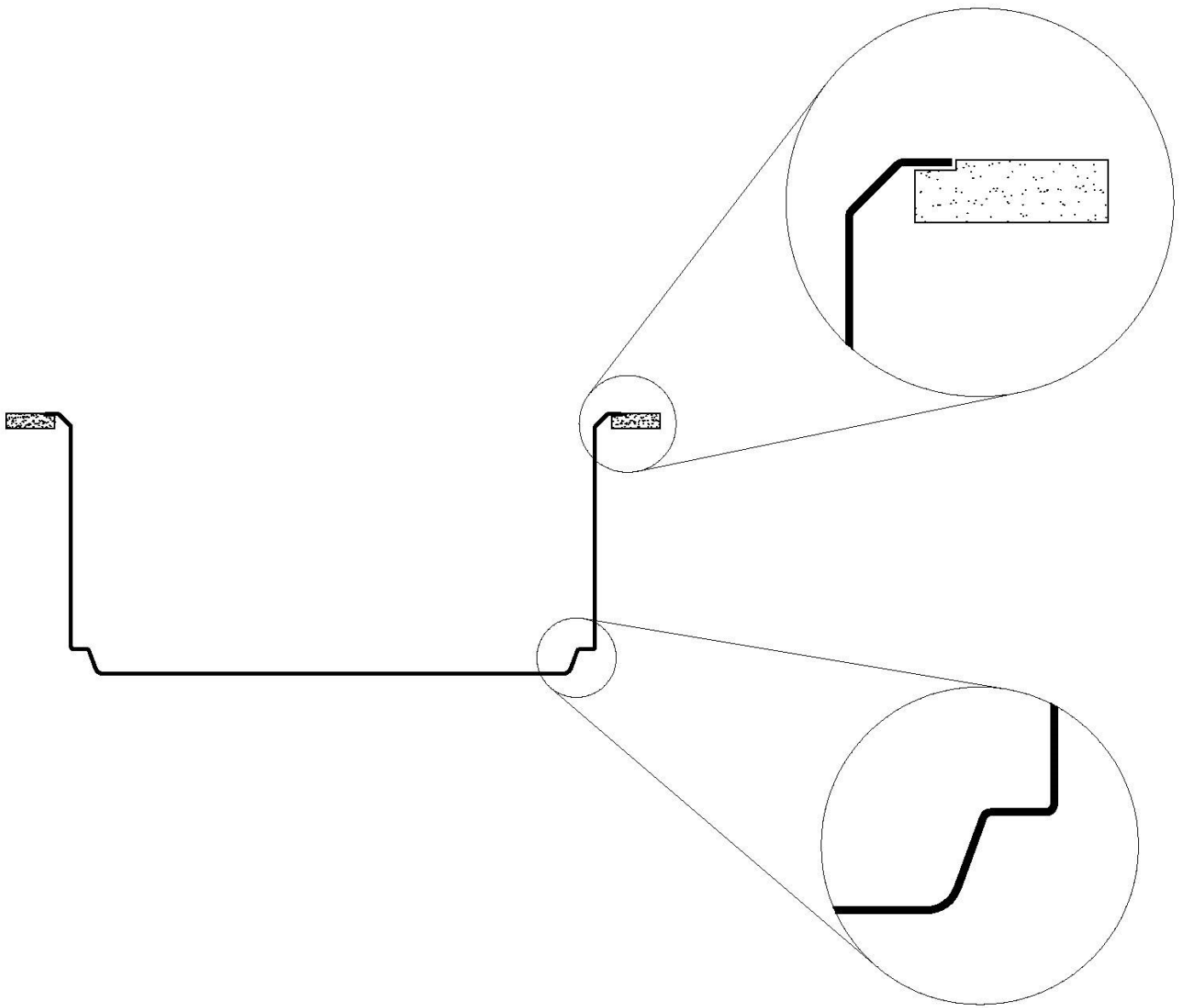
Cut out size  
Dimensioni per foratura top



sink thickness/spessore acciaio

1

## FILOTOP / SOPRATOP



### GALLERY



## EQUIPMENT



**Black multifunction chopping board**

8100 608

## OPTIONAL ACCESSORIES



**Black lid**

8151 005



**Iroko-wood round chopping board**

8642 005



**Stainless steel colander**

8151 010



**Stainless steel perforated tray**

8151 001

## RECOMMENDED PAIRINGS



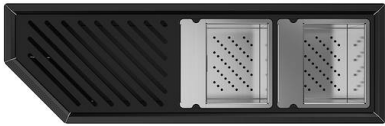
**VOLTA GUN METAL**  
8491 106



**Dispenser Evo satin Gun Metal**  
8520 156



**Diade equipped troughs Gun Metal  
Fumè**  
8100 136



**Diade equipped troughs Gun Metal  
Fumè**  
8100 156



**Diade equipped troughs Gun Metal  
Fumè**  
8100 166

## OPTIONAL AUTOMATIC WASTE FITTINGS



**Space Push Gun Metal automatic  
waste fitting - PO**  
8407 120