

## Sink Diade

Kitchen Sinks

Code: 3028 000



### DETAILS

Edge/Installation Type Flush-mount | Top-mount

Material AISI 304 stainless steel

Texture Brushed in line

Finish Foster brushed

Base 90 cm

Width 80 cm

Dimensions 800 x 440 mm

Bowl dimension 760 x 400 mm

Built-in hole [View technical data sheet](#)

Standard fittings                      Fixing hooks, gasket, drain, overflow and siphon, boxed packing

---

Mixer holes                              No standard holes

---

Drainer                                    No

---

Number of bowls                      1 bowl

---

Waste fitting                            3,5" drain

---

## FEATURES

Basket 3,5" waste fitting              The drain is equipped with a large 3.5" drain, with the practical basket cap that prevents the discharge of solid parts.

---

Deep bowls                              This bowls reach an important depth, over 20 cm, thanks to the advanced production technology, that can be offer great capiciency and practicity in all the washing operations.

---

High thickness                          1mm thick steel. A significant thickness, which guarantees the maximum sturdiness and durability.

---

MOULDED BOTTOM                      The moulded bottom guarantees perfect water flow and facilitates cleaning operations thanks to the perimeter step with sloping walls.

---

Perimetral overflow                    The overflow is always a security on the Foster sinks that prevents the overflow of water in case of oversights. The perimeter drain solution improves aesthetics thanks to its square and essential shape.

---

Save space system                      Drain and siphon are designed to leave as much space as possible in the under-sink area, more and more useful today for theseparate waste collection systems.

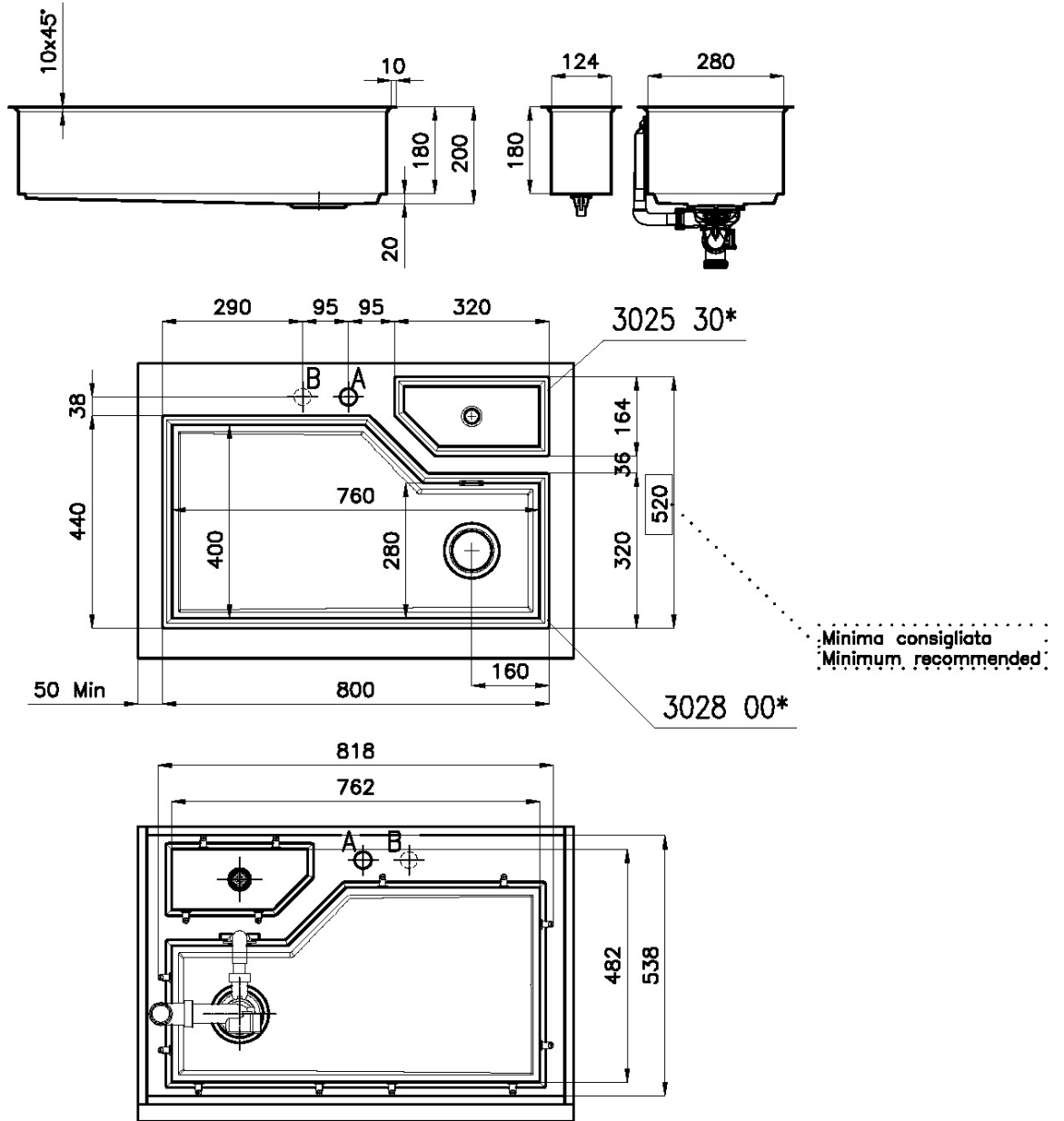
---

Space waste fitting                      The elegant SPACE steel cap closes the drain and leaves no visible residues collected in the basket below. Space also has a small footprint and allows the optimal use of the under-sink compartment.

---

## TECHNICAL DATA

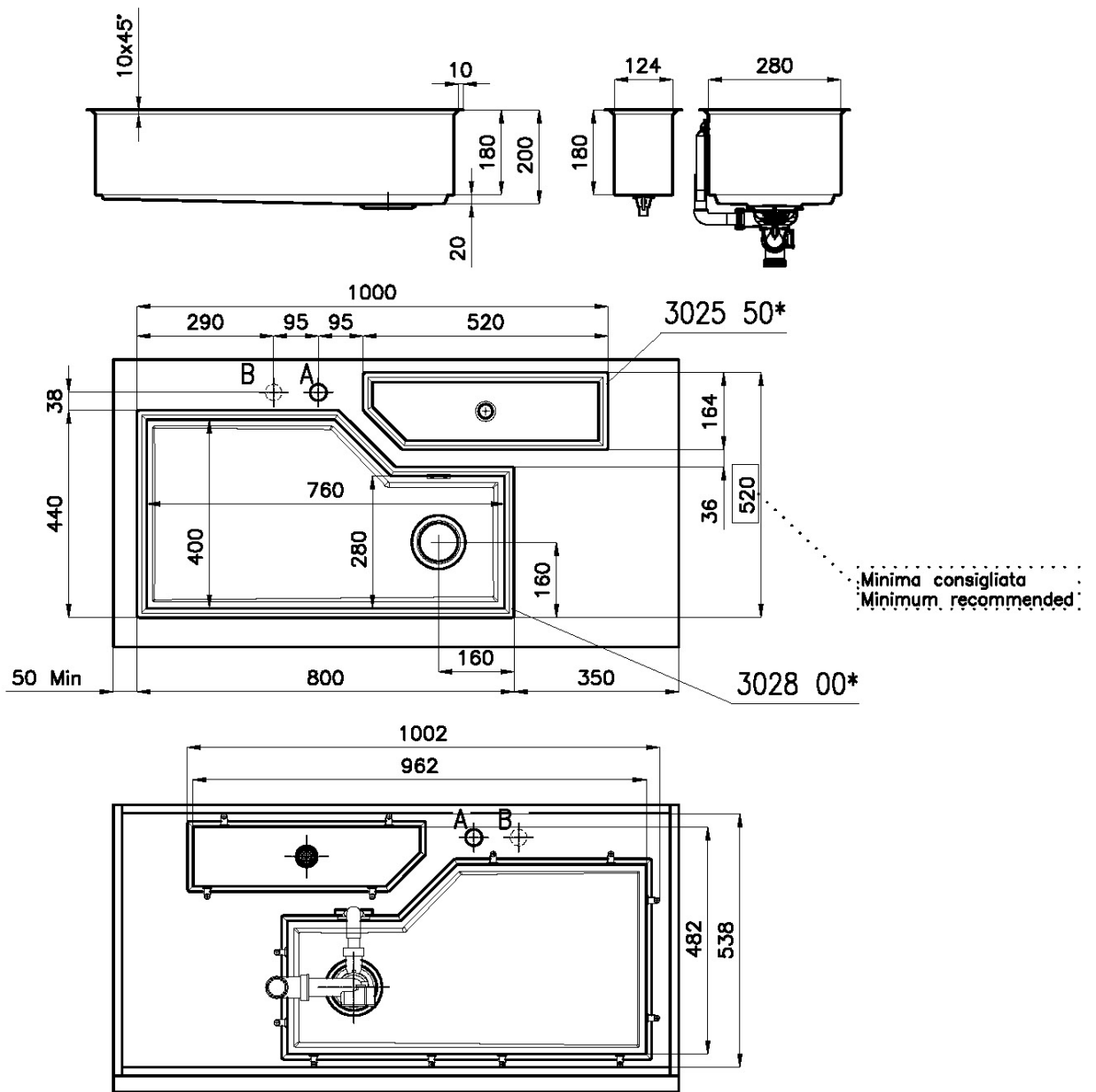
Filotop/Sopratop | Flush-mount/Drop-in-mount  
Base 90 | 90 Cabinet



A: Foro Mix/Mixer tap cut-out

B: Foro comando automatico piletta/Automatic waste-fitting command cut-out

## Filotop/Sopratop | Flush-mount/Drop-in-mount Base 120 | 120 Cabinet

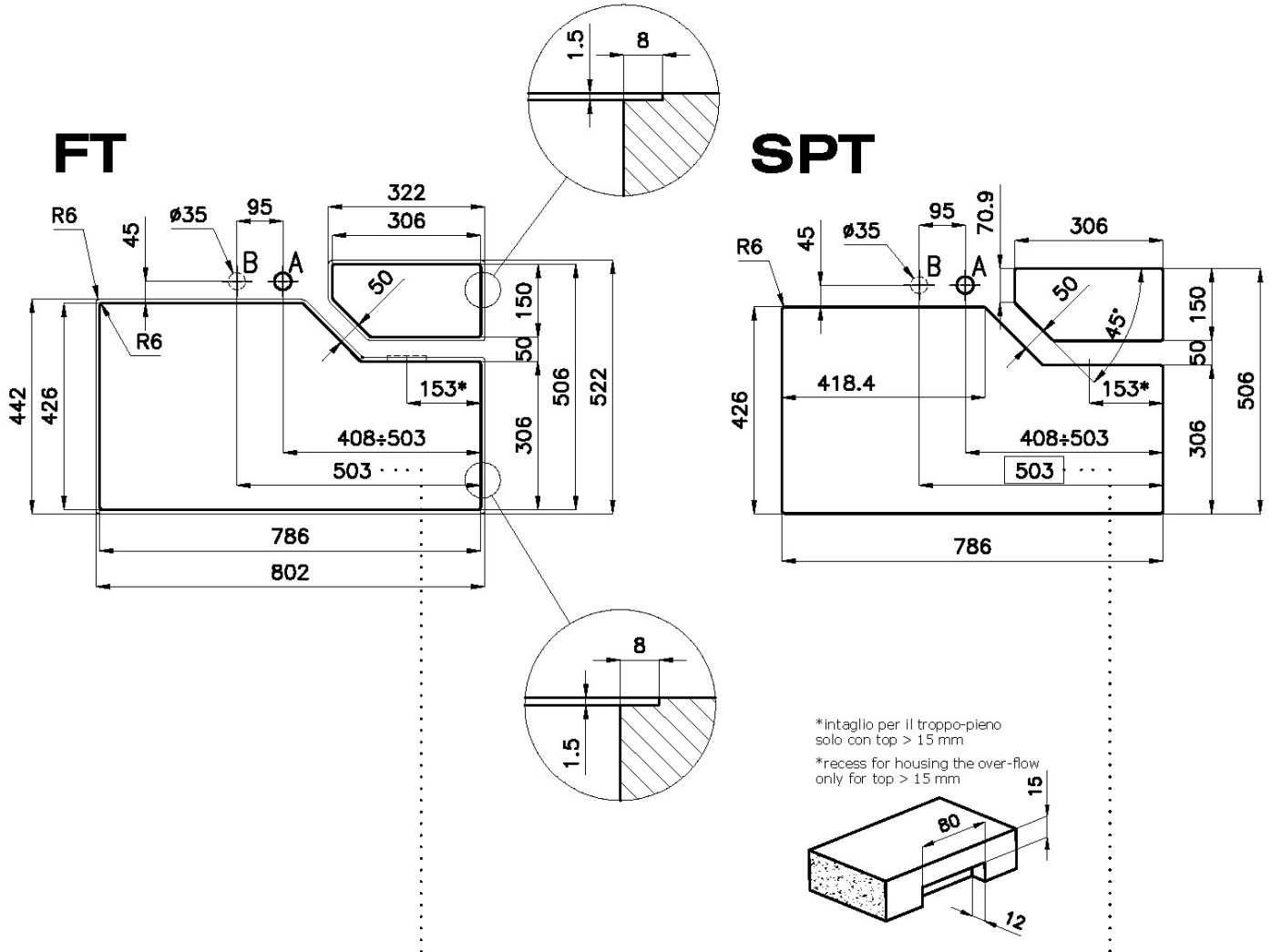


A: Foro Mix/Mixer tap cut-out

B: Foro comando automatico piletta/Automatic waste-fitting command cut-out

## Filotop/Sopratop | Flush-mount/Drop-in-mount Base 90 | 90 Cabinet

Cut out size  
Dimensioni per foratura top



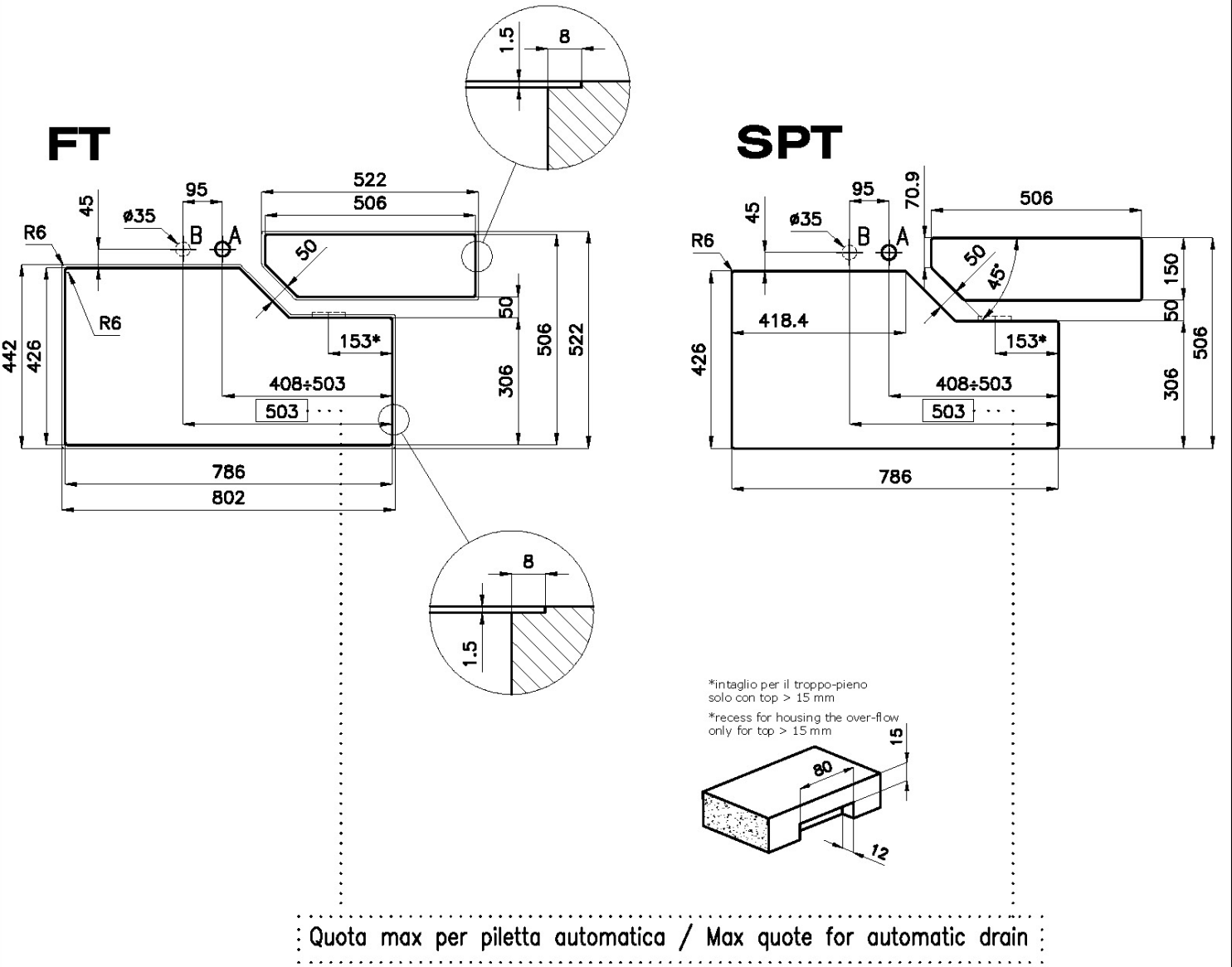
Quota max per piletta automatica / Max quote for automatic drain

sink thickness/spessore acciaio

1

## Filotop/Sopratop | Flush-mount/Drop-in-mount Base 120 | 120 Cabinet

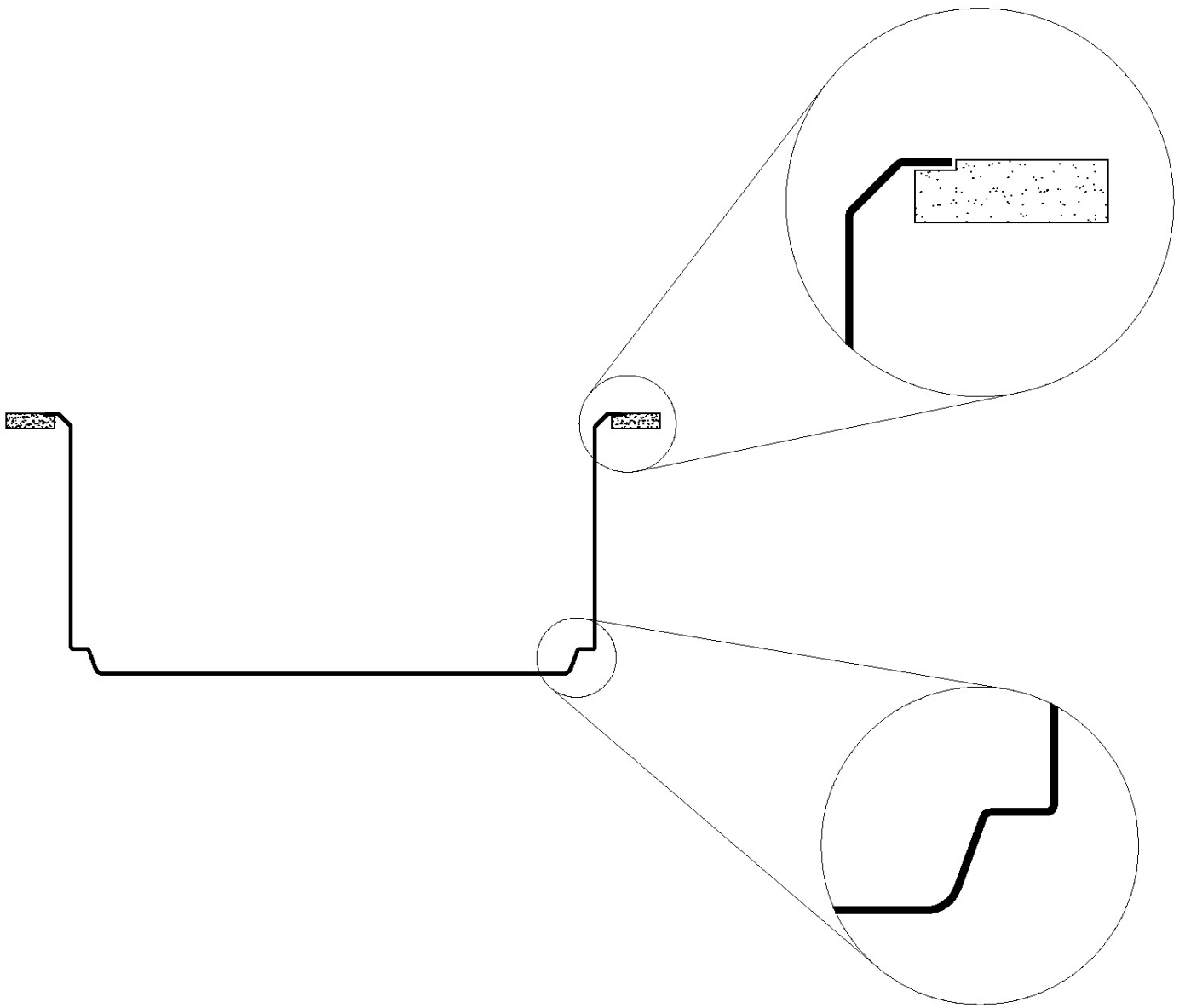
Cut out size  
Dimensioni per foratura top



sink thickness/spessore acciaio

1

## FILOTOP / SOPRATOP



## GALLERY



## EQUIPMENT



**Black multifunction chopping board**

8100 608

## OPTIONAL ACCESSORIES



**Stainless steel perforated tray**  
8151 001



**Black lid**  
8151 005



**Stainless steel colander**  
8151 010



**Iroko-wood round chopping board**  
8642 005

## RECOMMENDED PAIRINGS



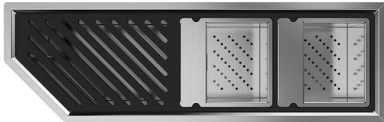
**VOLTA**  
8491 100



**Dispenser Evo Satin**  
8520 100



**Diade equipped troughs**  
8100 800



**Diade equipped troughs**  
8100 801



**Diade equipped troughs**  
8100 802

## OPTIONAL AUTOMATIC WASTE FITTINGS



**Space Push automatic waste fitting**  
- PP  
8407 116