

## Equipped troughs

Equipped troughs

Code: 3025 880



### DETAILS

Edge/Installation Type	Undermount
Material	AISI 304 stainless steel
Finish	Foster brushed
Texture	Brushed in line
Base	90 cm
External dimensions	858 x 170 mm
Internal dimensions	842 x 122 mm
Width	85,8 cm
Length	6 unit - Standard

Built-in hole

[View technical data sheet](#)

---

Standard fittings

Fixing hooks, drain, boxed packing

---

Waste fitting

1¼" drain

---

Key to understanding the accessories

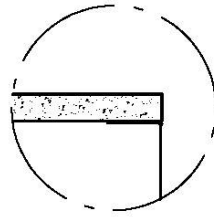
The lengths of the channels and accessories are indicated in “units”; for the composition, the sum of the “units” of the accessories must be the same as the length in “units” of the channel.

---

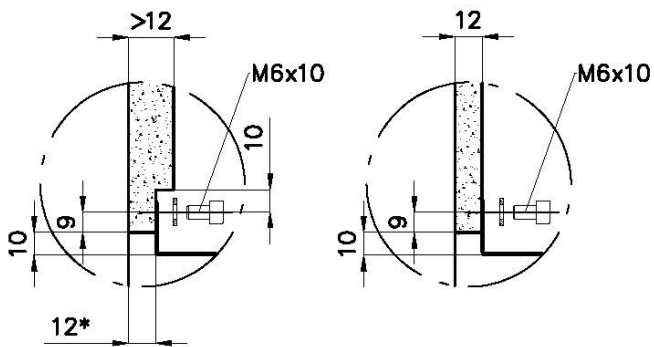
## TECHNICAL DATA



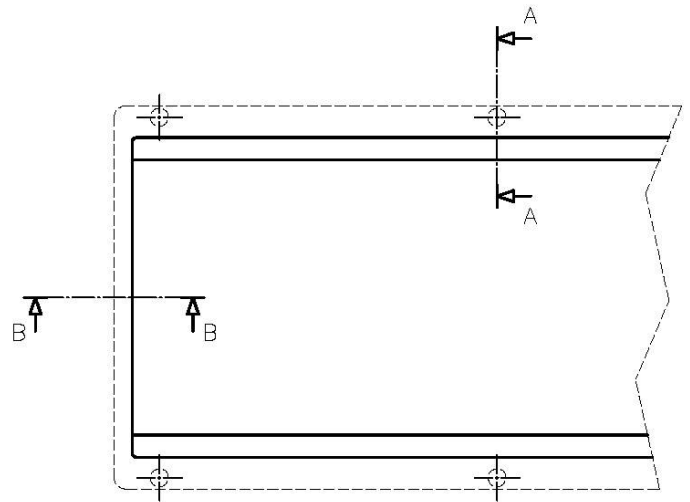
## Sottotop/Undermount



B-B:  
 Dettaglio installazione  
 Installation detail

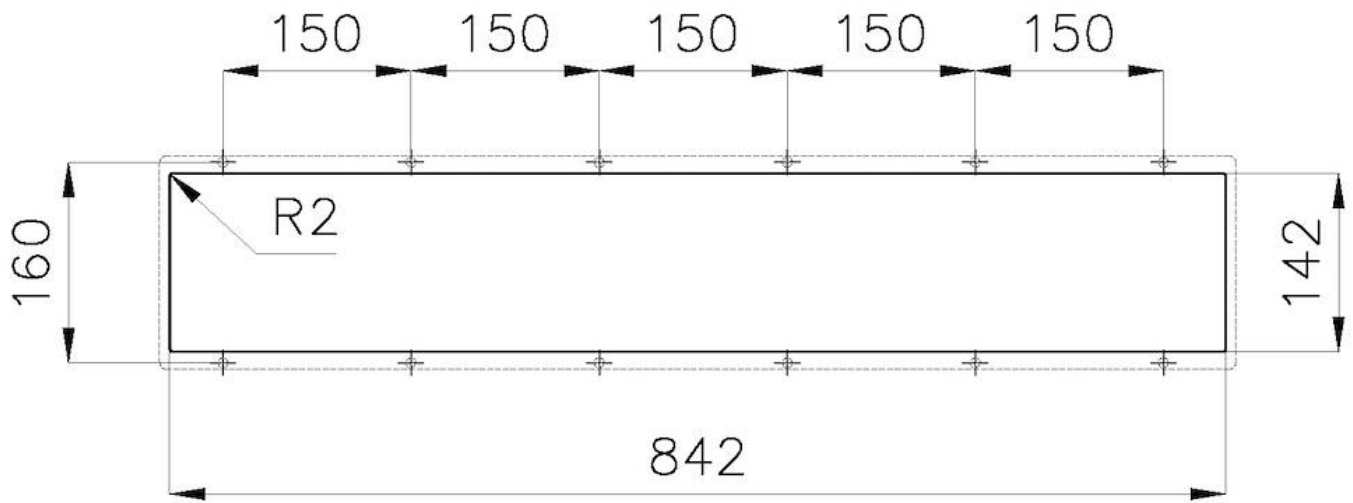


A-A:  
 Dettaglio installazione positive reveal e sistema di fissaggio  
 Installation detail with positive reveal and fixing system

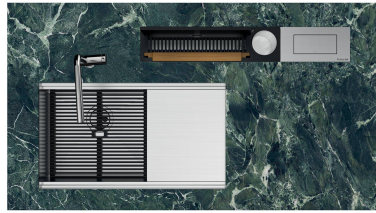
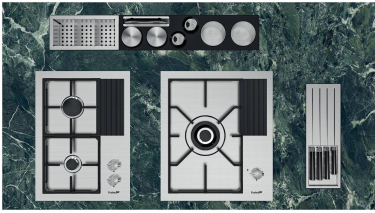


\*spessore consigliato per un abbinamento perfetto con gli accessori  
 \*recommended thickness for a perfect match with the accessories

Dimensioni per foratura top  
Cut out size



## GALLERY



## OPTIONAL ACCESSORIES



**Black drainer**  
8100 058



**Kit "A"**  
8100 703



**Kit "B"**  
8100 700



**Kit "C"**  
8100 701



**Kit "D"**  
8100 704



**Kit "E"**  
8100 705



**Kit "F"**  
8100 706



**Kit "G"**  
8100 710



**Kit "H"**  
8100 702



**Kit "N"**  
8100 714



**Push socket-holder**  
8000 020



**Stainless steel knife holder**  
8100 712



**Stainless steel perforated tray**  
8151 003



**Stainless steel plate rack**  
1773 100