

## Slim equipped troughs

Equipped troughs

Code: 3024 801



### DETAILS

Edge/Installation Type Flush-mount | Top-mount

---

Material AISI 304 stainless steel

---

Finish Foster brushed

---

Texture Brushed in line

---

Base 45 cm

---

External dimensions 430 x 110 mm

---

Internal dimensions 390 x 90 mm

---

Width 43 cm

---

Length 1 unit - Slim

---

Built-in hole

[View technical data sheet](#)

---

Standard fittings

Fixing hooks, gasket, drain, boxed packing

---

Waste fitting

1¼" drain

---

Key to understanding the accessories

The lengths of the channels and accessories are indicated in “units”; for the composition, the sum of the “units” of the accessories must be the same as the length in “units” of the channel.

---

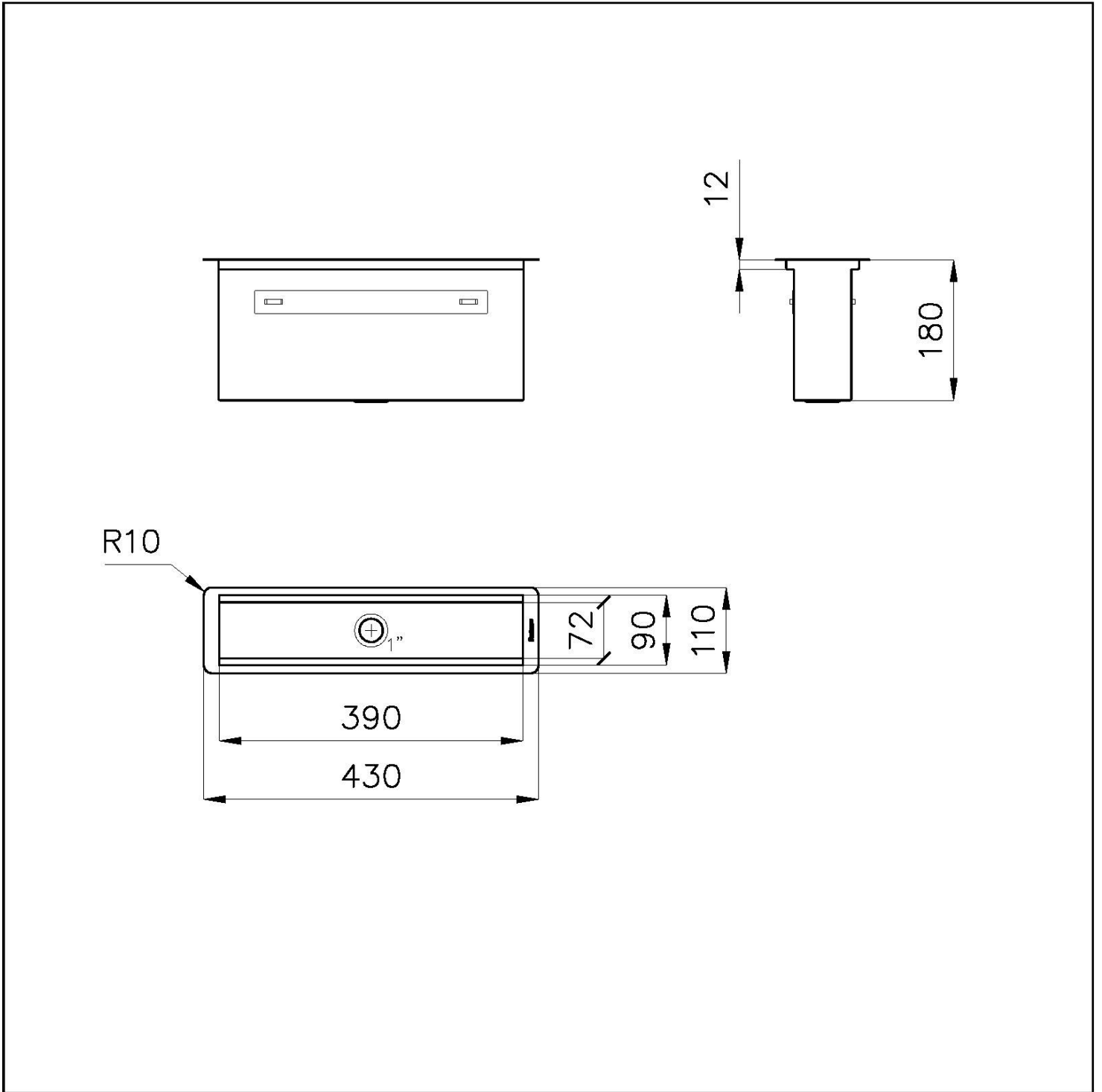
## FEATURES

High thickness

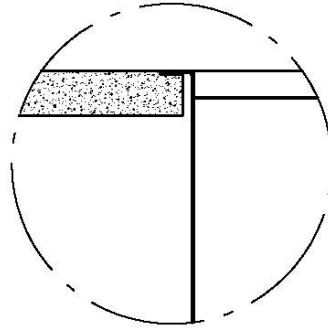
1mm thick steel. A significant thickness, which guarantees the maximum sturdiness and durability.

---

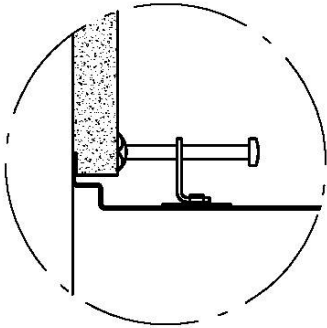
## TECHNICAL DATA



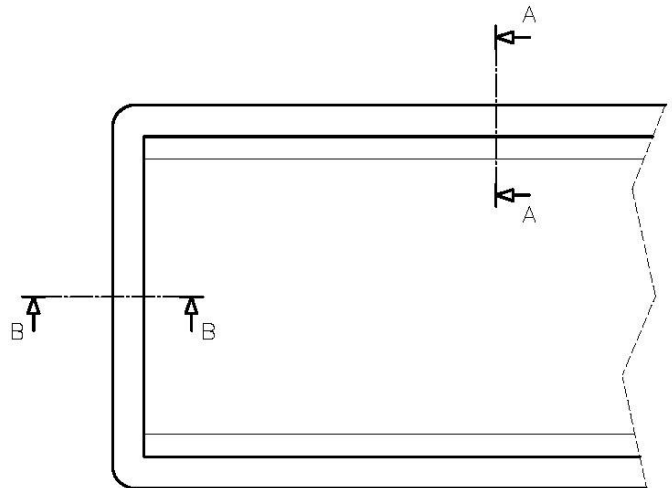
## Filotop/Flush-mount



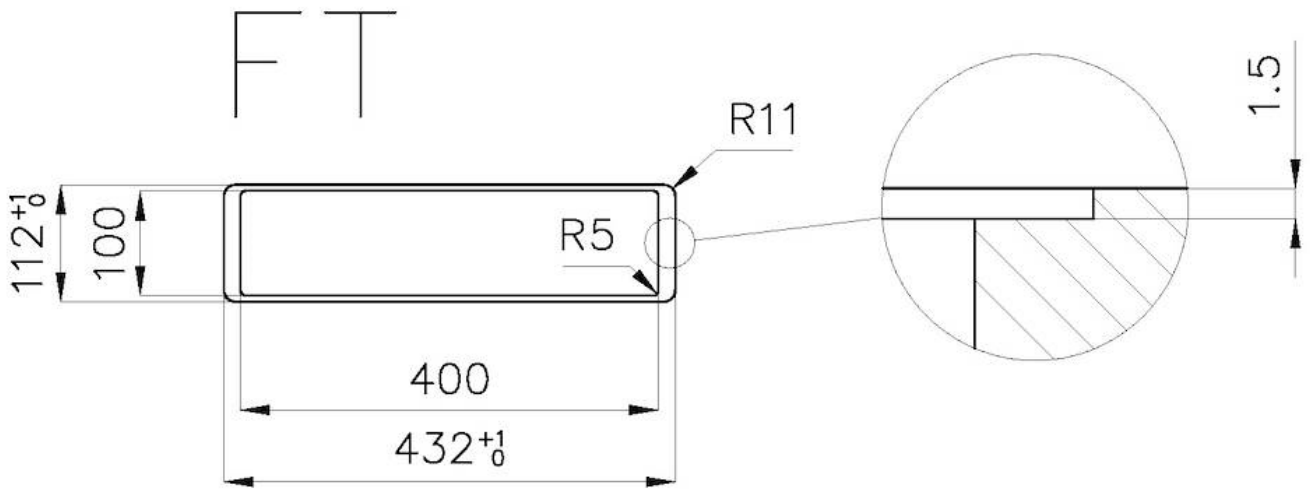
B-B:  
Dettaglio installazione  
Installation detail



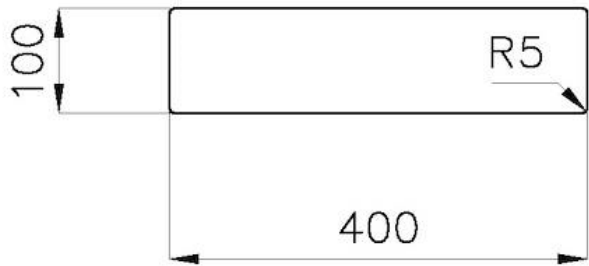
A-A:  
Dettaglio installazione e sistema di fissaggio  
Installation detail and fixing system



Dimensioni per foratura top  
Cut out size



SPT



## GALLERY



## OPTIONAL ACCESSORIES



**Kit "I"**  
8100 707



**Kit "O"**  
8100 715



**Stainless steel perforated tray**  
8151 004