

## Sink FL

Kitchen Sinks

Code: 2975 060



### DETAILS

Edge/Installation Type      Standard (8 mm Edge)

---

Finish      Foster brushed

---

Material      AISI 304 stainless steel

---

Texture      Foster brushed

---

Base      80 cm

---

Dimensions      860 x 500 mm

---

Standard fittings      Fixing hooks, gasket, drain, overflow and siphon, boxed packing

---

Mixer holes      1 standard hole - 2nd and 3rd on request

---

Built-in hole      840 x 480 mm

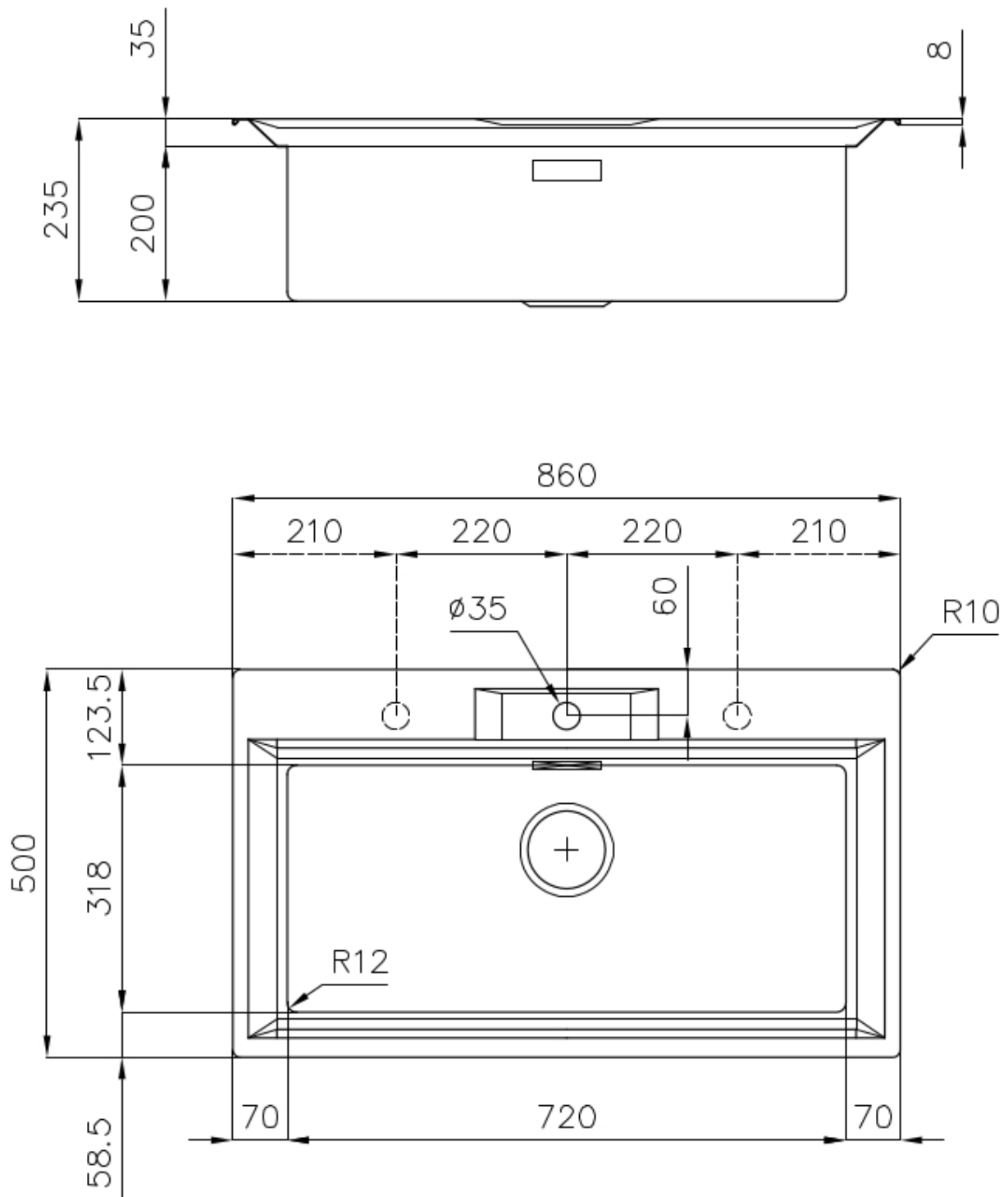
---

Drainer	No
Width	86 cm
Bowl dimension	720x320mm
Number of bowls	1 bowl
Waste fitting	Drain SPACE 3,5"

## FEATURES

Deep bowls	This bowls reach an important depth, over 20 cm, thanks to the advanced production technology, that can be offer great capiciency and practicity in all the washing operations.
High thickness	1mm thick steel. A significant thickness, which guarantees the maximum sturdiness and durability.
Perimetral overflow	The overflow is always a security on the Foster sinks that prevents the overflow of water in case of oversights. The perimeter drain solution improves aesthetics thanks to its square and essential shape.
Save space system	Drain and siphon are designed to leave as much space as possible in the under-sink area, more and more useful today for theseparate waste collection systems.
Small radius	Bowls with squared shapes with a modern design and an increased capacity, for a minimal aesthetics connected with an extreme practicity.
Space waste fitting	The elegant SPACE steel cap closes the drain and leaves no visible residues collected in the basket below. Space also has a small footprint and allows the optimal use of the under-sink compartment.

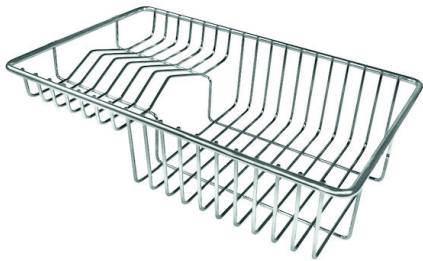
## TECHNICAL DATA



## GALLERY



## OPTIONAL ACCESSORIES



**Stainless steel plate rack**  
8100 304

## RECOMMENDED PAIRINGS



**Mixer Tap Play**  
8487 000