

## Dishwasher FL 2960 000

Dishwasher

Code: 2960 000



### DETAILS

Supply 220-240V 50-60Hz

---

Hinges a fulcro variabile

---

Energy class A+++

---

Water consumption 9Lt/cycle

---

Energy consumption 0.81kwh/cycle

---

Drying Efficiency A

---

Washing Efficiency A

---

End of cycle indicators acoustic + floor light

---

Door panel dimension limits thickness 18-20 mm  
height 660- 720 mm

---

Place settings 13

---

Number of levels 3

---

Number of programs 10

---

Delayed programming 1 - 24 h

---

Programming Electronic

---

Height adjustment 0-70 mm

---

Frontal adjustment of rear feet YES

---

Noise level 44 dB (A) in sound powerdB (A)

---

## FEATURES

13 place-setting capacity

---

**A+++** The new dishwashers offers the best energy efficiency and water saving, with a need of only 9 litres per cycle.

---

**Acquastop safety** The system stops the water supply and prevents leaks and overflows at source.

---

**Adjustable basket** The upper basket is simple to adjust in height, even when fully loaded. This allows better space management according to washing needs.

---

**Delayed programming** It is possible to program a delayed start of the dishwasher, and thus to optimize the energy consumption during the day.

---

Half-load option

Saving time and energy with the half-load setting. Available on all programs.

Perfect silence

Tabs "all in one"

This option guarantees perfect results with all kinds of detergent. Once it is activated, the washing cycle is adapted to the practical all-in-one tabs instead of the regular detergent.

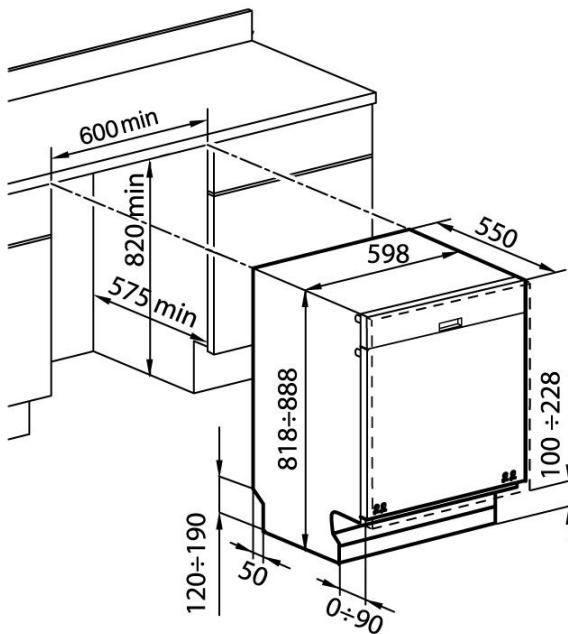
Ten washing programs

As many as 10 programs (5 plus 5 rapid programs) make for an extremely flexible dishwasher, adapted for all kinds of need.

Third level for cutlery

The third upper basket, meant for cutlery, is extremely practical and increases the available space up to 13 place-settings.

## TECHNICAL DATA



## GALLERY

