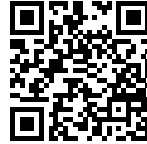




## Dishwasher KS Plus

Dishwasher

Code: 2941 001



### DETAILS

Supply 220-240V - 50Hz

---

Water consumption 12Lt / Cycle

---

Energy consumption 103 kWh / 100 ECO cycles

---

Standard fittings Cutlery basket

---

End of cycle indicators Acoustic + Floor light

---

Door panel dimension limits  
Thickness: 18-28 mm  
FIXED panel - Height: 660-720 mm  
SLIDING panel - Height: 660-770 mm

---

Number of place settings 13

---

Number of levels 2

---

Number of programs 10

---

Delayed programming 1 - 24 h

---

Programming Electronic

---

Height adjustment 0-70 mm

---

Frontal adjustment of rear feet Yes

---

Noise level 48 dB(A) in sound power dB(A) - Class C

---

Energy class F

---

## FEATURES

**Extra rapid** When you're in a hurry, this function reduces the programs' duration, down to the 15' of the rapid program.

---

**Ten washing programs** As many as 10 programs (5 plus 5 rapid programs) make for an extremely flexible dishwasher, adapted for all kinds of need.

---

**Half-load option** Saving time and energy with the half-load setting. Available on all programs.

---

**Acquastop safety** The system stops the water supply and prevents leaks and overflows at source.

---

**Total hygiene function** A program for those who have above-average needs in terms of hygiene; it increases the washing and drying temperatures.

---

**Delayed programming** It is possible to program a delayed start of the dishwasher, and thus to optimize the energy consumption during the day.

---

**Adjustable basket** The upper basket is simple to adjust in height, even when fully loaded. This allows better space management according to washing needs.

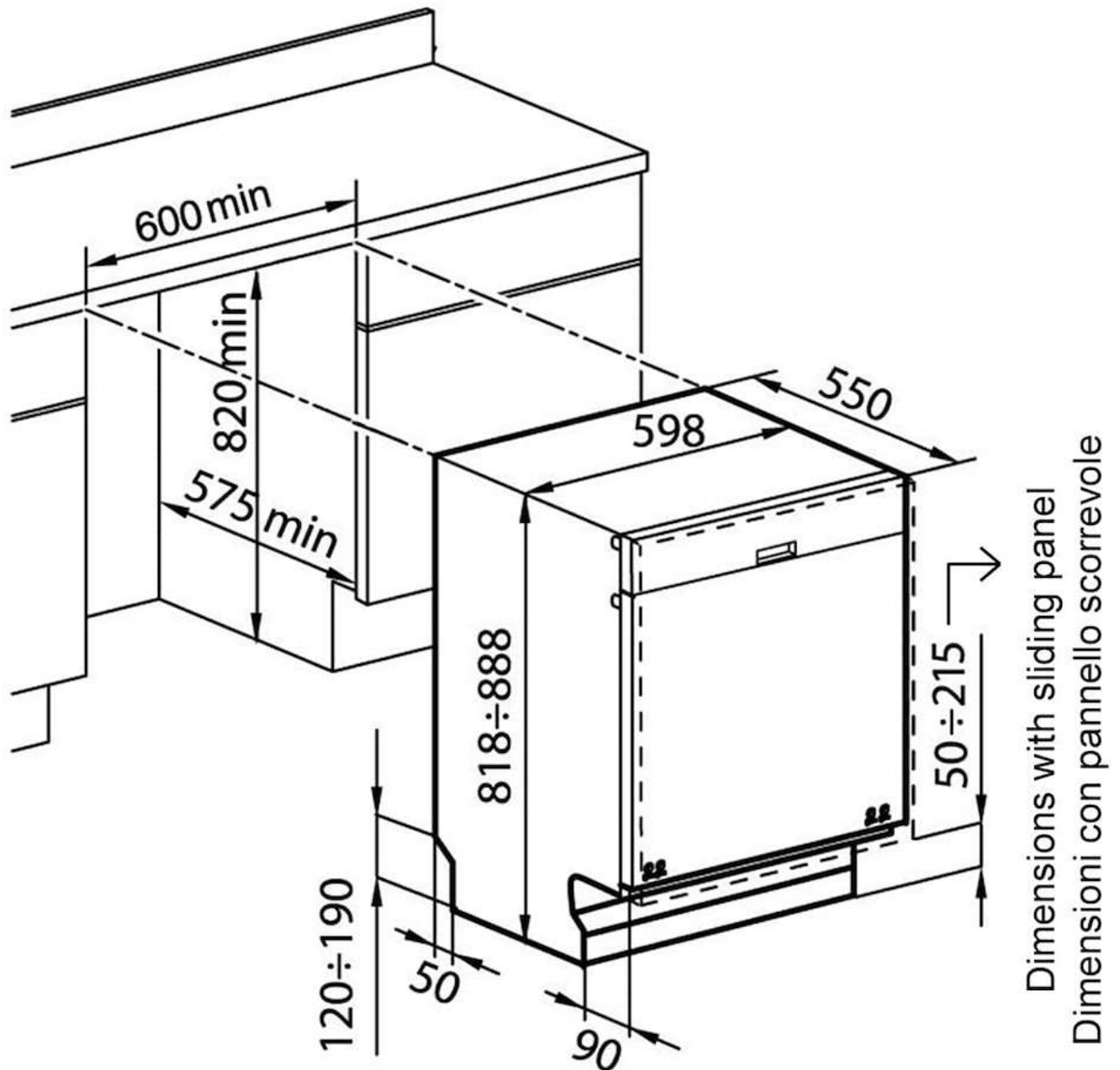
---

Tabs "all in one"

This option guarantees perfect results with all kinds of detergent. Once it is activated, the washing cycle is adapted to the practical all-in-one tabs instead of the regular detergent.

13 place-setting capacity

## TECHNICAL DATA



## GALLERY



## OPTIONAL ACCESSORIES



Stainless steel panel