



## Dishwasher Foster Milano 2930 000

Dishwasher

Code: 2930 000



### DETAILS

Supply 220-240V 50-60Hz

---

Energy class A+++

---

Water consumption 9.5Lt/cycle

---

Energy consumption 0,86kwh/cycle

---

Drying Efficiency A

---

Washing Efficiency A

---

Door panel dimension limits  
thickness 18-20 mm  
height 660 800 mm

---

Number of place settings 16

---

Number of levels 3

---

Number of programs	5
Delayed programming	1 - 24 h
Programming	Electronics - touch controls

Height adjustment 0 - 50 mm

Frontal adjustment of rear feet Yes

Noise level 45 dB (A) in sound powerdB (A)

## FEATURES

16 place-setting capacity Thanks to a careful design the dishwasher has a top-of-the-range capacity of 16 place-setting.

A+++ The new dishwashers offers the best energy efficiency and water saving, with a need of only 9 litres per cycle.

Acquastop safety The system stops the water supply and prevents leaks and overflows at source.

Adjustable basket The upper basket is simple to adjust in height, even when fully loaded. This allows better space management according to washing needs.

Auto The dishwasher is equipped with a water cleaning sensor to optimize time and water consumption.

Delayed programming It is possible to program a delayed start of the dishwasher, and thus to optimize the energy consumption during the day.

Extra rapid When you're in a hurry, this function reduces the programs' duration, down to the 15' of the rapid program.

## Perfect dry function

The drying cycle is improved by the automatic opening of the door at the cycle's end, so as to vent the residual steam.

---

## Slider system door

The door panel can be up to 75 cm high, thanks to the connecting system equipped with slider, which slides it upwards when opening. This eliminates the need for a cut-out in the plinth.

---

## Tabs "all in one"

This option guarantees perfect results with all kinds of detergent. Once it is activated, the washing cycle is adapted to the practical all-in-one tabs instead of the regular detergent.

---

## Third level for cutlery

The third upper basket, meant for cutlery, is extremely practical and increases the available space up to 13 place-settings.

---

## Total hygiene function

A program for those who have above-average needs in terms of hygiene; it increases the washing and drying temperatures.

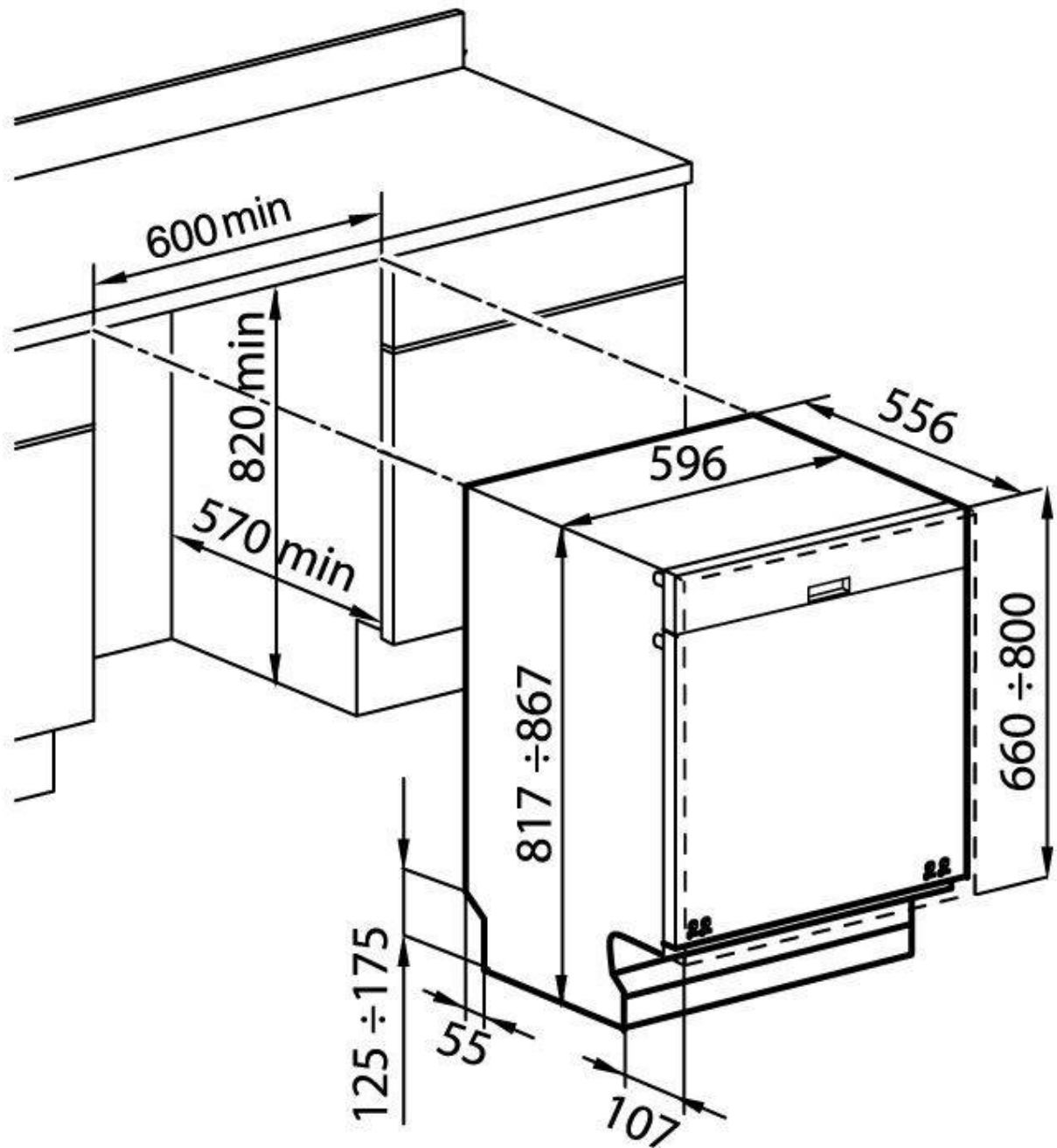
---

## Water saving

Foster pays particular attention to a valuable resource such as water. The icon appears next to models with a consumption of less than 10 liters per cycle.

---

## TECHNICAL DATA



## GALLERY

