

Hood Cilindro wall

Hoods

Code: 2531 001



DETAILS

Material AISI 304 stainless steel

Texture Brushed in line

Chimney height 920 mm

Energy class A+

Grease filters 1 grease filter in stainless steel

Operation Suction hood (filtering mode with optional carbon filters)

Air exhaust hole \varnothing 120/150 mm

Lighting LED lighting: 4 x 1,2W (5.500 kelvin)

Motors Brushless

Air flow rate 700mc/h

Motor power 160W

Hood type Wall-mounted suction hood

Type of commands Minimal electronic controls

Suction speed 4 operating speeds

Notes: Fume exhaust ducts must have an internal diameter not lower than 120 mm

FEATURES

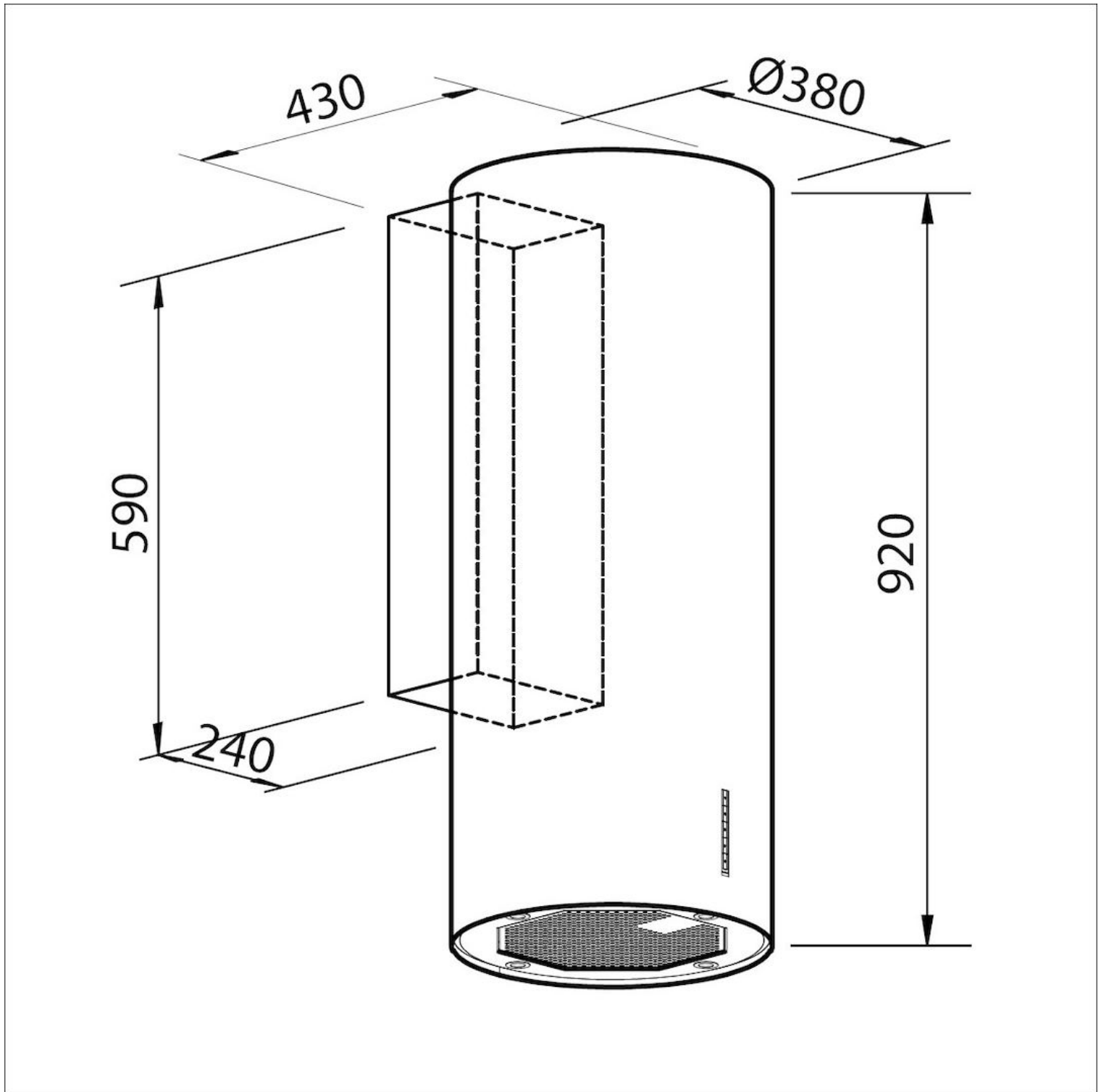
Auto delayed shutdown All the models with electronic interface can be programmed to turn off the suction at a postponed moment, so as to prolong the aeration of the room even after the cooking has been completed.

Brushless motor State-of-the-art Brushless motors allow high air flow rates while maintaining a low energy consumption. Furthermore, they have an almost never-ending duration.

Led lighting Particular attention to energy saving with LED lighting systems. They assure a 10 times lower consumption and a 10 times longer duration. Our LED lights are designed to create an adequate comfort and safety in the cooking area.

Steel filters Where the filter is in plain sight, the aluminium filtering element is covered in stainless steel. This solution improves the look and increases the durability of the product.

TECHNICAL DATA



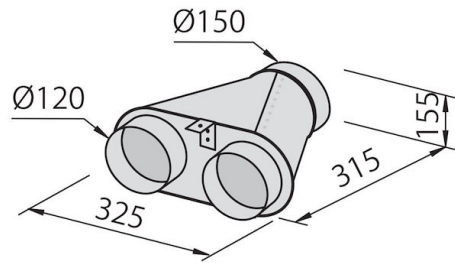
GALLERY



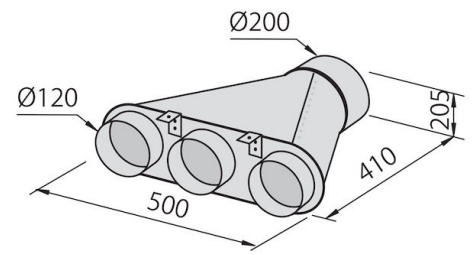
OPTIONAL ACCESSORIES



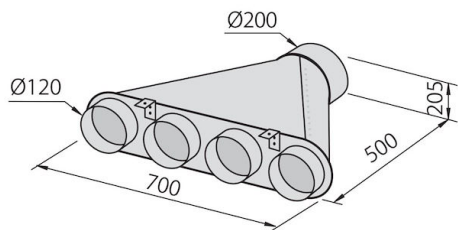
Carbon filter



Collector for 2 pipes



Collector for 3 pipes



Collector for 4 pipes



Flexible silencing canalization



Flexible silencing canalization