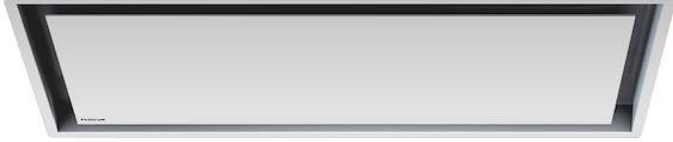


Hood Peraria White

Hoods

Code: 2522 111



DETAILS

Material Stainless steel

Texture Painted

Coloring White

Energy class A++

Hood type Ceiling suction hood

Built-in hole 476 x 976 mm

Air exhaust hole 222 x 90 mm

Ceiling – false ceiling distance min 184 mm / max 250 mm

Motors Brushless

Motor power 165 W

Suction speed 4 operating speeds

Type of commands Remote control

Operation Suction hood (filtering mode with optional carbon filters)

Grease filters 2 grease filters

Notes: Optional:
Carbon filter code 9700 592

FEATURES

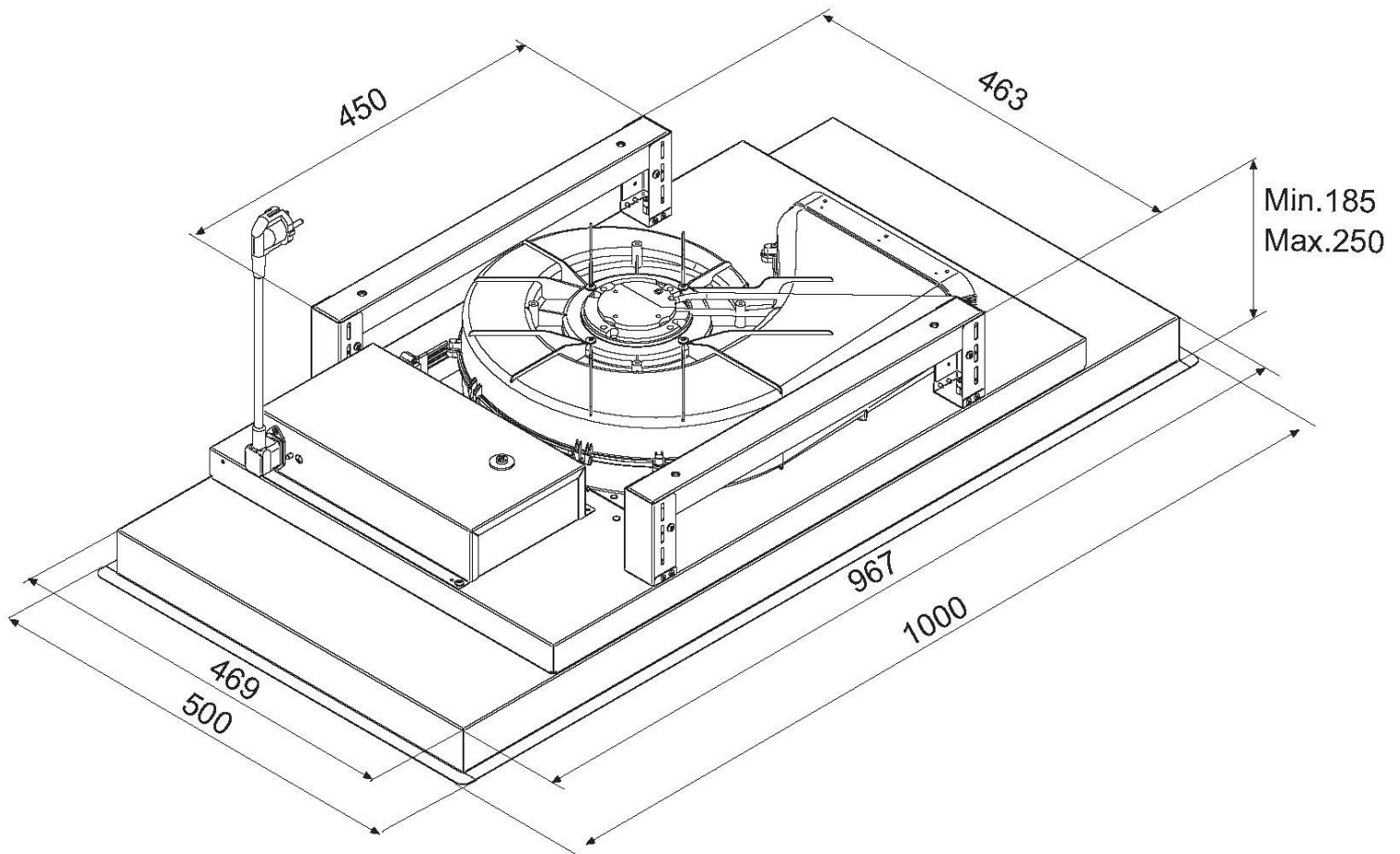
Brushless motor State-of-the-art Brushless motors allow high air flow rates while maintaining a low energy consumption. Furthermore, they have an almost never-ending duration.

Minimum overall Foster ceiling-mount ventilation systems require little space. The icon appears next to models that require less than 20 cm between the concrete ceiling and the countertop.

Perimetric aspiration The perimeter suction is a feature common to many Foster hoods. The filters are hidden by steel- or crystal plates and the suction occurs along their perimeter. This has aesthetic advantages but also functional ones: the cleaning is easier, the suction power and noise-level are improved. The depression which occurs in the perimeter area facilitates in fact the suction of the particles composing the fumes.

Remote control The ceiling suction systems and the Maya hoods are equipped with a remote control to easily activate all their functions from any position.

TECHNICAL DATA



GALLERY



OPTIONAL ACCESSORIES



White tube - rectangular section
9700 532



White connector - rectangular section
9700 533



White Horizontal 90° Corner connector - rectangular section
9700 534



White Vertical 90° Corner connector - rectangular section
9700 535



Horizontal 15° Corner connector - rectangular section
9700 536