

## Hood Garage 2515 \_\_0

Hoods

Code: 2515 \_\_0

Code: 2515 060 - 60 cm

Code: 2515 120 - 120 cm



### DETAILS

Texture	Satin
Material	Stainless steel
Energy class	A
Product details	Disappearance
Grease filters	Grease filters in stainless steel: 1 filter for 60 cm hood, 3 filters for 90 cm hood, 4 filters for 120 cm hood
Operation	Suction hood (filtering mode with optional carbon filters)
Air exhaust hole	ø 120/150 mm
Lighting	LED lighting (4.000 kelvin)
Air flow rate	800mc/h

Motor power 275W

---

Hood type Wall-mounted suction hood

---

Type of commands Easy electronic controls

---

Suction speed 4 operating speeds

---

Notes: Fume exhaust ducts must have an internal diameter not lower than 120 mm

---

## FEATURES

**Steel filters** Where the filter is in plain sight, the aluminium filtering element is covered in stainless steel. This solution improves the look and increases the durability of the product.

---

**Led lighting** Particular attention to energy saving with LED lighting systems. They assure a 10 times lower consumption and a 10 times longer duration. Our LED lights are designed to create an adequate comfort and safety in the cooking area.

---

**Retro mode exit** The motor can be rotated by 90°. In consequence the air outlet can be directed towards the back, the classical solution, but also toward the wall, with direct exit towards a specifically foreseen duct. With this kind of installation the chimney is therefore no longer necessary and is, in consequence, supplied as an option.

---

**Balanced suction system** This feature, exclusively available on Foster hoods, improves the suction uniformity on the whole surface, thanks to a specific, irregular perforation pattern that compensates the loss of suction power in the terminal tracts. It is particularly efficient in the island hoods and in the wall hoods of large size (120 cm).

---

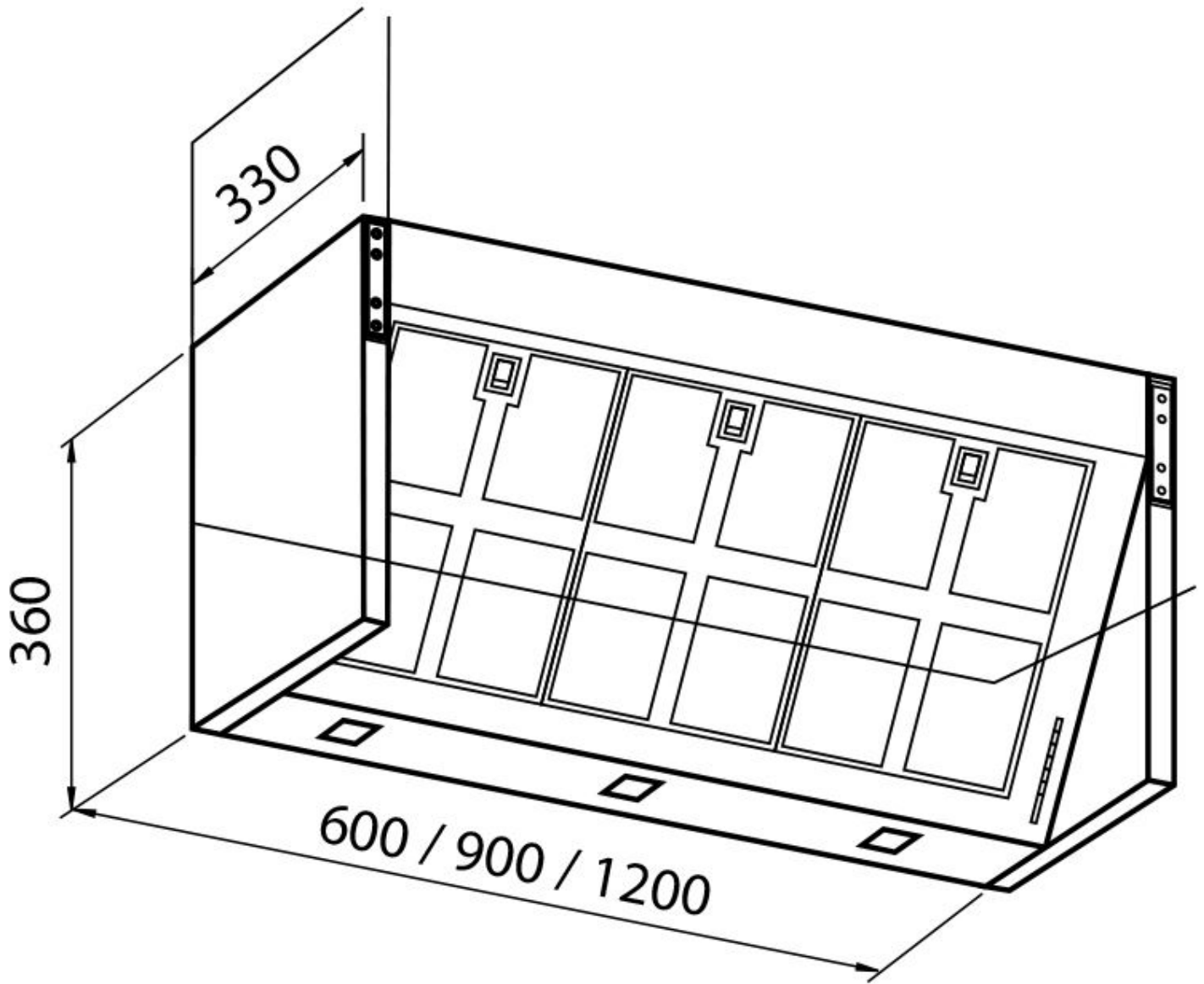
**Safe&clean system** The Safe&Clean system features a stainless steel panel installed between the hood's filters and motor. The panel constitutes a flat and easy-to-clean surface, it improves the suction homogeneity on the whole surface and is also an efficient safety system because it prevents the fan and electronic parts from being easily accessible.

---

**Auto delayed shutdown** All the models with electronic interface can be programmed to turn off the suction at a postponed moment, so as to prolong the aeration of the room even after the cooking has been completed.

---

## TECHNICAL DATA



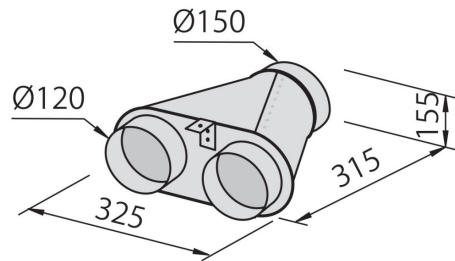
## GALLERY



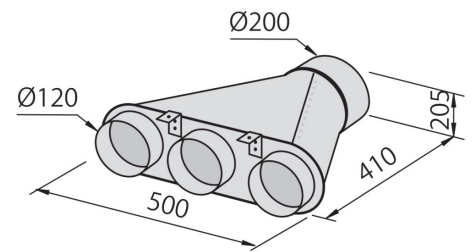
## OPTIONAL ACCESSORIES



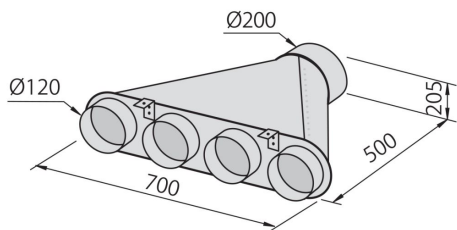
Carbon filter 9700 601



Collector for 2 pipes 2523 000



Collector for 3 pipes 2524 000



Collector for 4 pipes 2525 000



Flexible silencing canalization  
9700 602



Flexible silencing canalization  
9700 603