

## Hood Flat black 2513 661

Hoods

Code: 2513 661

Code: 2513 661 60 cm



### DETAILS

Coloring Black

Material Glass

Energy class A

Product details Undercabinet with optional telescopic chimney and stainless engine-cover

Grease filters 1 grease filtre

Operation Suction hood (filtering mode with optional carbon filters)

Air exhaust hole  $\varnothing$  120/150 mm

Lighting Strip LED lighting (4.200 kelvin)

Air flow rate 750mc/h

Motor power 275W

---

Hood type Built-in suction hood

---

Type of commands Touch Control

---

Suction speed 4 operating speeds

---

Notes: Fume exhaust ducts must have an internal diameter not lower than 120 mm

---

## FEATURES

**Auto delayed shutdown** All the models with electronic interface can be programmed to turn off the suction at a postponed moment, so as to prolong the aeration of the room even after the cooking has been completed.

---

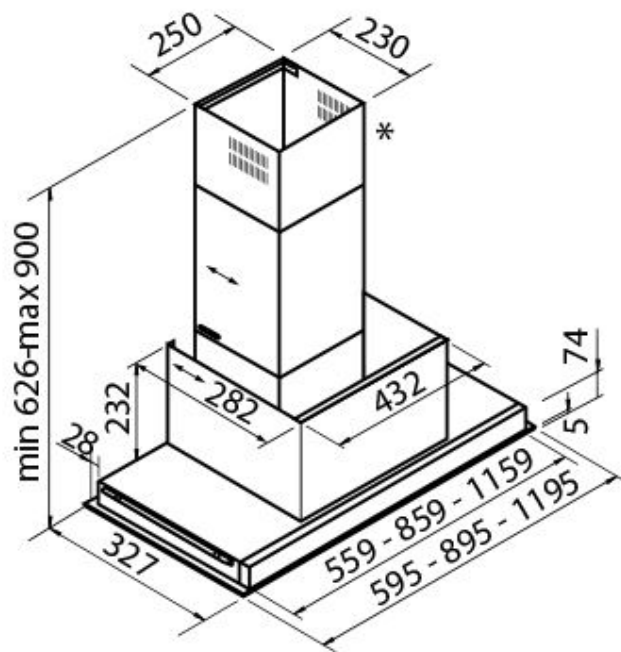
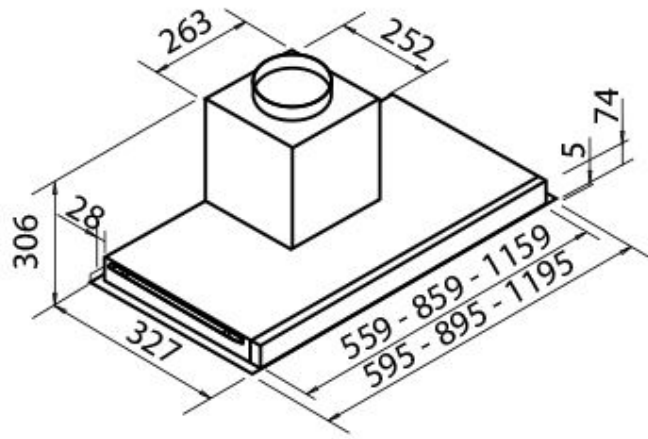
**Led lighting** Particular attention to energy saving with LED lighting systems. They assure a 10 times lower consumption and a 10 times longer duration. Our LED lights are designed to create an adequate comfort and safety in the cooking area.

---

**Perimetric aspiration** The perimeter suction is a feature common to many Foster hoods. The filters are hidden by steel- or crystal plates and the suction occurs along their perimeter. This has aesthetic advantages but also functional ones: the cleaning is easier, the suction power and noise-level are improved. The depression which occurs in the perimeter area facilitates in fact the suction of the particles composing the fumes.

---

## TECHNICAL DATA



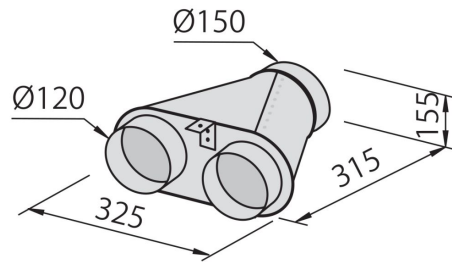
## GALLERY



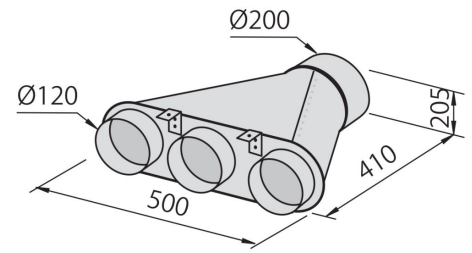
## OPTIONAL ACCESSORIES



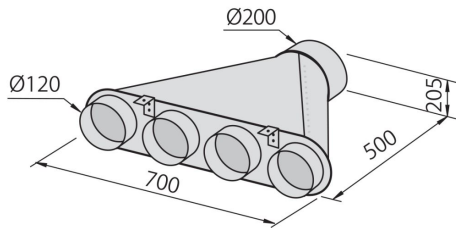
Carbon filter 9700 600



Collector for 2 pipes 2523 000



Collector for 3 pipes 2524 000



Collector for 4 pipes 2525 000



Flexible silencing canalization  
9700 602



Flexible silencing canalization  
9700 603



Stainless steel motor cover box  
2539 200



Stainless steel telescopic  
chimney 2539 000