

Hood Flat white

Hoods

Code: 2513 191



DETAILS

Coloring White

Material Glass

Energy class A

Product details Undercabinet with optional telescopic chimney and stainless engine-cover

Grease filters Grease filters: 1 filtre for 60 cm hood, 2 filters for 90 cm hood, 4 filters for 120 cm hood

Operation Suction hood (filtering mode with optional carbon filters)

Air exhaust hole \varnothing 120/150 mm

Lighting Strip LED lighting (4.200 kelvin)

Air flow rate 750mc/h

Motor power 275W

Hood type Built-in suction hood

Type of commands Touch Control

Suction speed 4 operating speeds

Notes: Fume exhaust ducts must have an internal diameter not lower than 120 mm

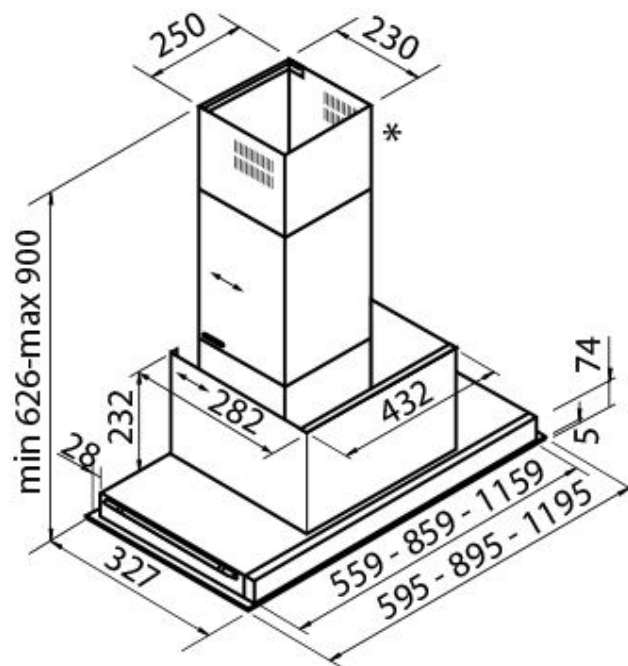
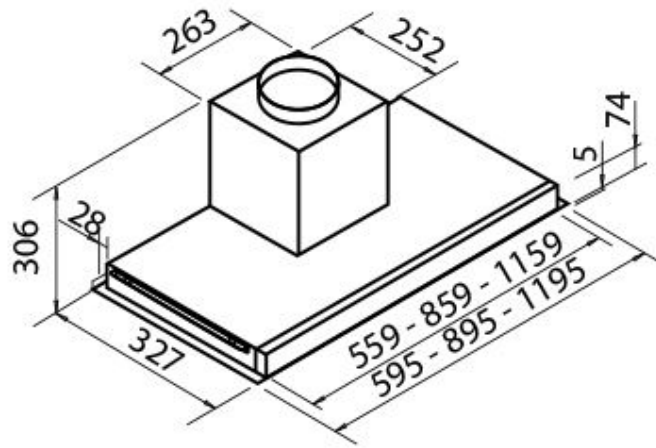
FEATURES

Auto delayed shutdown All the models with electronic interface can be programmed to turn off the suction at a postponed moment, so as to prolong the aeration of the room even after the cooking has been completed.

Led lighting Particular attention to energy saving with LED lighting systems. They assure a 10 times lower consumption and a 10 times longer duration. Our LED lights are designed to create an adequate comfort and safety in the cooking area.

Perimetric aspiration The perimeter suction is a feature common to many Foster hoods. The filters are hidden by steel- or crystal plates and the suction occurs along their perimeter. This has aesthetic advantages but also functional ones: the cleaning is easier, the suction power and noise-level are improved. The depression which occurs in the perimeter area facilitates in fact the suction of the particles composing the fumes.

TECHNICAL DATA



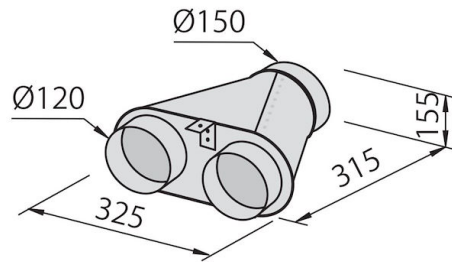
GALLERY



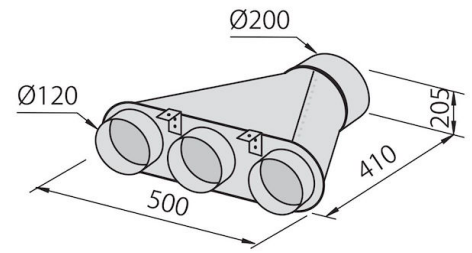
OPTIONAL ACCESSORIES



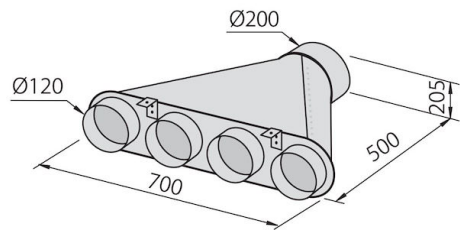
Carbon filter



Collector for 2 pipes



Collector for 3 pipes



Collector for 4 pipes



Flexible silencing canalization



Flexible silencing canalization



Stainless steel motor cover box



Stainless steel telescopic chimney