

Hood Q inox wall



Hoods

Code: 2510 090

90 cm



DETAILS

Material Stainless steel

Texture Brushed in line

Energy class A

Grease filters Grease filters in stainless steel: 1 filtre for 60 cm hood, 2 filters for 90 cm hood

Operation Suction hood (filtering mode with optional carbon filters)

Air exhaust hole \varnothing 120/150 mm

Lighting LED lighting (4.000 kelvin)

Air flow rate 790mc/h

Motor power 275W

Hood type Wall-mounted suction hood

Type of commands Easy electronic controls

Suction speed 4 operating speeds

Notes: Fume exhaust ducts must have an internal diameter not lower than 120 mm

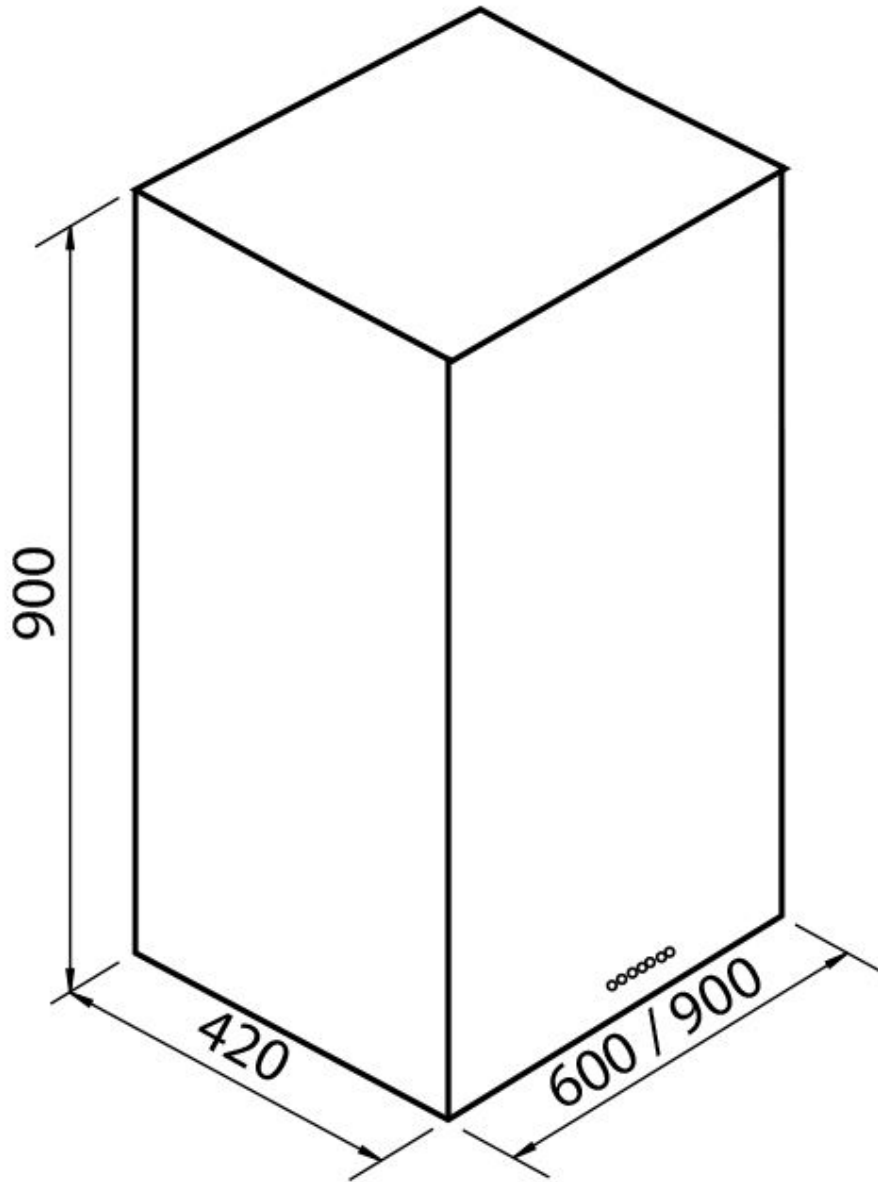
FEATURES

Auto delayed shutdown All the models with electronic interface can be programmed to turn off the suction at a postponed moment, so as to prolong the aeration of the room even after the cooking has been completed.

Led lighting Particular attention to energy saving with LED lighting systems. They assure a 10 times lower consumption and a 10 times longer duration. Our LED lights are designed to create an adequate comfort and safety in the cooking area.

Steel filters Where the filter is in plain sight, the aluminium filtering element is covered in stainless steel. This solution improves the look and increases the durability of the product.

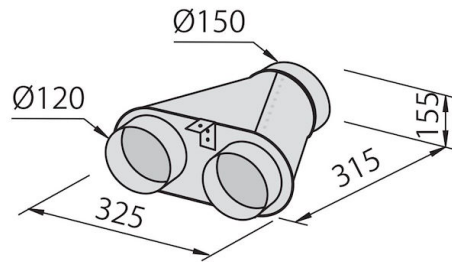
TECHNICAL DATA



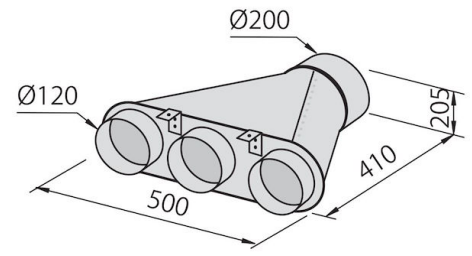
OPTIONAL ACCESSORIES



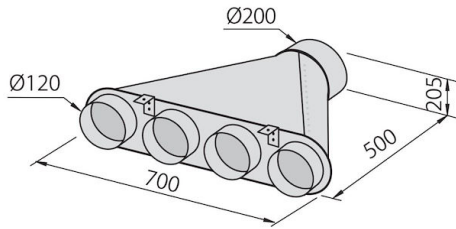
Carbon filter
9700 601



Collector for 2 pipes
2523 000



Collector for 3 pipes
2524 000



Collector for 4 pipes
2525 000



Flexible silencing canalization
9700 602



Flexible silencing canalization
9700 603